

CS 6530: Advanced Database Systems Fall 2023

# Lecture 10

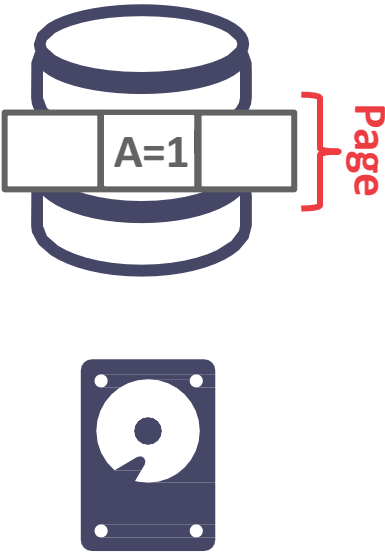
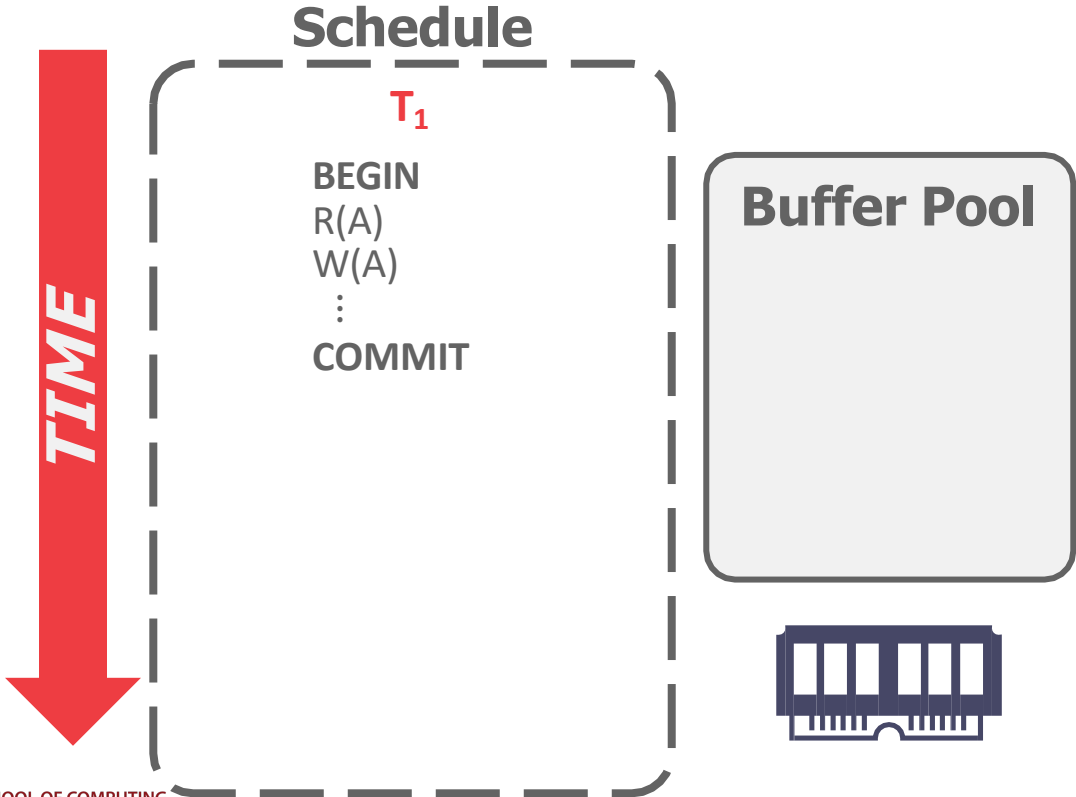
## Logging & Recovery Protocols I

Prashant Pandey

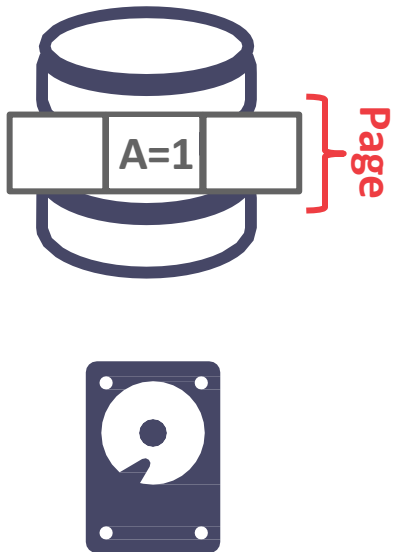
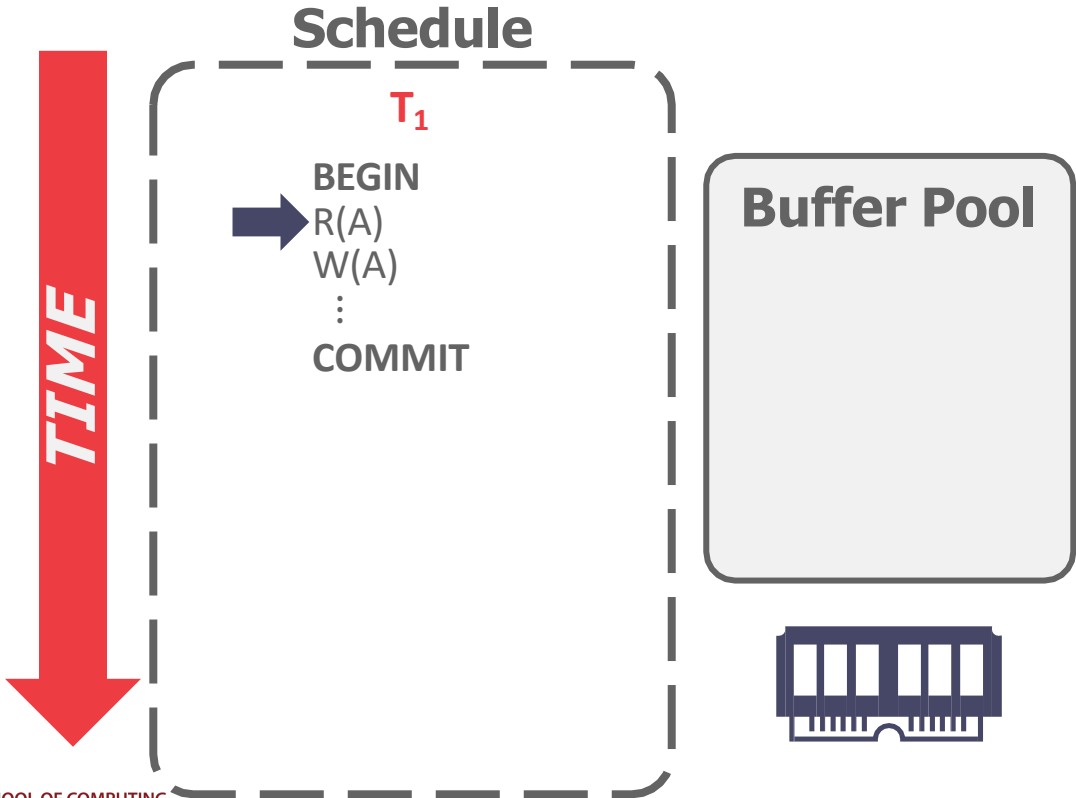
[prashant.pandey@utah.edu](mailto:prashant.pandey@utah.edu)

Acknowledgement: Slides taken from Prof. Andy Pavlo, CMU

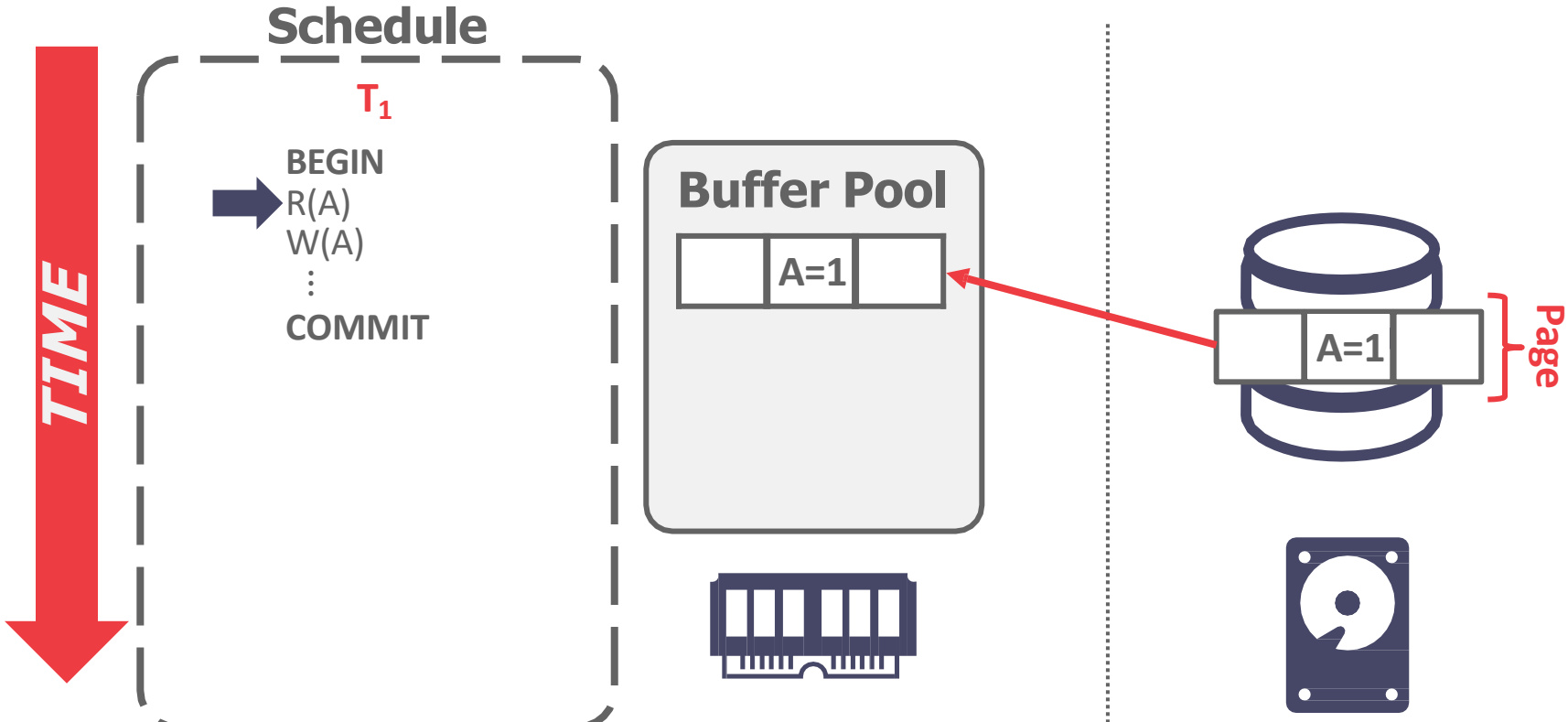
# MOTIVATION



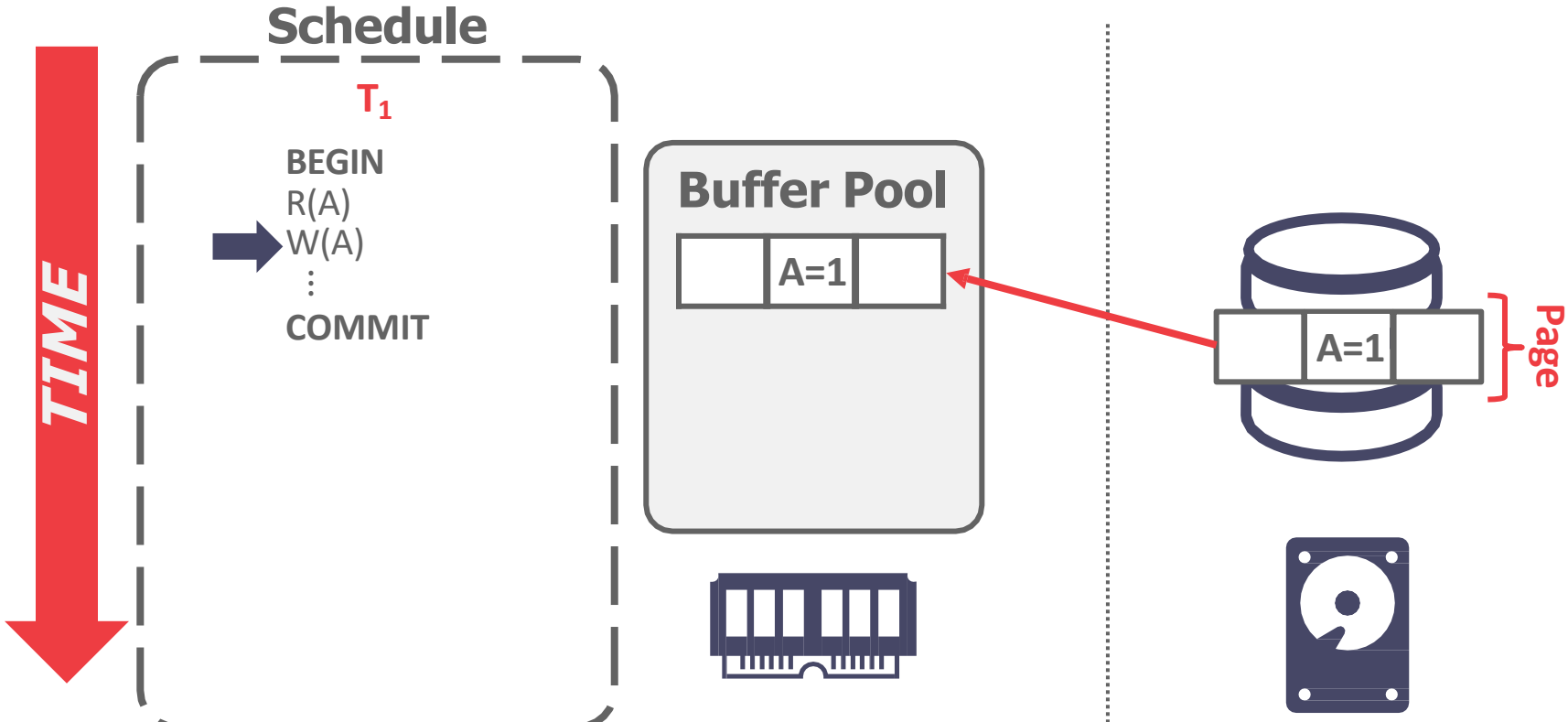
# MOTIVATION



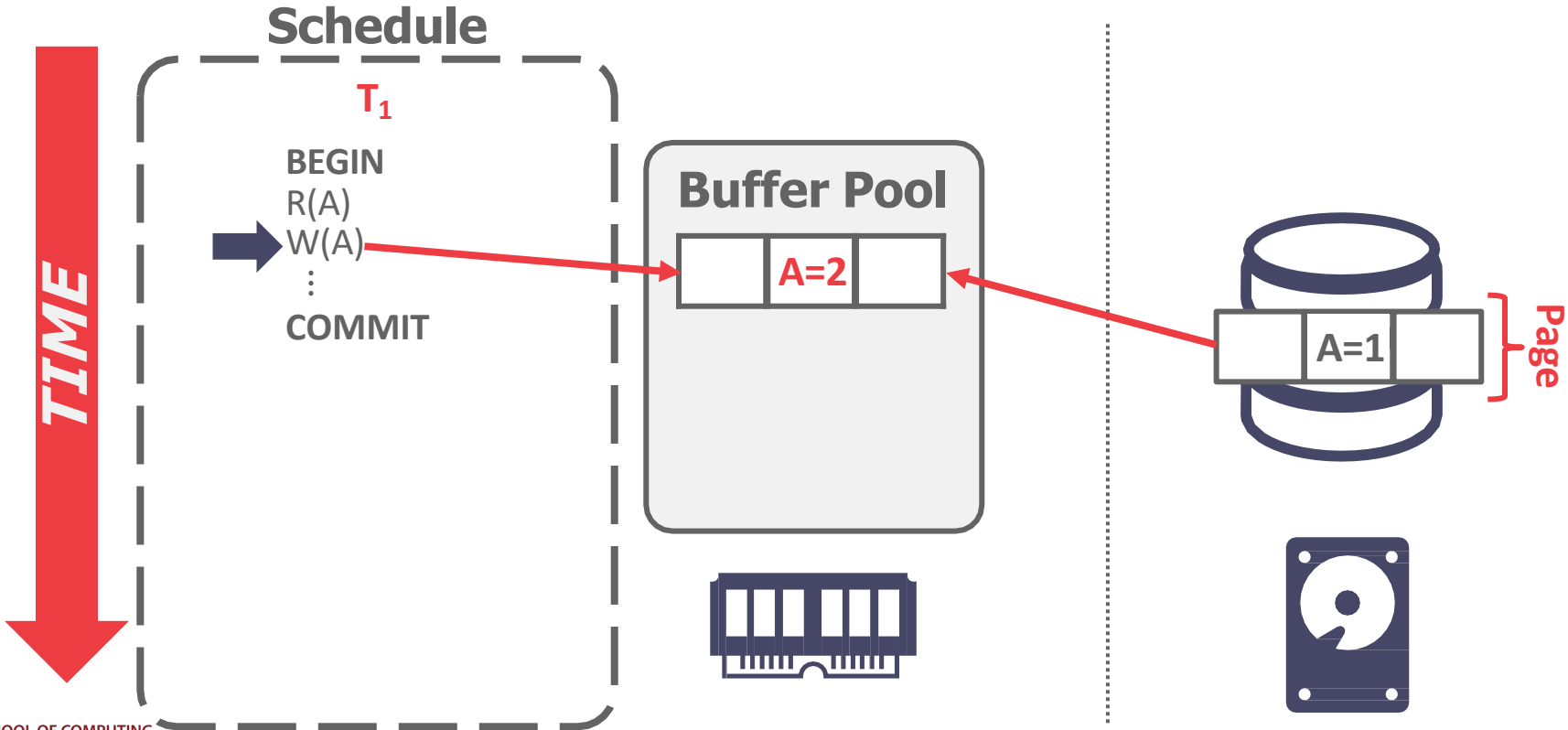
# MOTIVATION



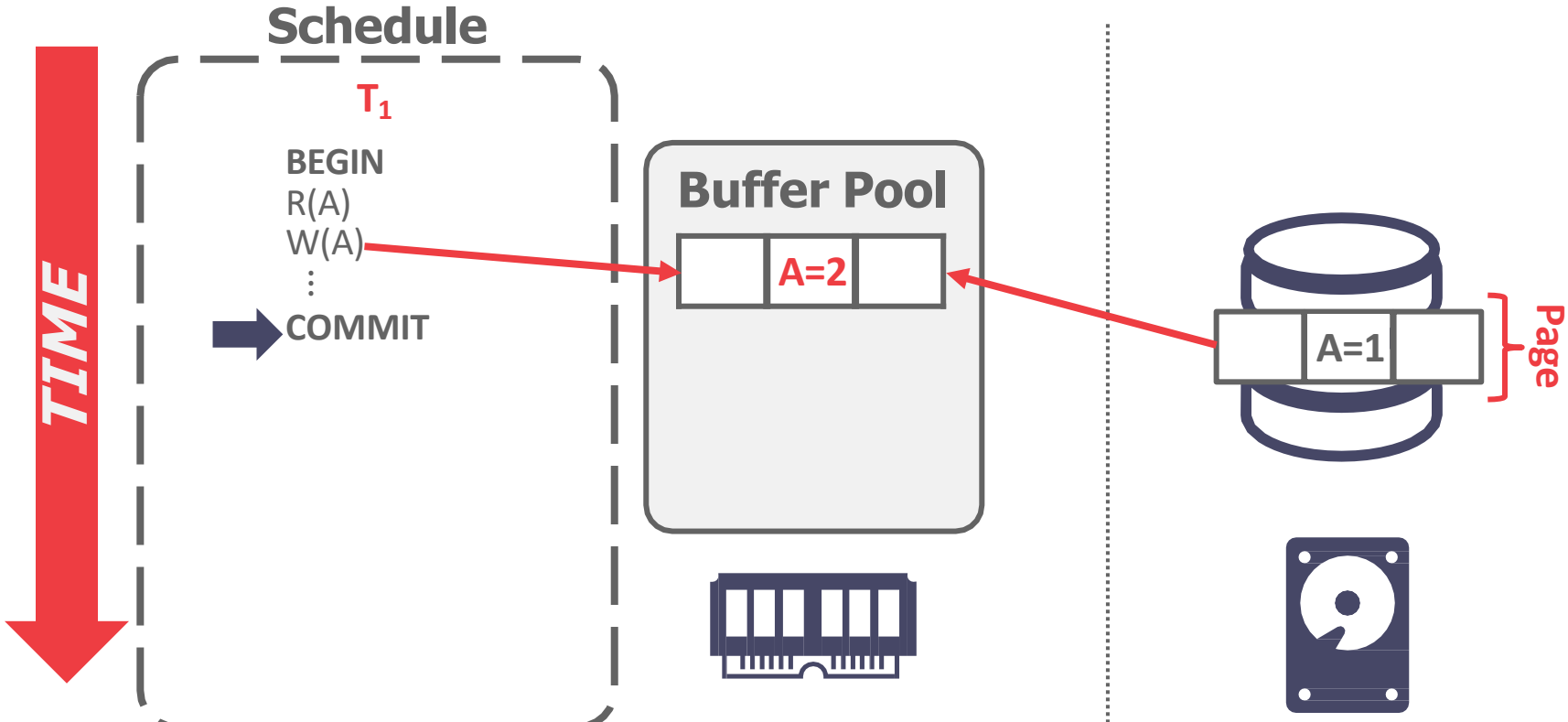
# MOTIVATION



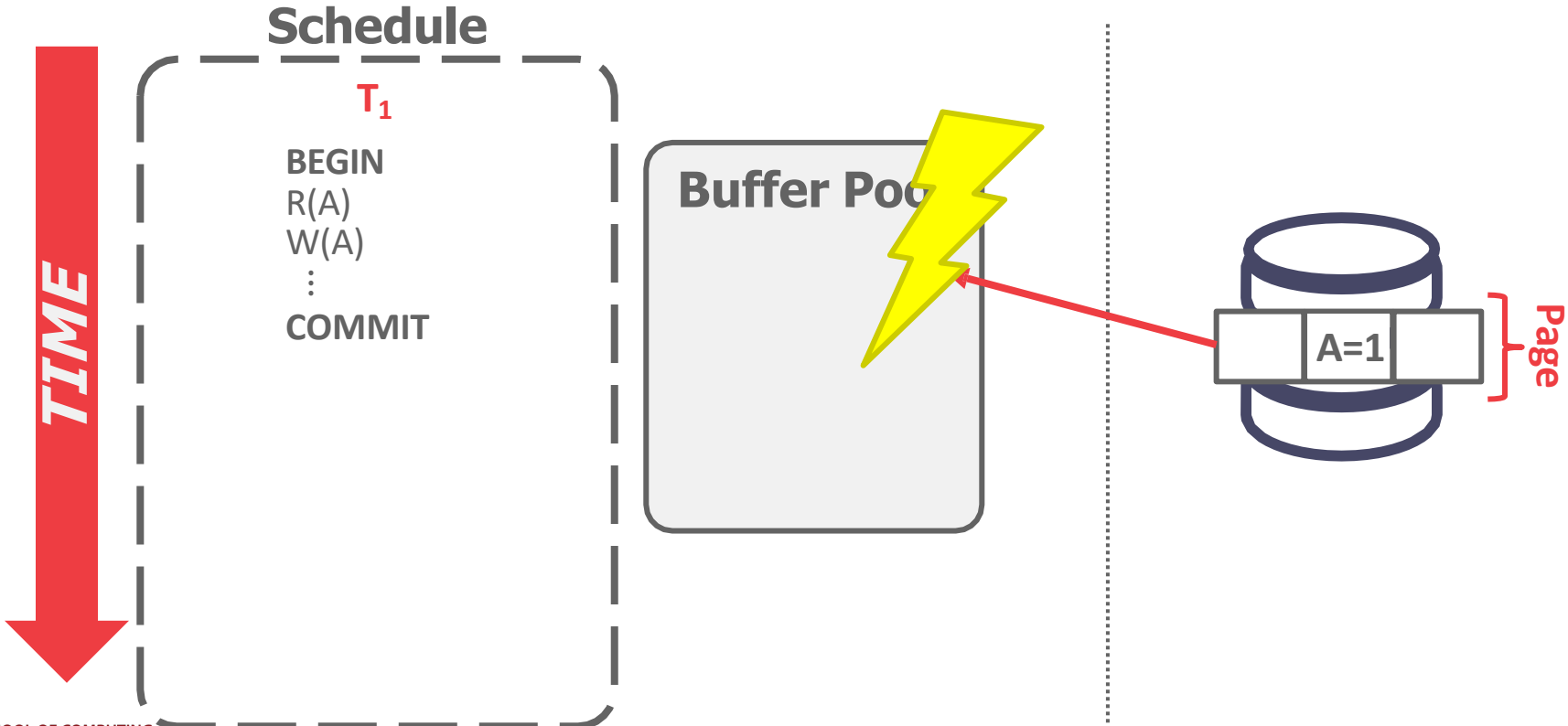
# MOTIVATION



# MOTIVATION



# MOTIVATION





# CRASH RECOVERY

Recovery algorithms are techniques to ensure database consistency, transaction atomicity, and durability despite failures.

Recovery algorithms have two parts:

- Actions during normal txn processing to ensure that the DBMS can recover from a failure.
- Actions after a failure to recover the database to a state that ensures atomicity, consistency, and durability.

## OBSERVATION

The primary storage location of the database is on non-volatile storage, but this is much slower than volatile storage.

Use volatile memory for faster access:

- First copy target record into memory.
- Perform the writes in memory.
- Write dirty records back to disk.

# TODAY'S AGENDA

Buffer Pool Policies

Write-Ahead Log

Logging Schemes

Checkpoints

# OBSERVATION

The DBMS needs to ensure the following guarantees:

- The changes for any txn are durable once the DBMS has told somebody that it committed.
- No partial changes are durable if the txn aborted.

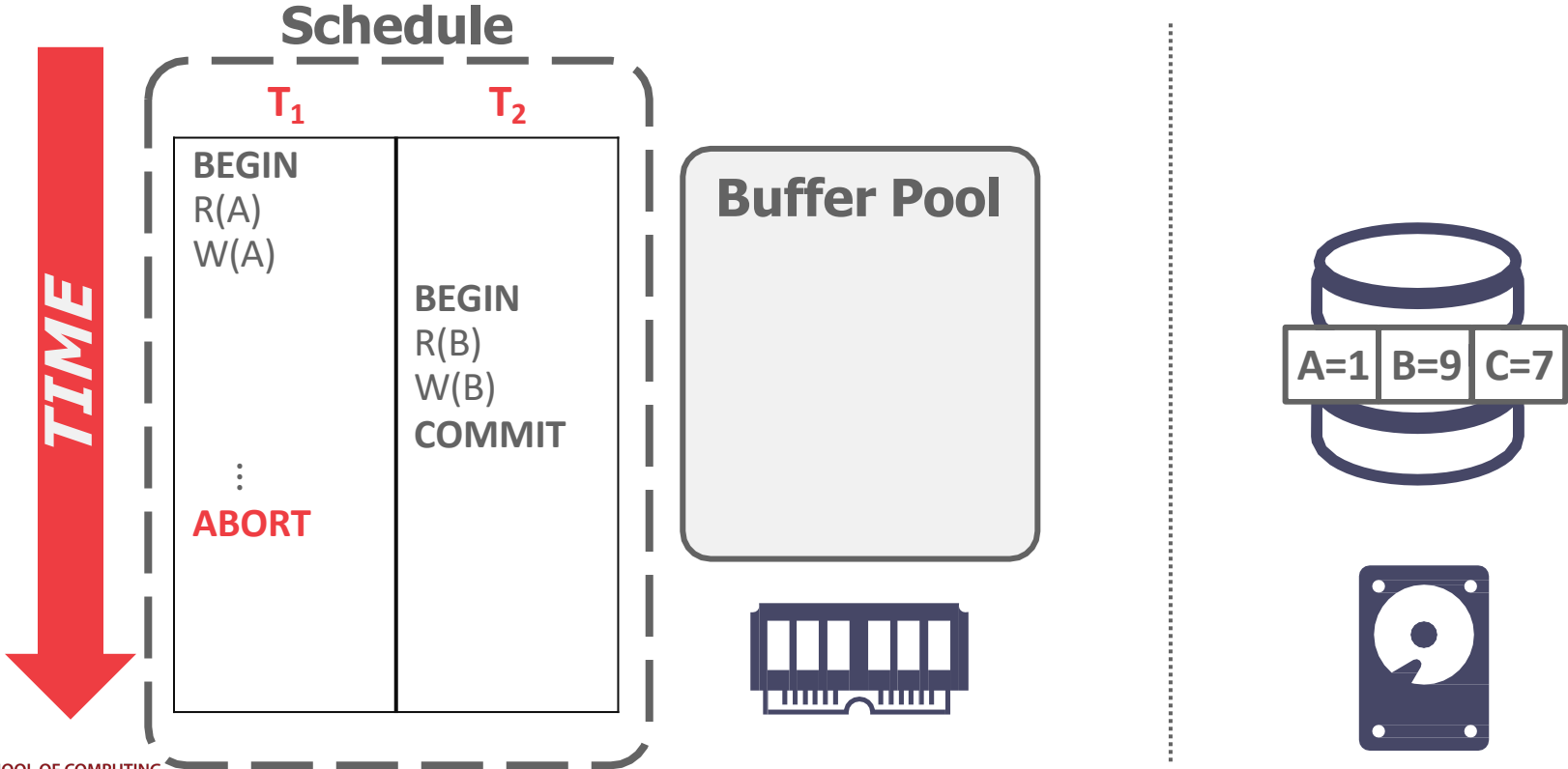
# UNDO VS. REDO

**Undo:** The process of removing the effects of an incomplete or aborted txn.

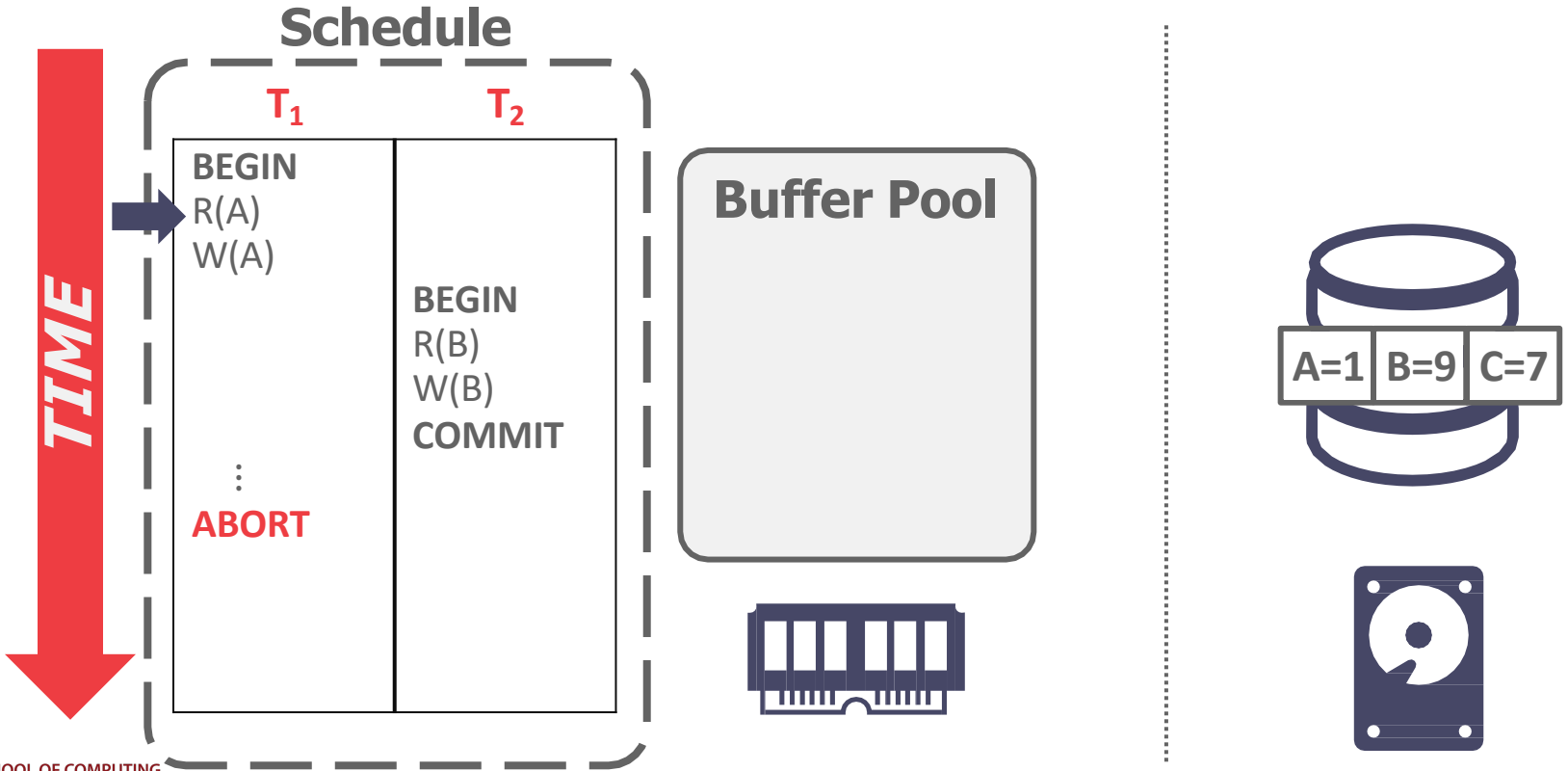
**Redo:** The process of re-instating the effects of a committed txn for durability.

How the DBMS supports this functionality depends on how it manages the buffer pool...

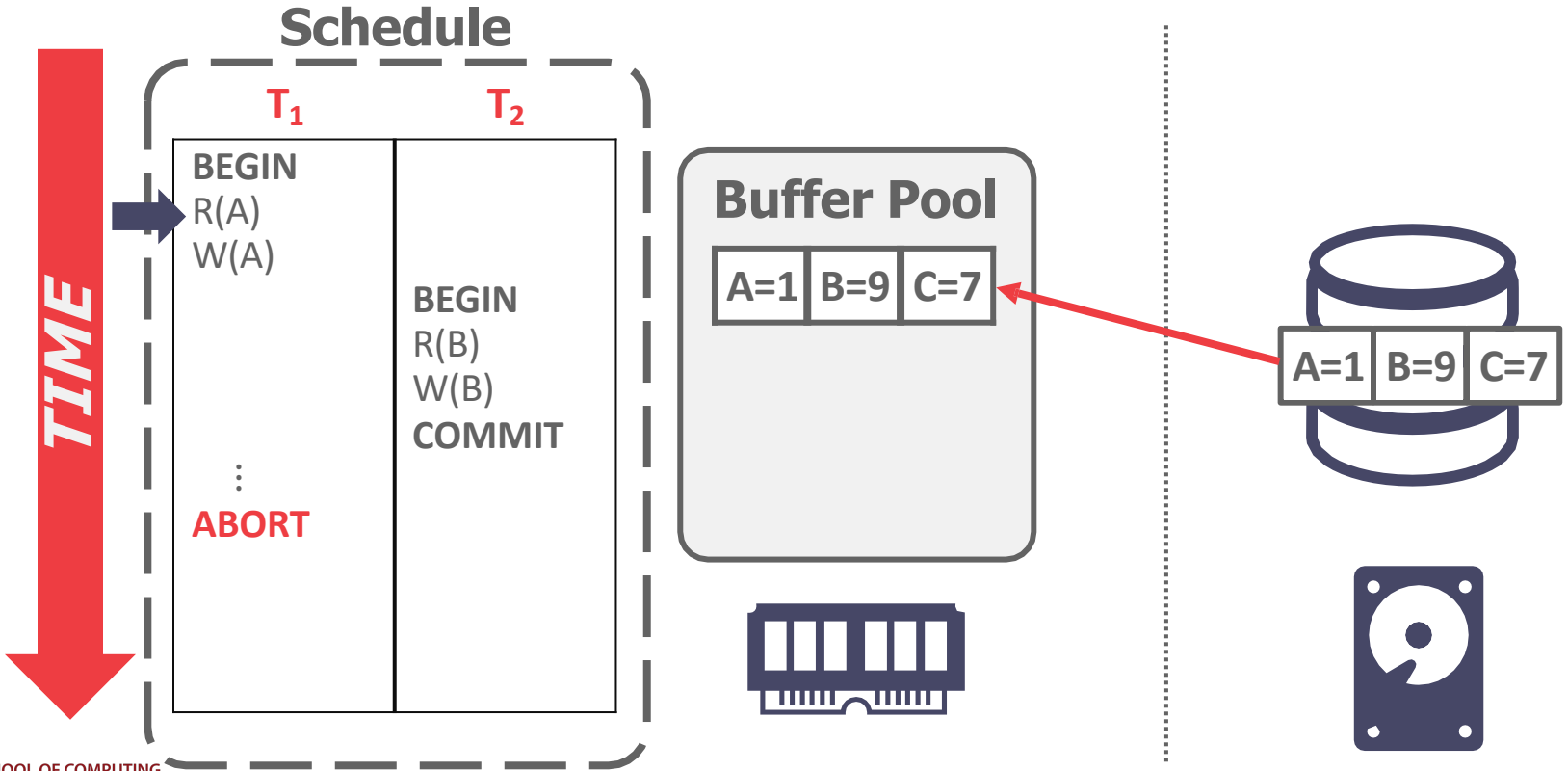
# BUFFER POOL



# BUFFER POOL

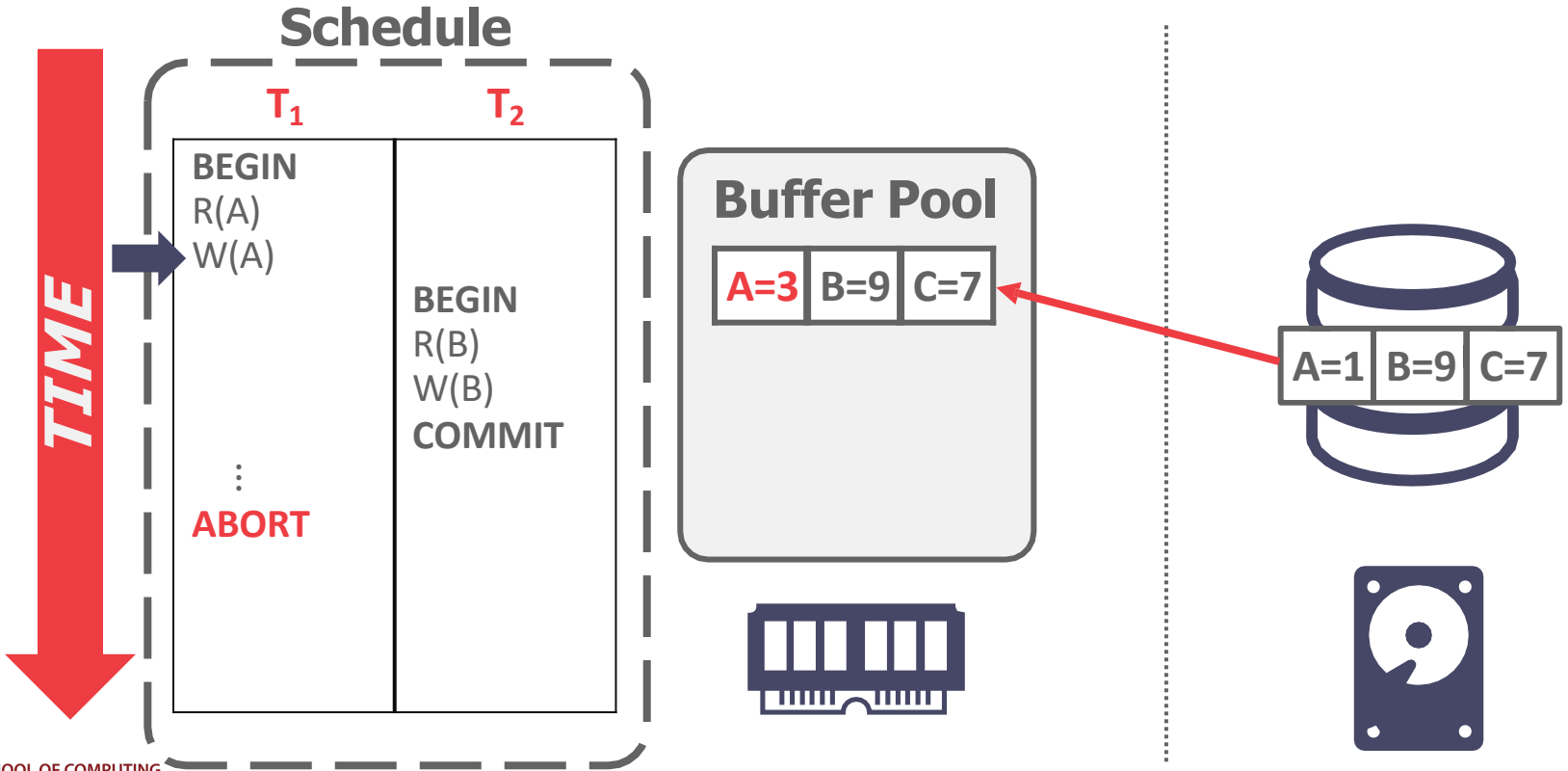


# BUFFER POOL

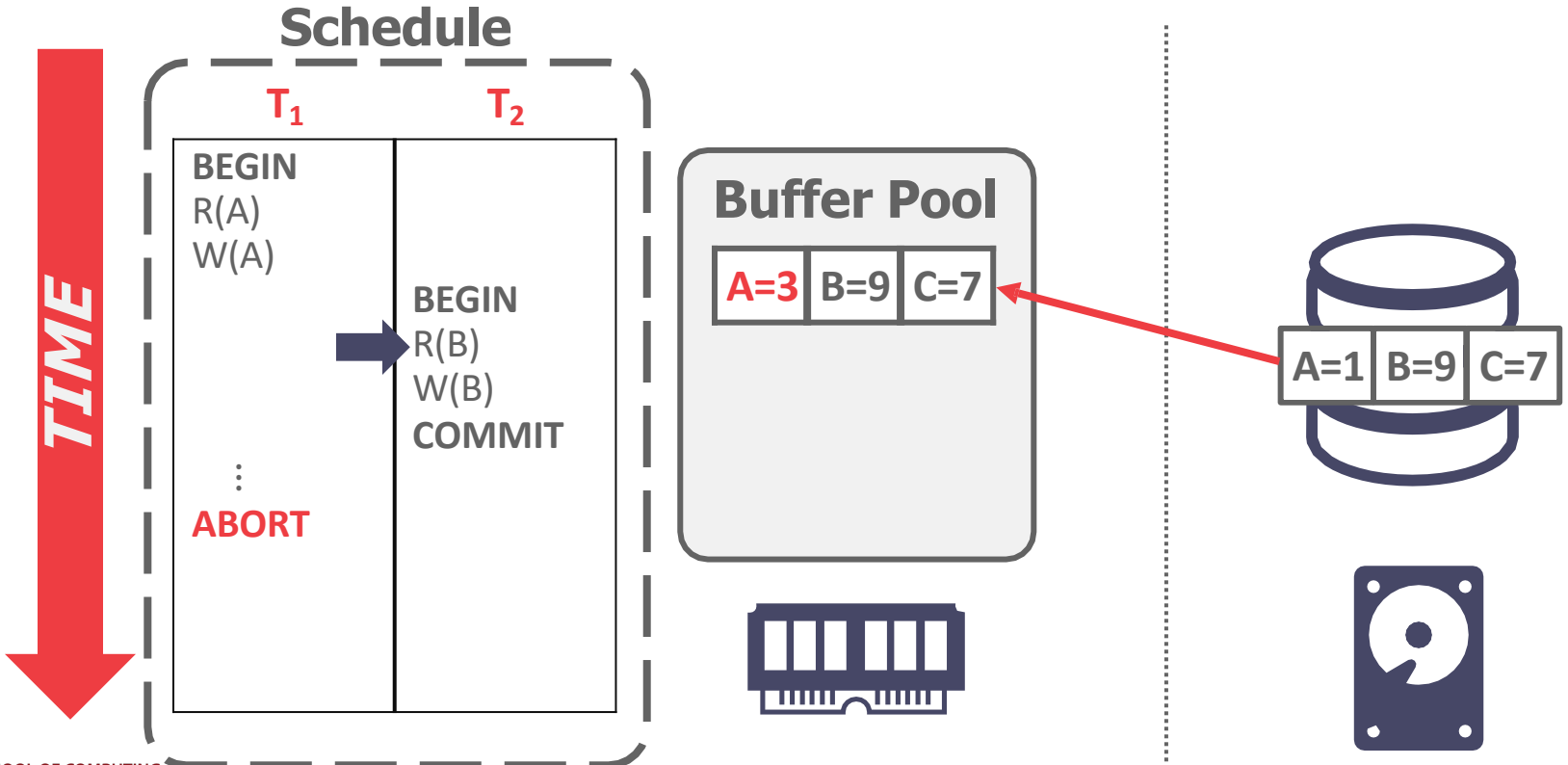




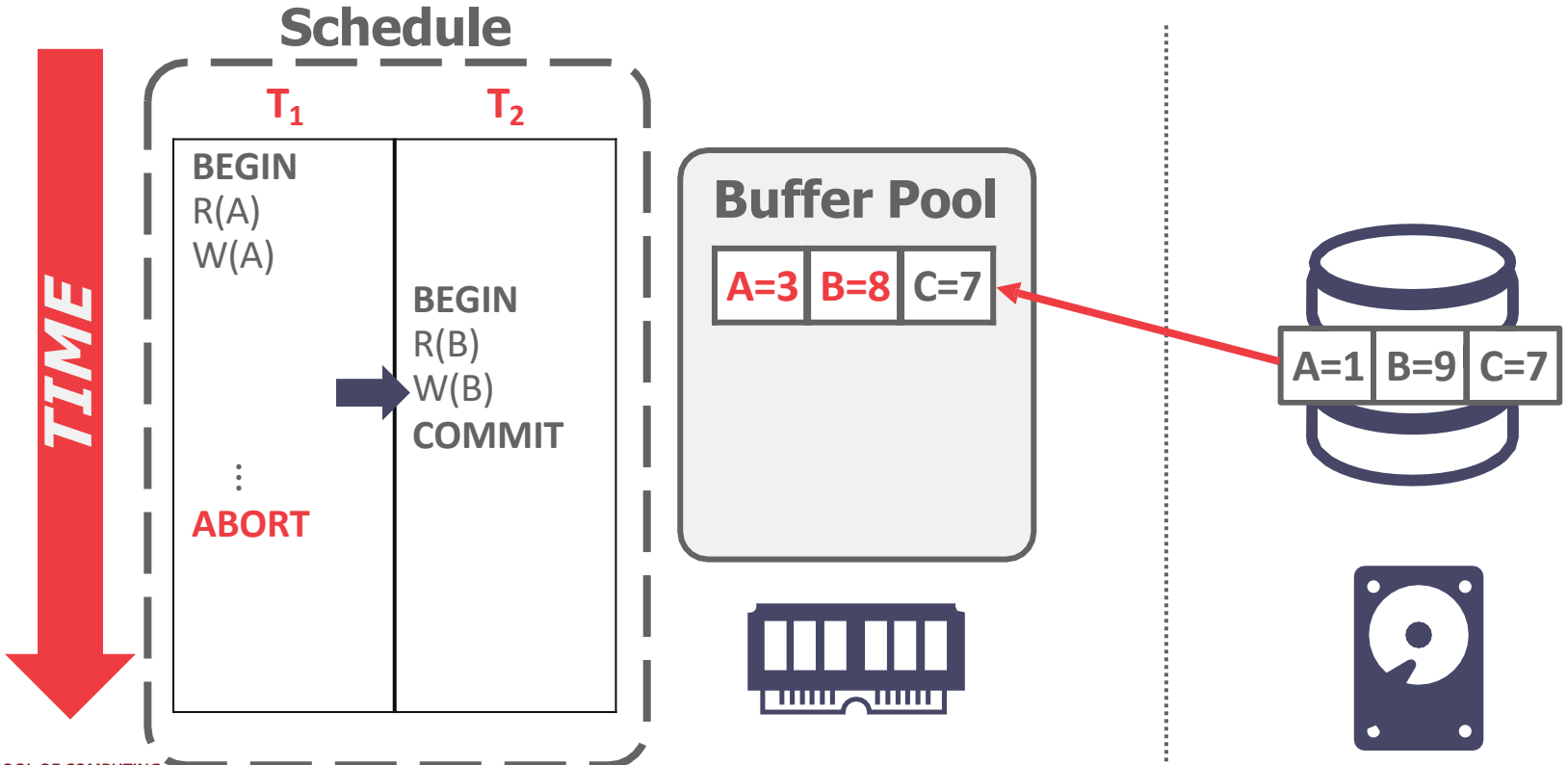
# BUFFER POOL



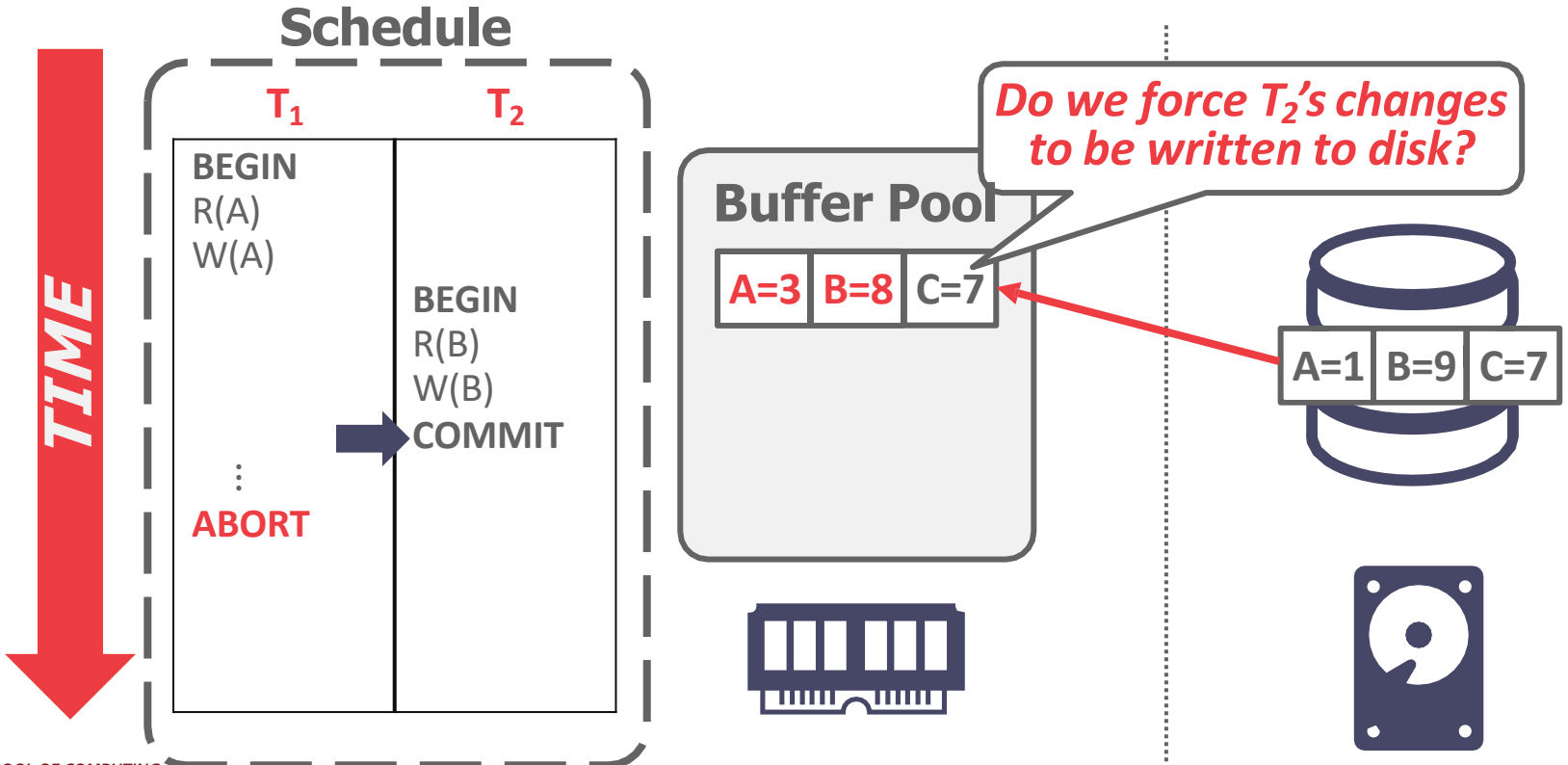
# BUFFER POOL



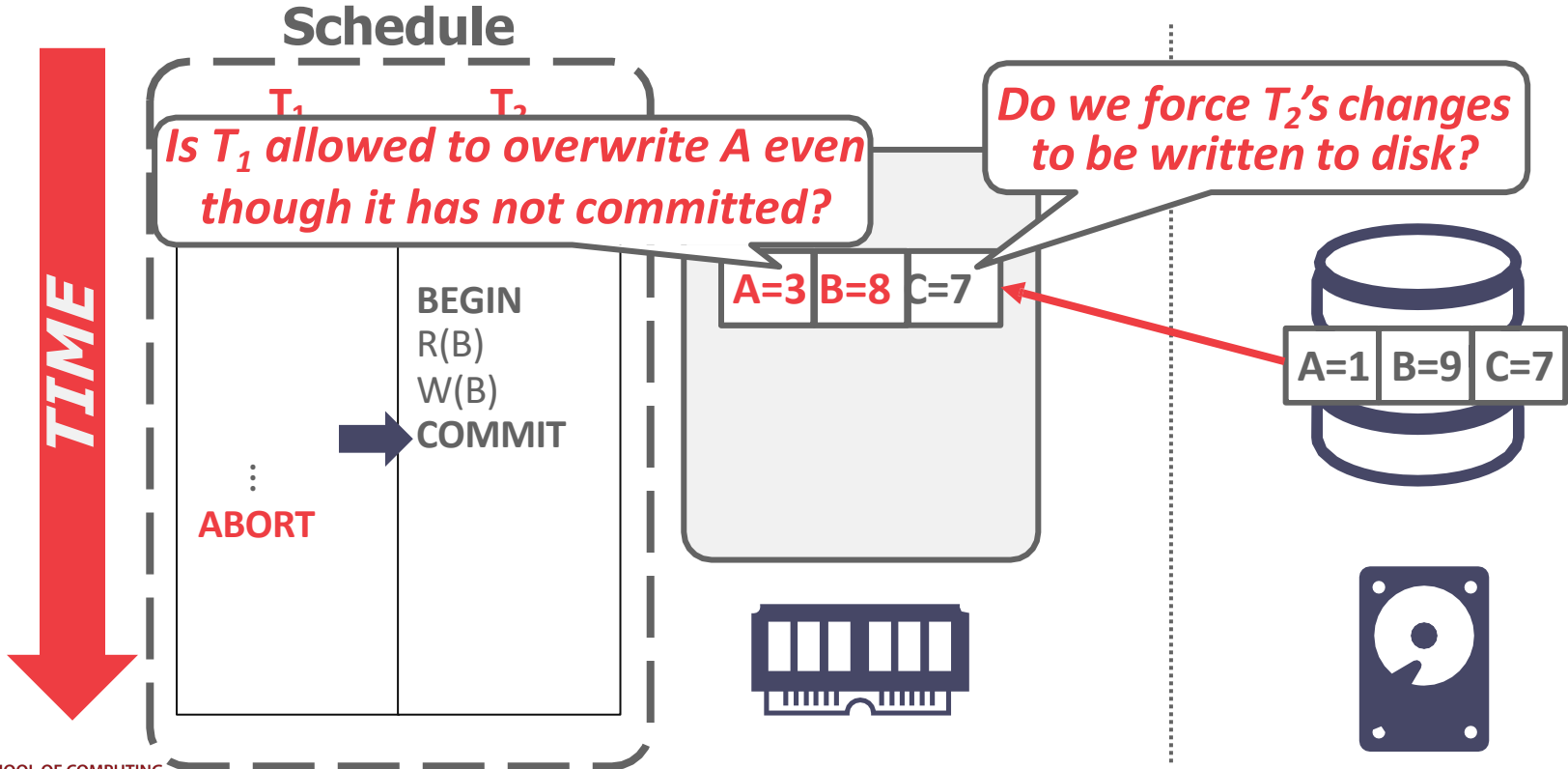
# BUFFER POOL



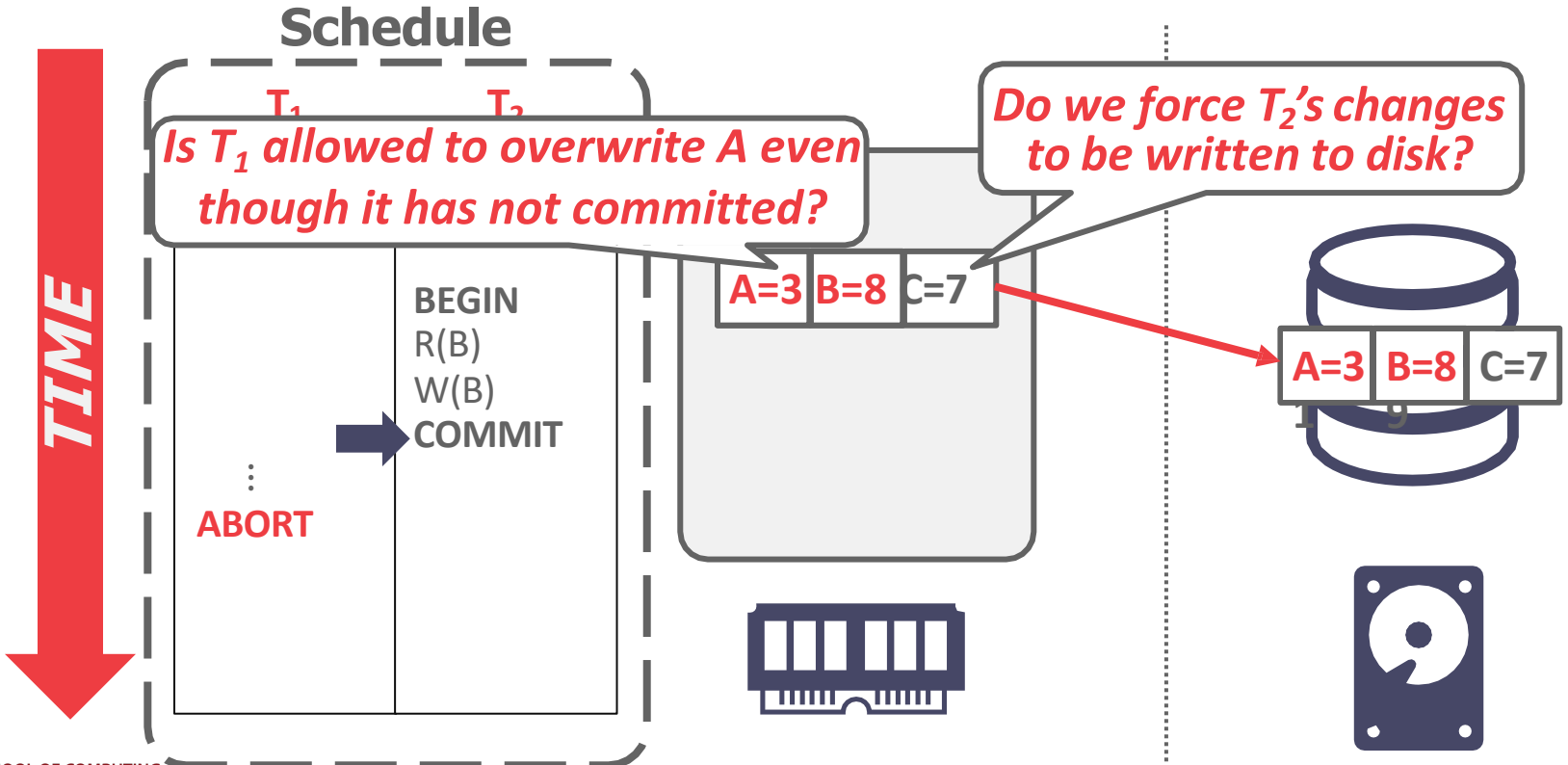
# BUFFER POOL



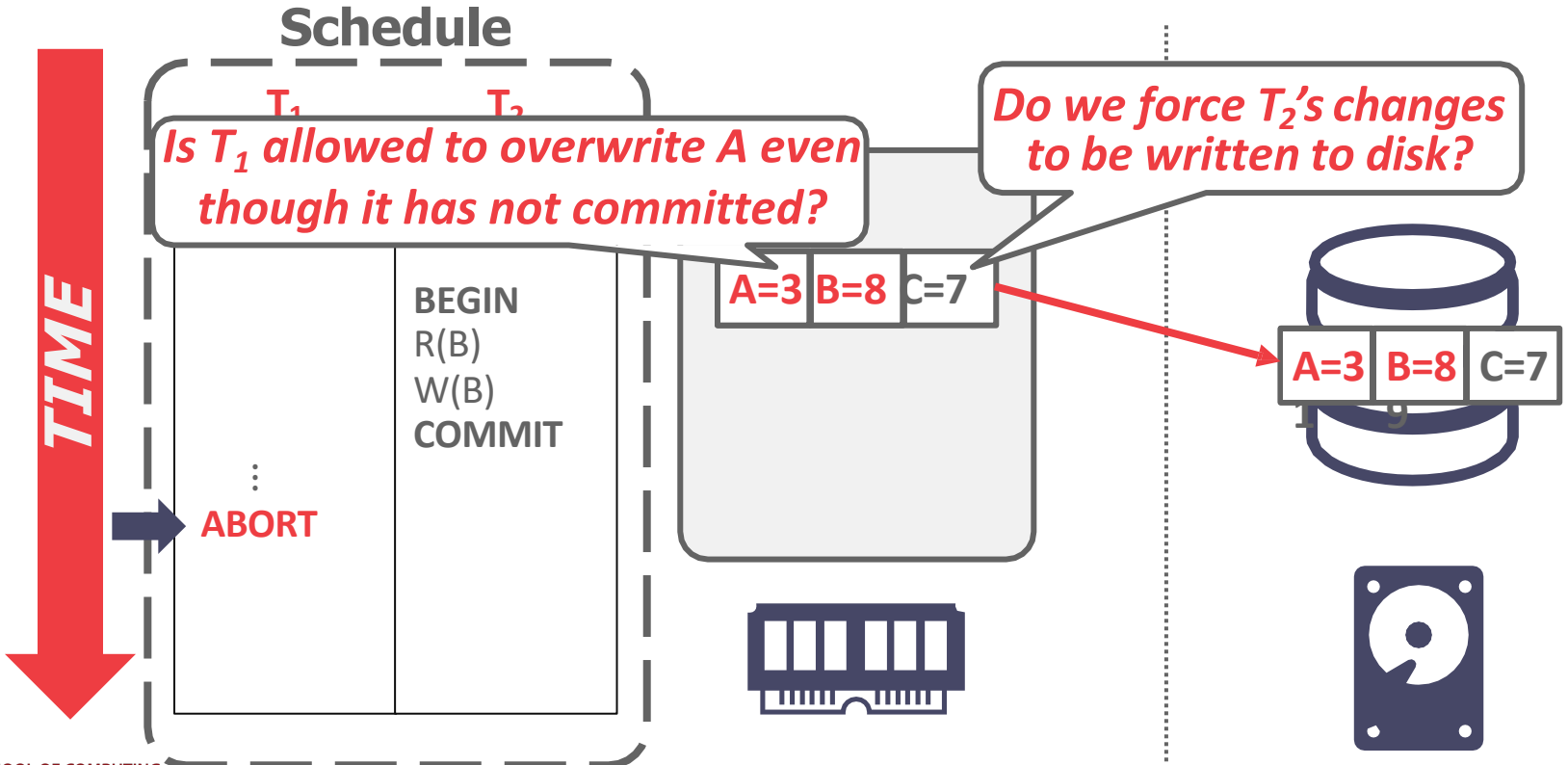
# BUFFER POOL



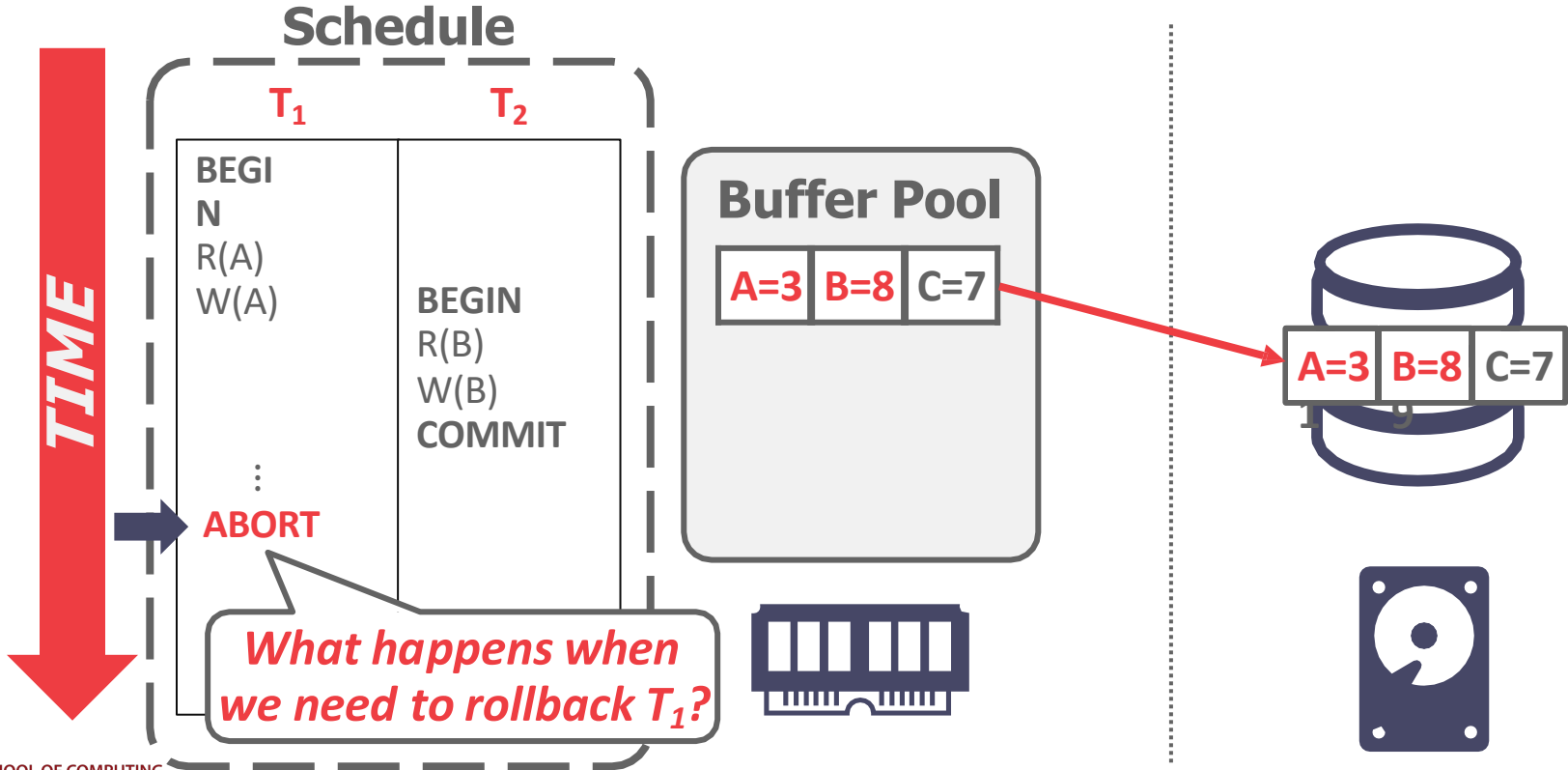
# BUFFER POOL



# BUFFER POOL



# BUFFER POOL





# STEAL POLICY

Whether the DBMS allows an uncommitted txn to overwrite the most recent committed value of an object in non-volatile storage.

**STEAL:** Is allowed.

**NO-STEAL:** Is not allowed.

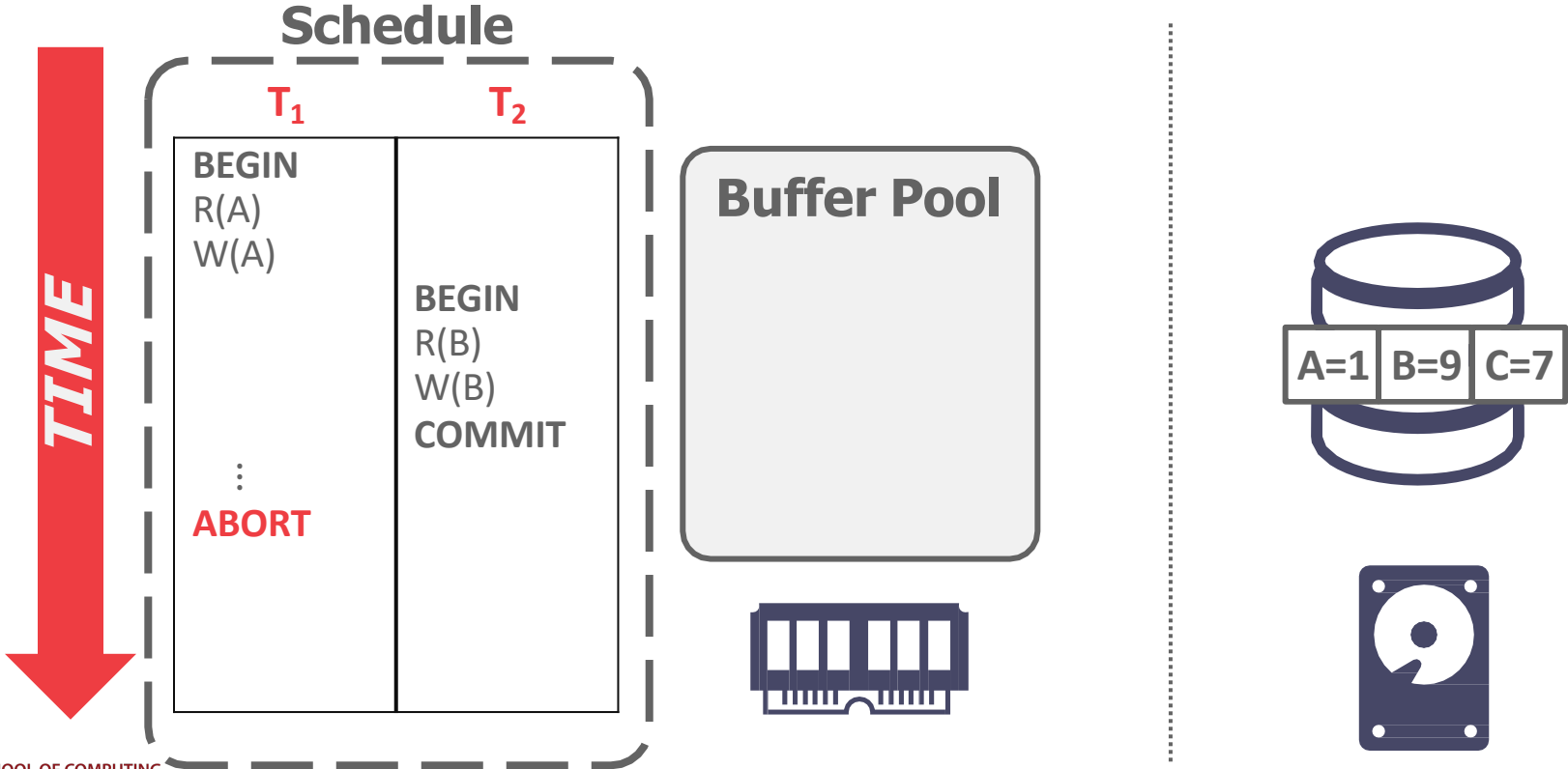
# FORCE POLICY

Whether the DBMS requires that all updates made by a txn are reflected on non-volatile storage before the txn can commit.

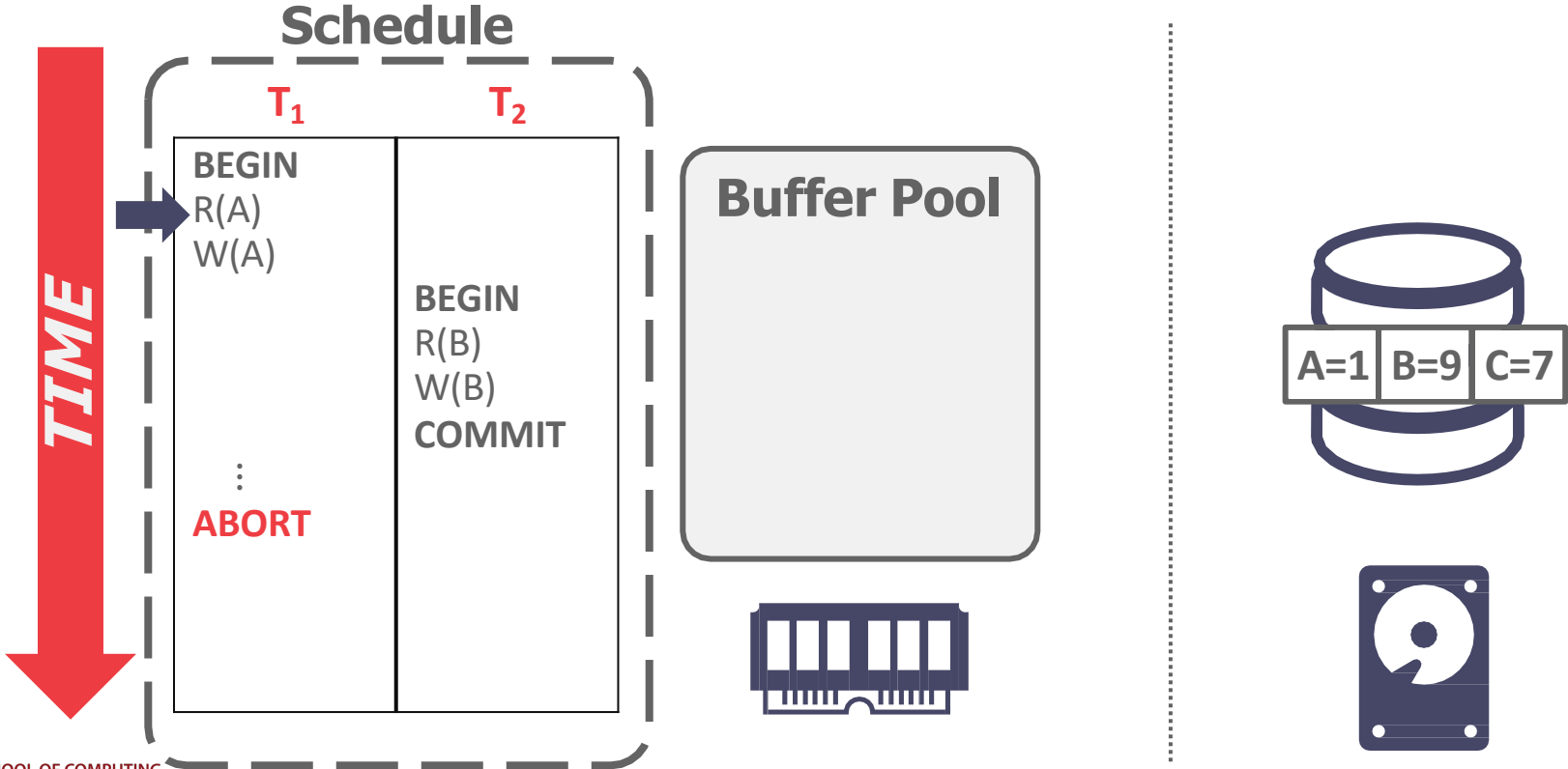
**FORCE:** Is required.

**NO-FORCE:** Is not required.

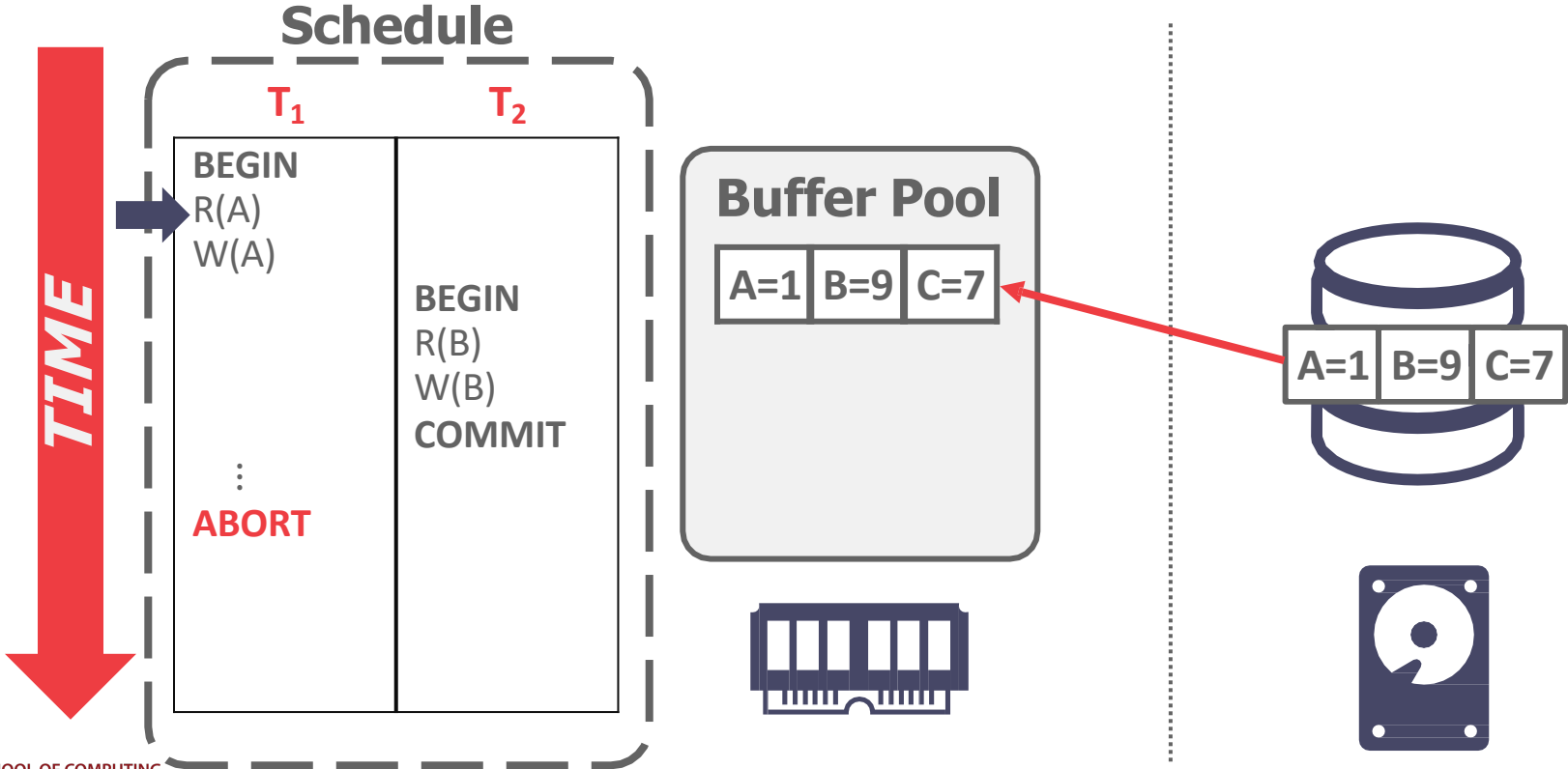
# NO-STEAL + FORCE



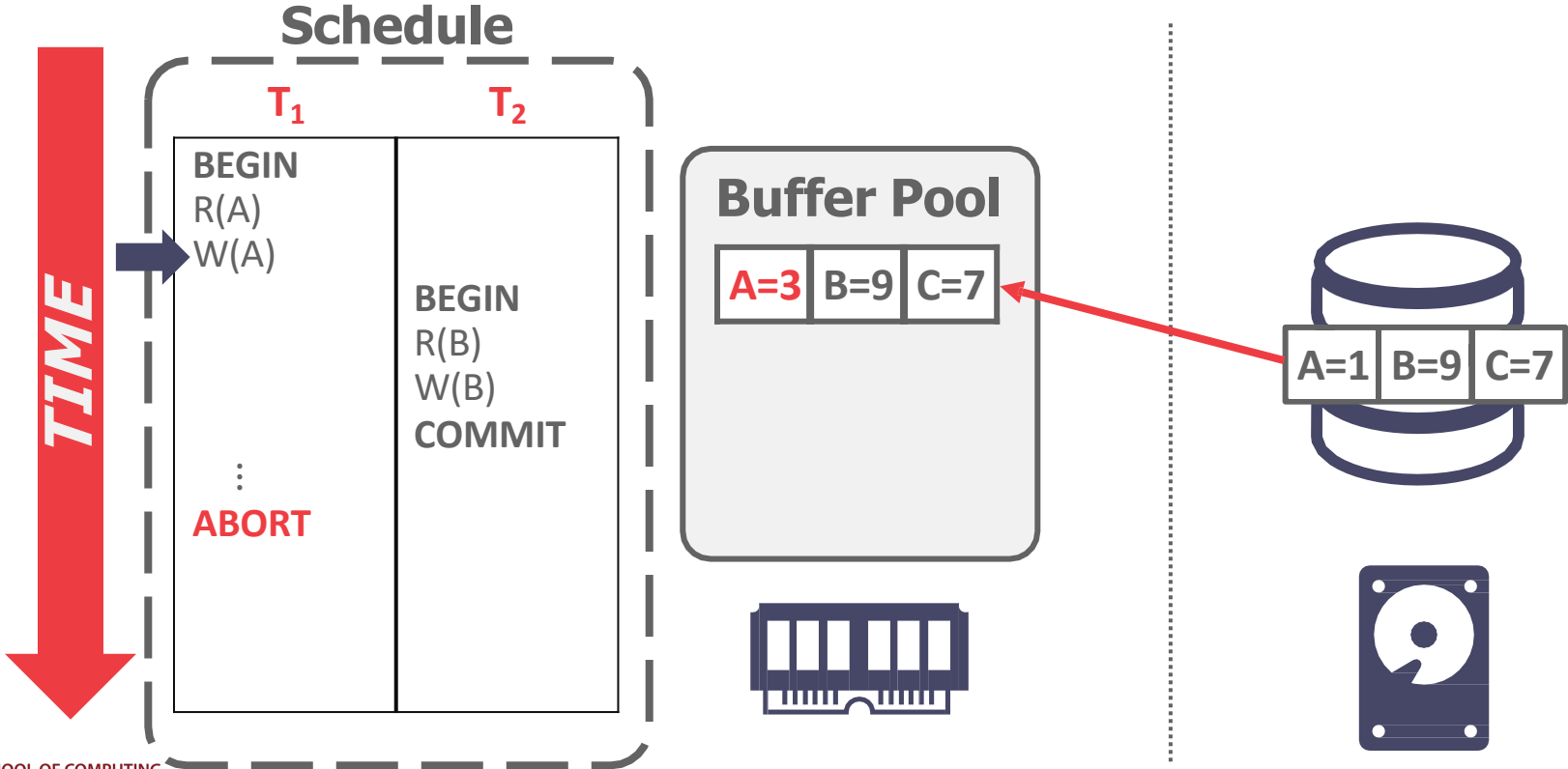
# NO-STEAL + FORCE



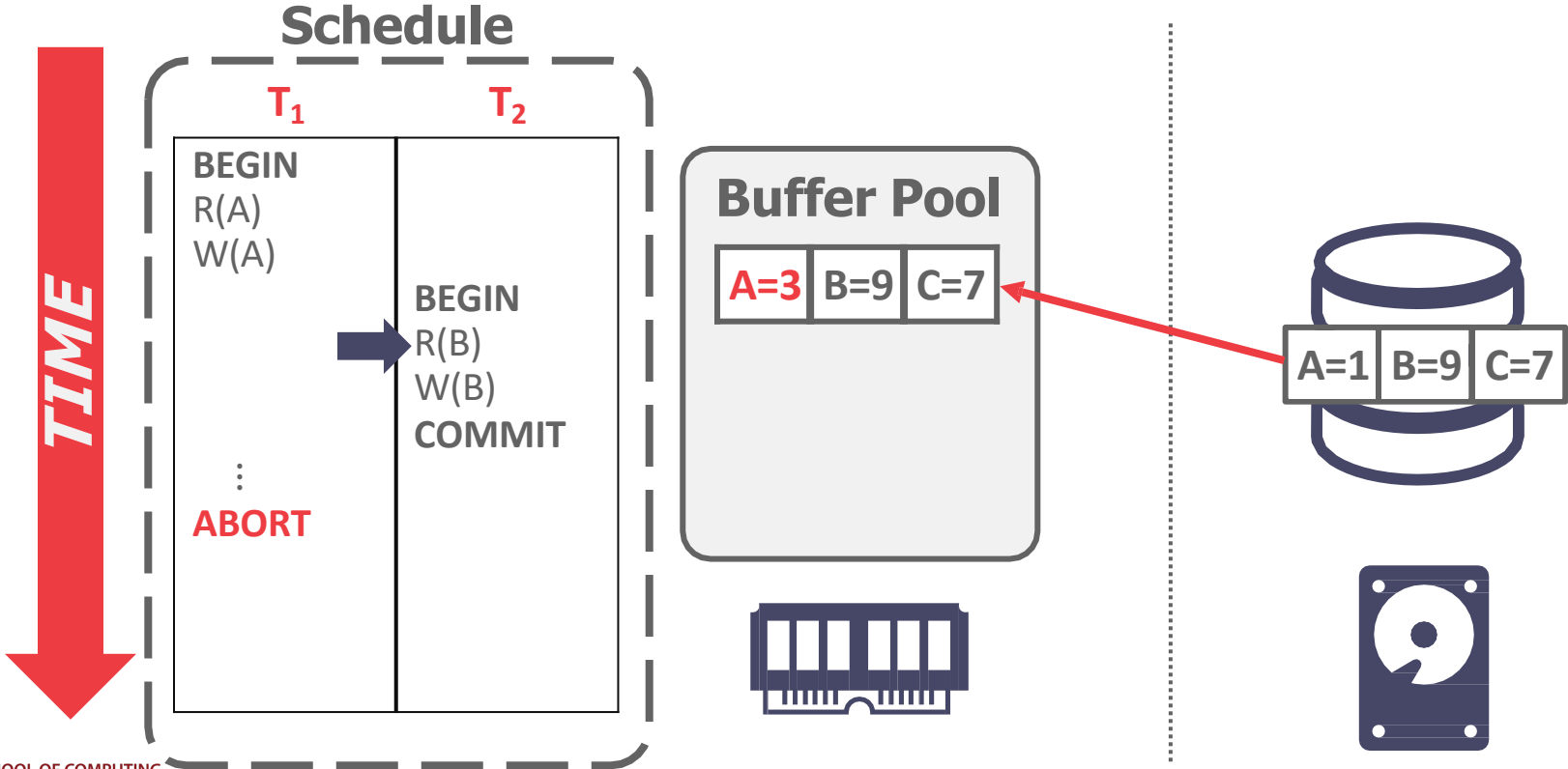
# NO-STEAL + FORCE



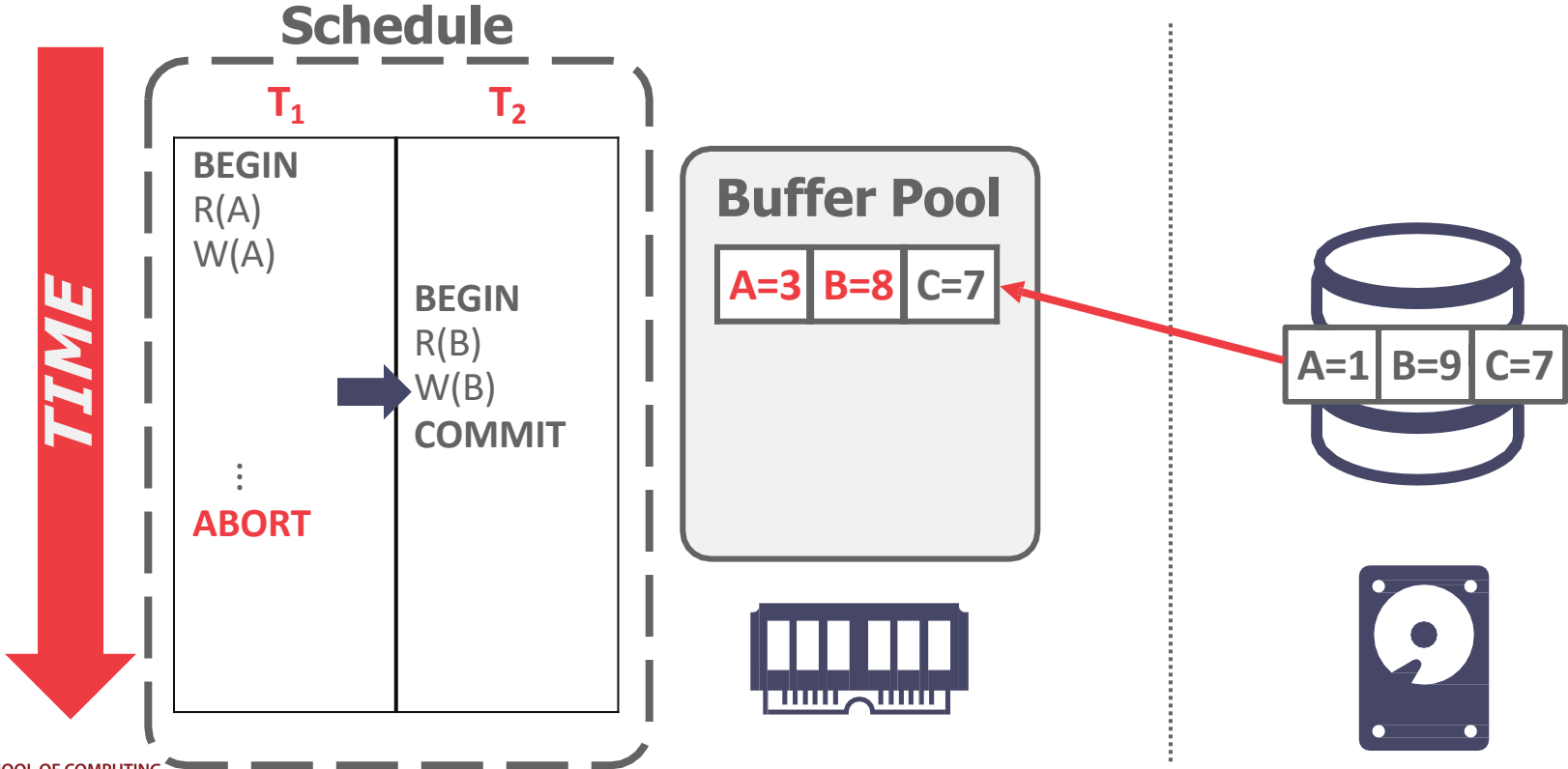
# NO-STEAL + FORCE



# NO-STEAL + FORCE

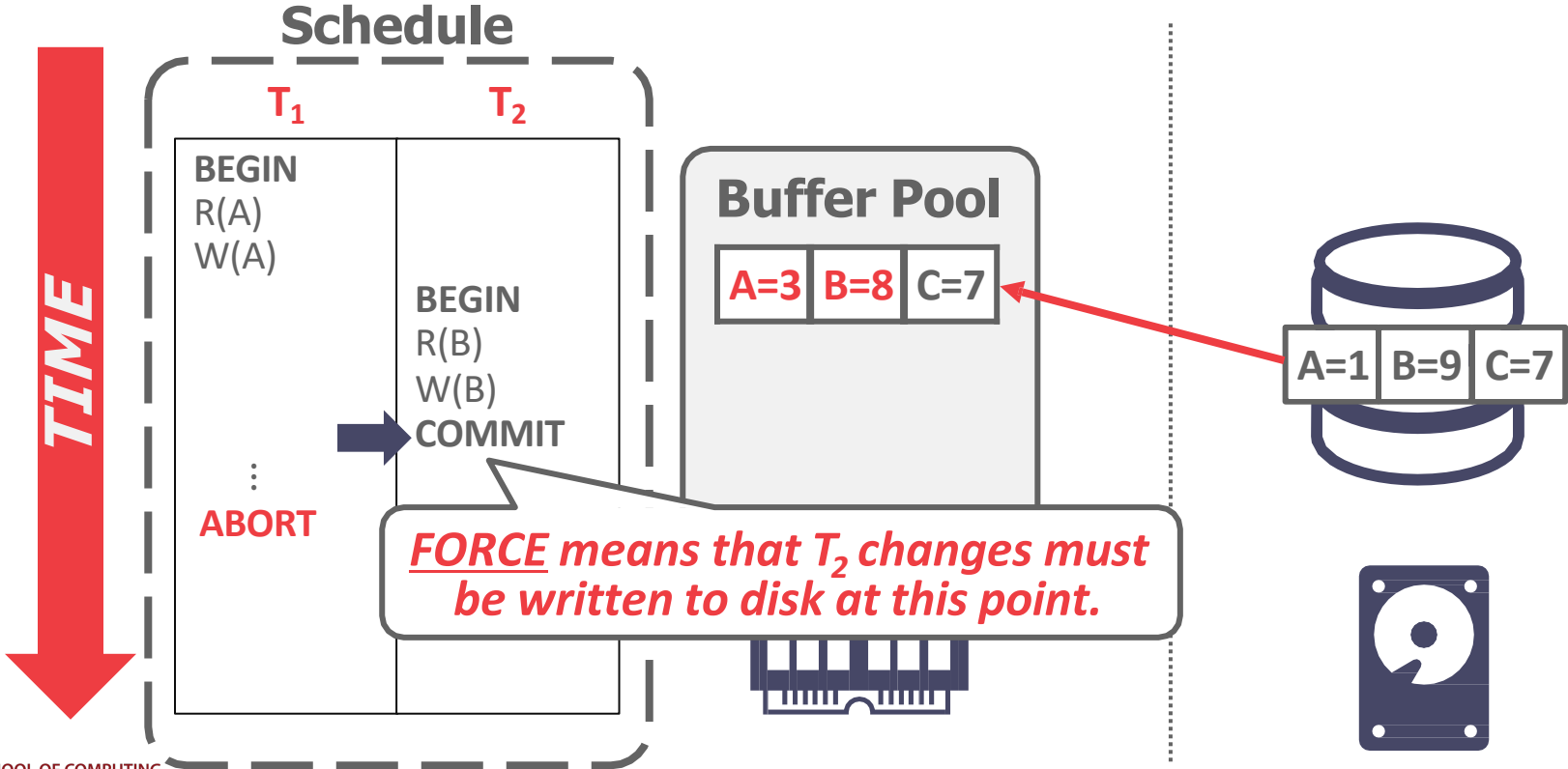


# NO-STEAL + FORCE

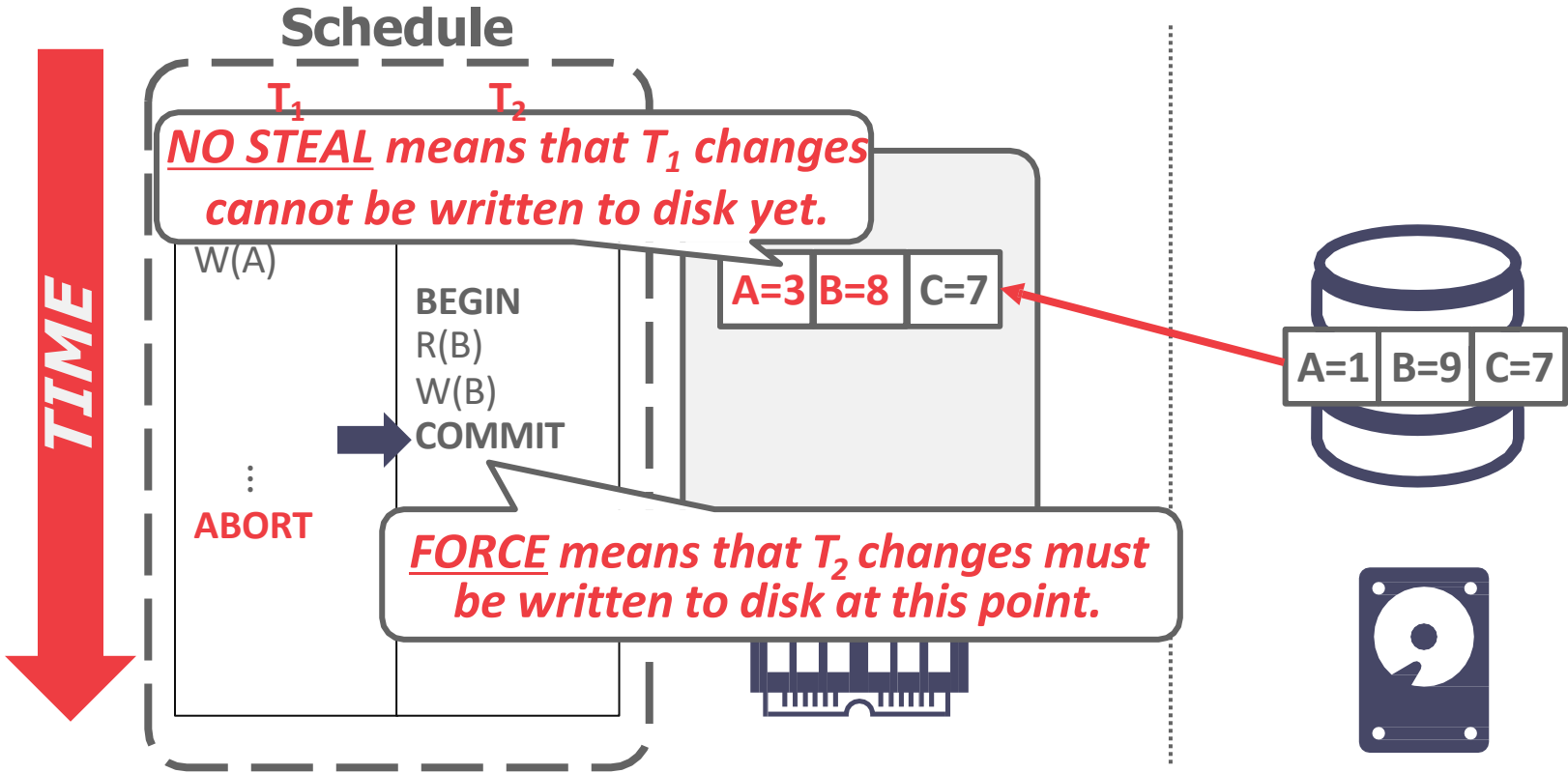




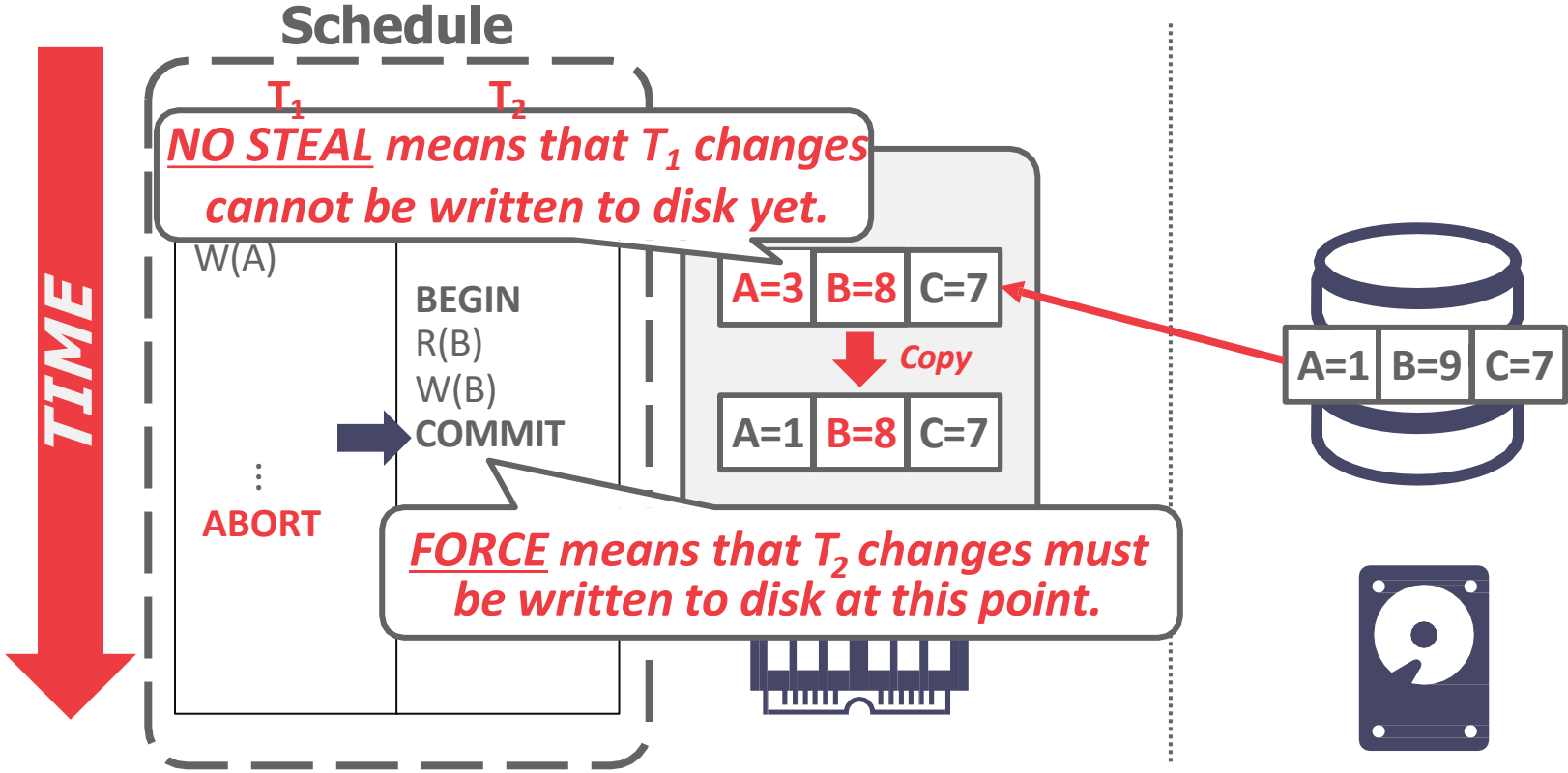
# NO-STEAL + FORCE



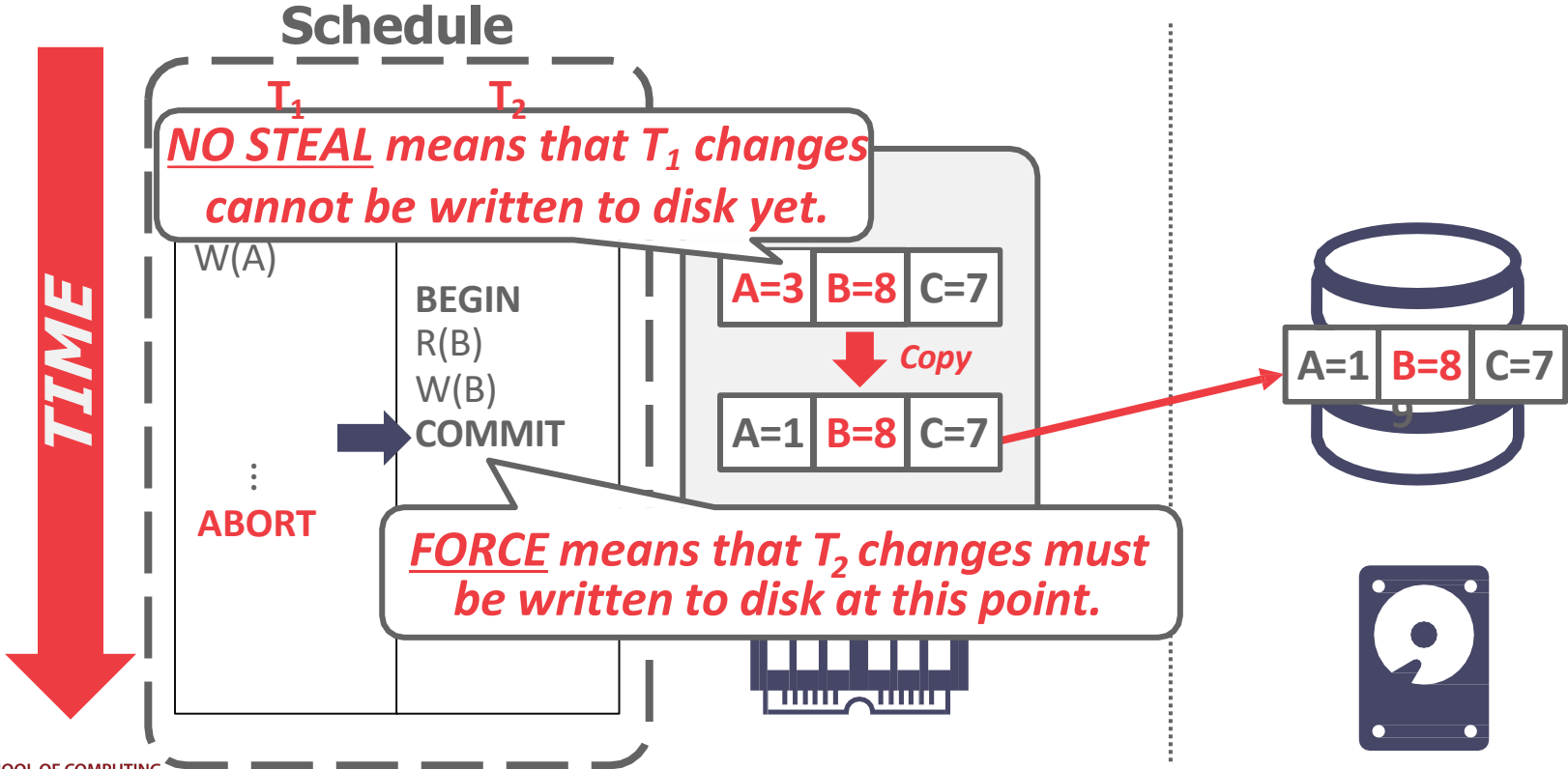
# NO-STEAL + FORCE



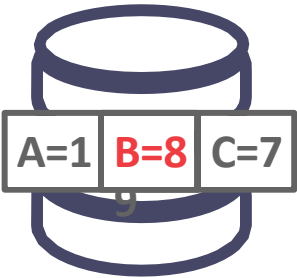
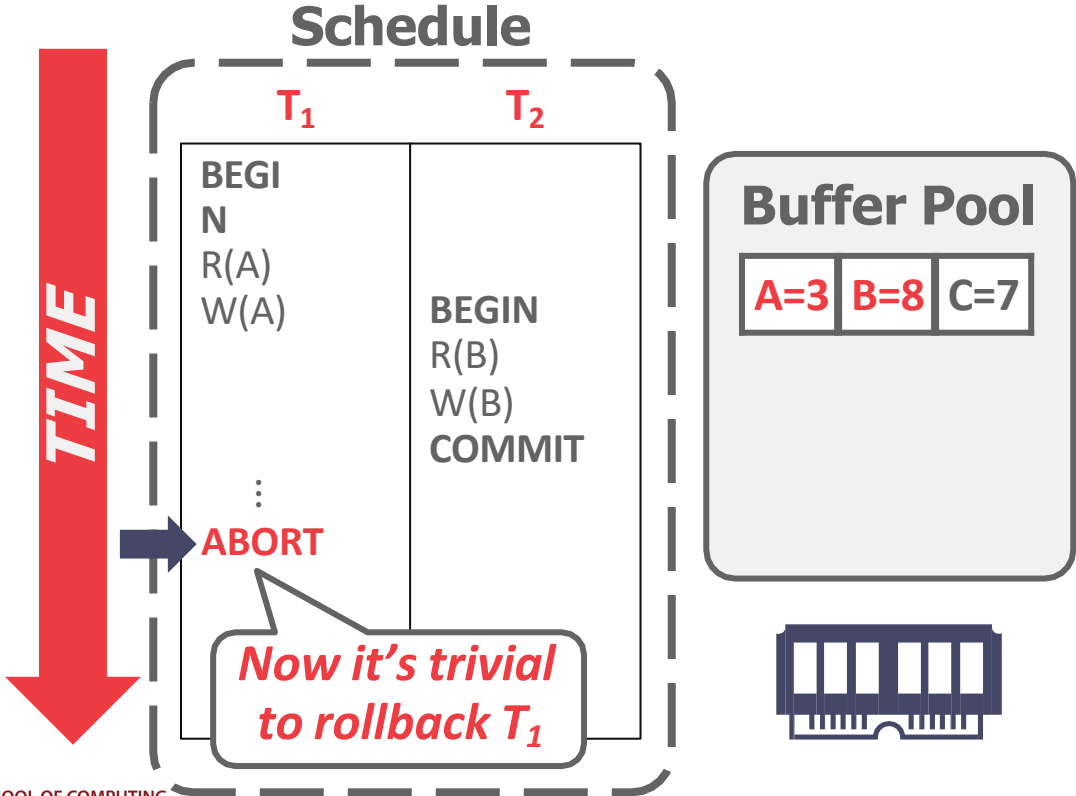
# NO-STEAL + FORCE



# NO-STEAL + FORCE



# NO-STEAL + FORCE



## NO-STEAL + FORCE

This approach is the easiest to implement:

- Never have to undo changes of an aborted txn because the changes were not written to disk.
- Never have to redo changes of a committed txn because all the changes are guaranteed to be written to disk at commit time (assuming atomic hardware writes).

Previous example cannot support write sets that exceed the amount of physical memory available.

# WRITE-AHEAD LOG

Maintain a log file separate from data files that contains the changes that txns make to database.

- Assume that the log is on stable storage.
- Log contains enough information to perform the necessary undo and redo actions to restore the database.

DBMS must write to disk the log file records that correspond to changes made to a database object **before** it can flush that object to disk.

Buffer Pool Policy: **STEAL + NO-FORCE**

# WRITE-AHEAD LOG

Maintain a log file separate from data files that contains the changes that txns make to database.

- Assume that the log is on stable storage.
- Log contains enough information to perform the necessary undo and redo actions to restore the database.

DBMS must write to disk the log file records that correspond to changes made to a database object **before** it can flush that object to disk.

Buffer Pool Policy: **STEAL + NO-FORCE**



# WAL PROTOCOL

The DBMS stages all txn's log records in volatile storage (usually backed by buffer pool).

All log records pertaining to an updated page are written to non-volatile storage before the page itself is over-written in non-volatile storage.

A txn is not considered committed until all its log records have been written to stable storage.

# WAL PROTOCOL

Write a **<BEGIN>** record to the log for each txn to mark its starting point.

When a txn finishes, the DBMS will:

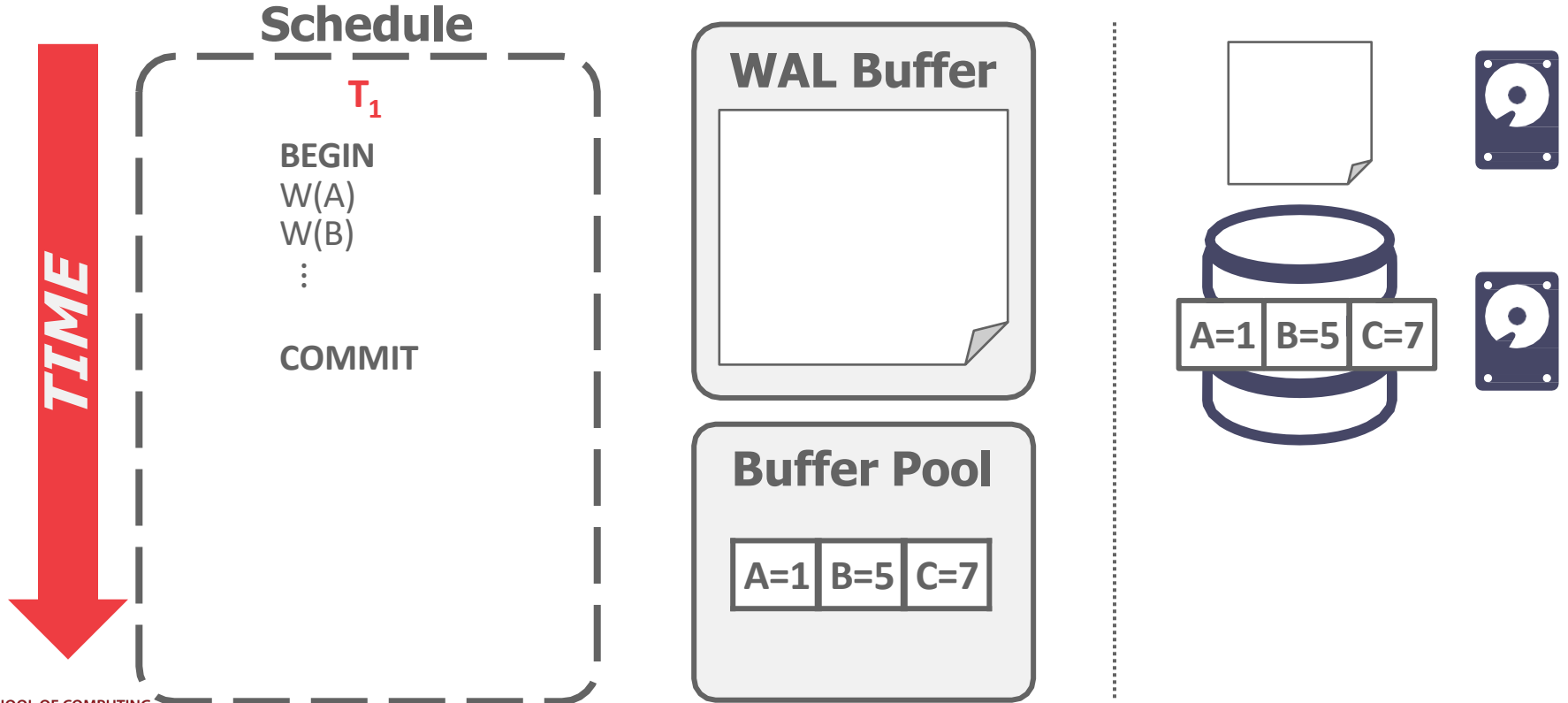
- Write a **<COMMIT>** record on the log
- Make sure that all log records are flushed before it returns an acknowledgement to application.

# WAL PROTOCOL

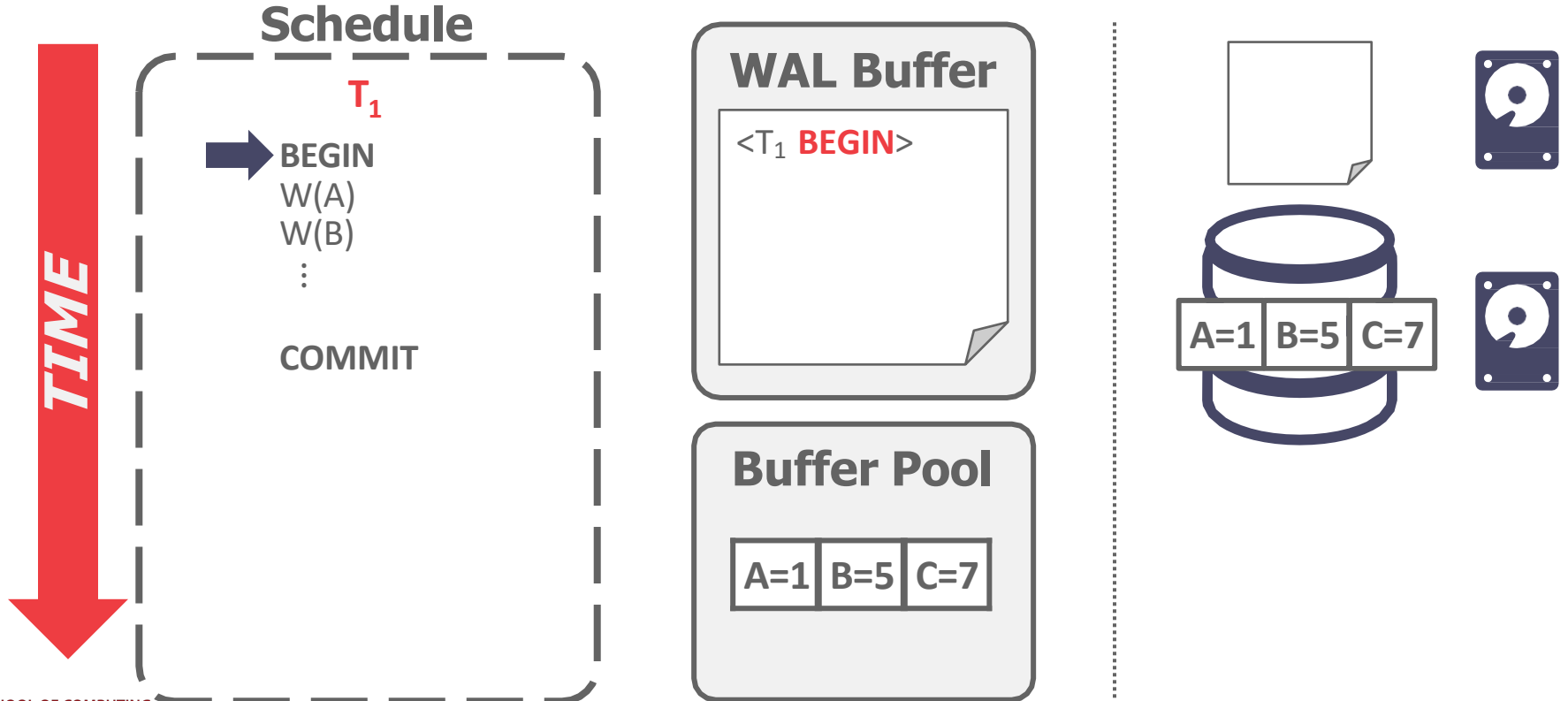
Each log entry contains information about the change to a single object:

- Transaction Id
- Object Id
- Before Value (UNDO)
- After Value (REDO)

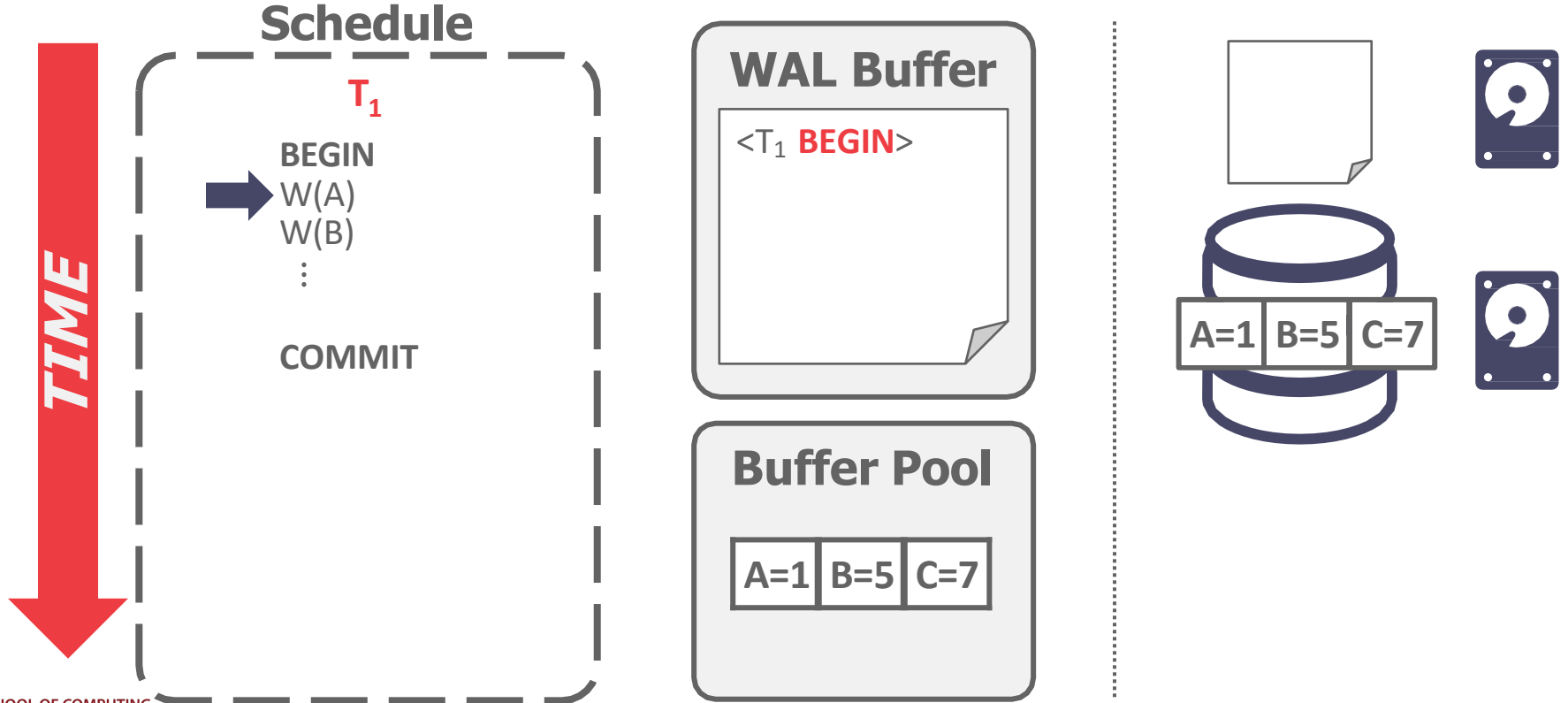
# WAL – EXAMPLE



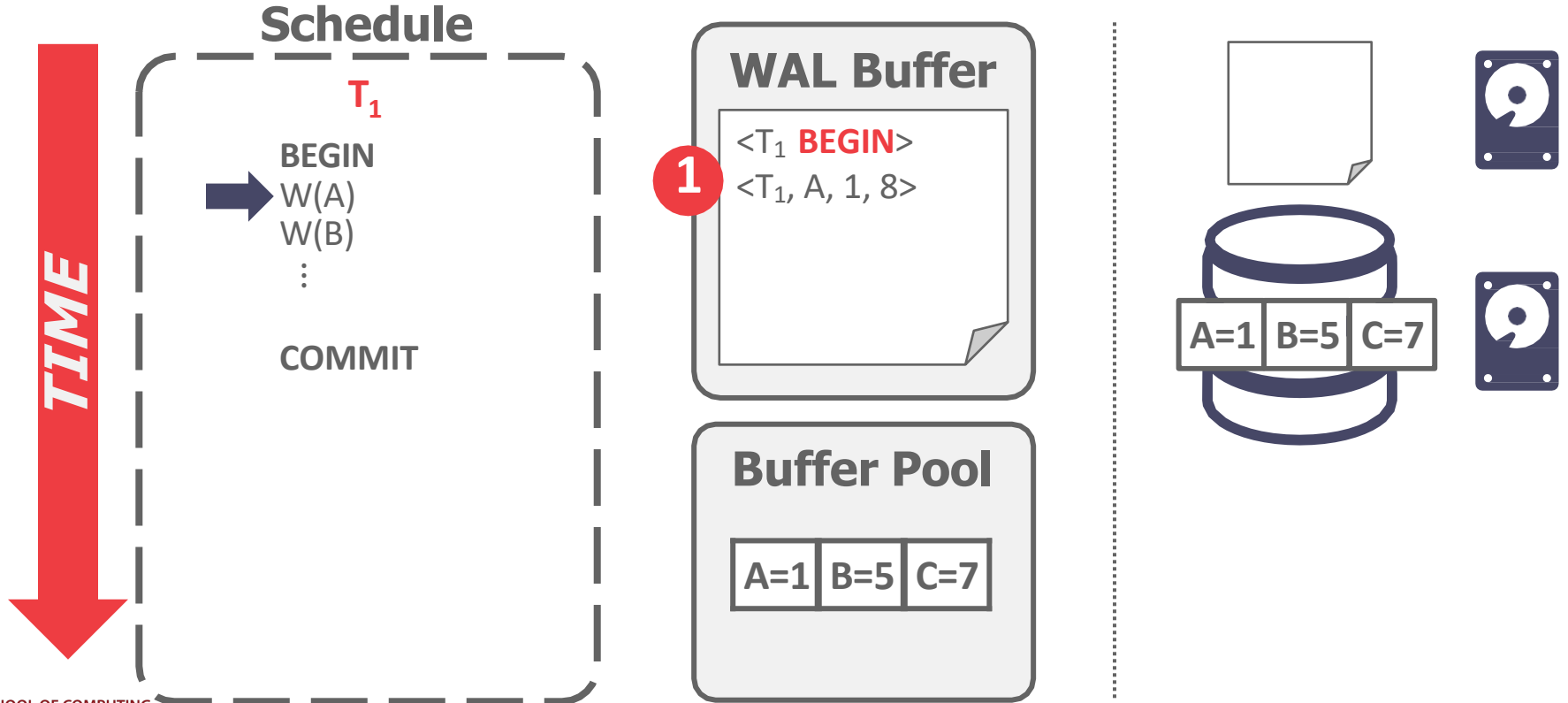
# WAL – EXAMPLE



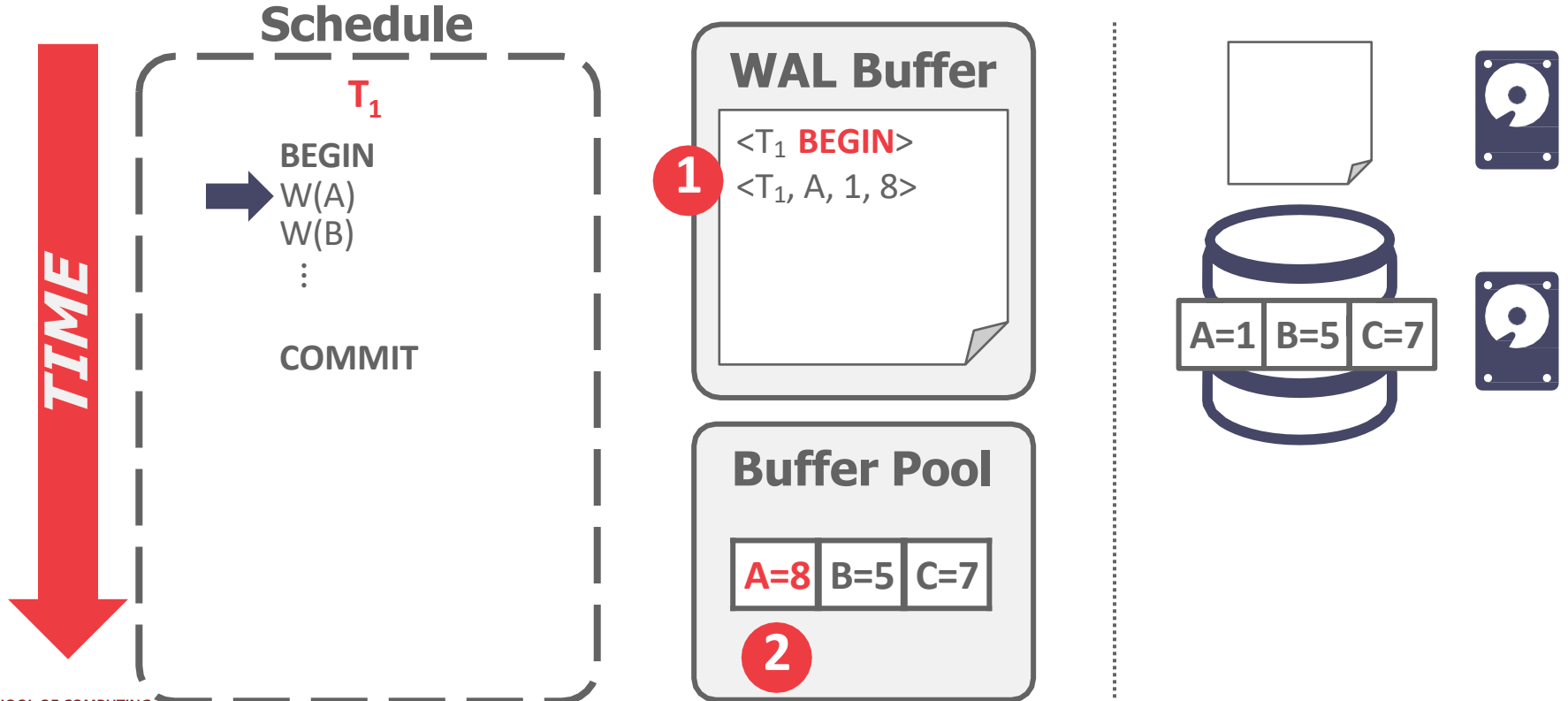
# WAL – EXAMPLE



# WAL – EXAMPLE

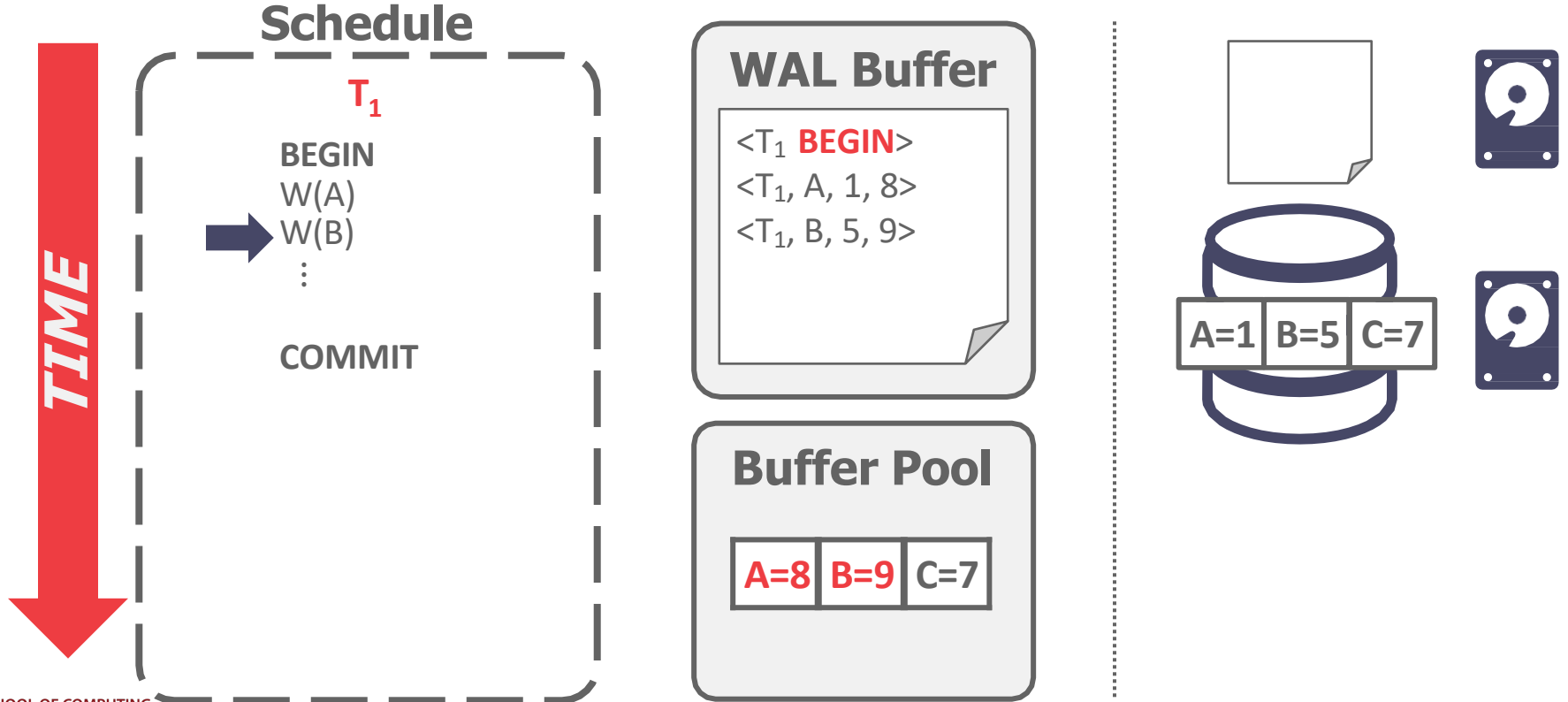


# WAL – EXAMPLE

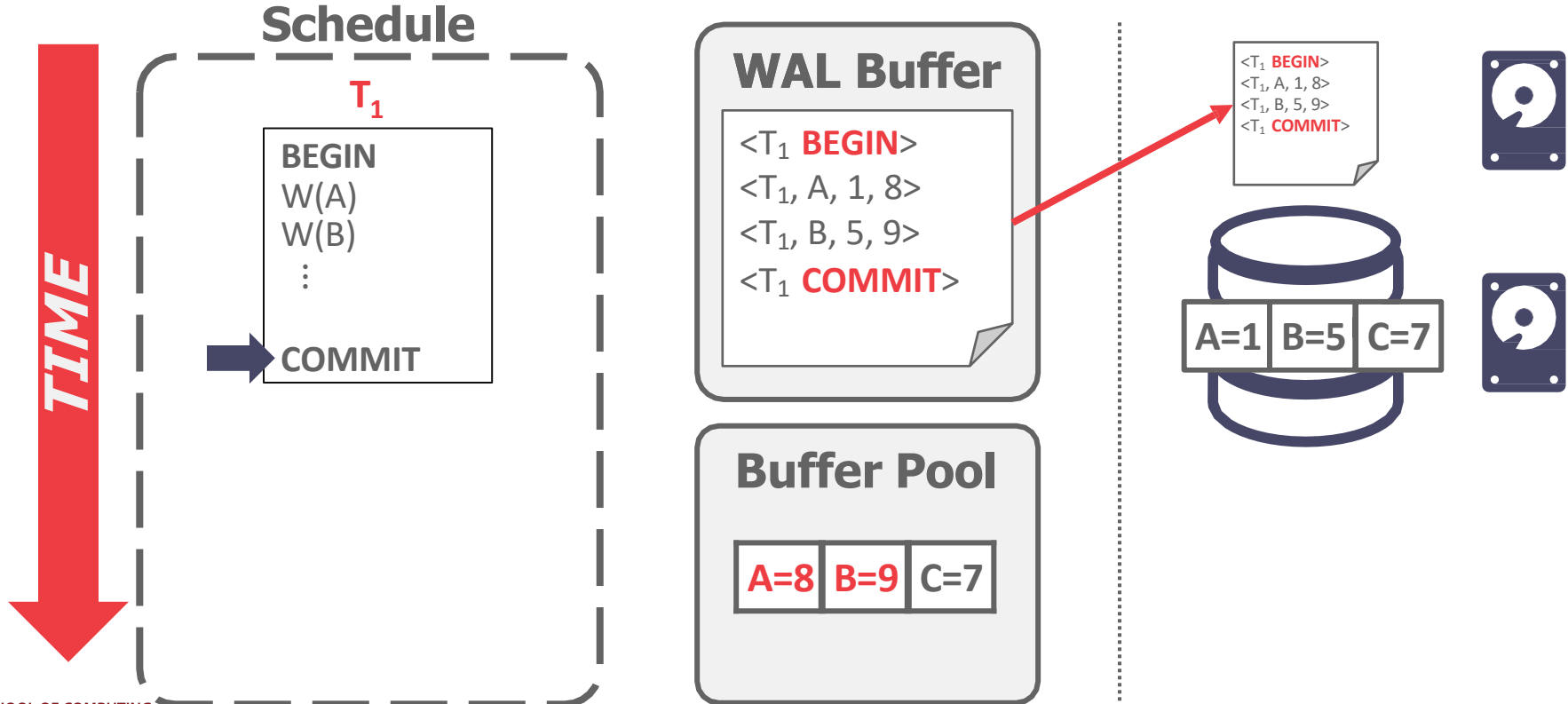




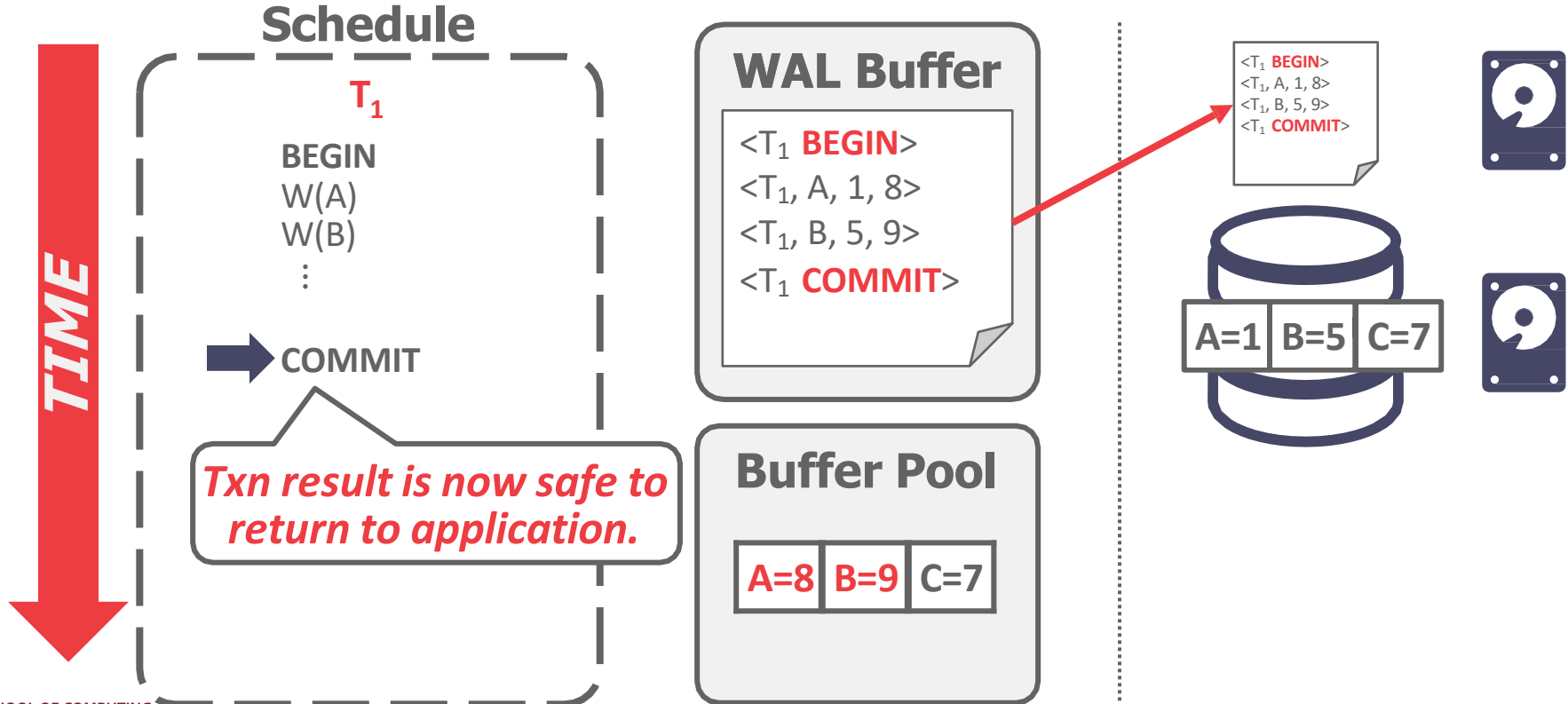
# WAL – EXAMPLE



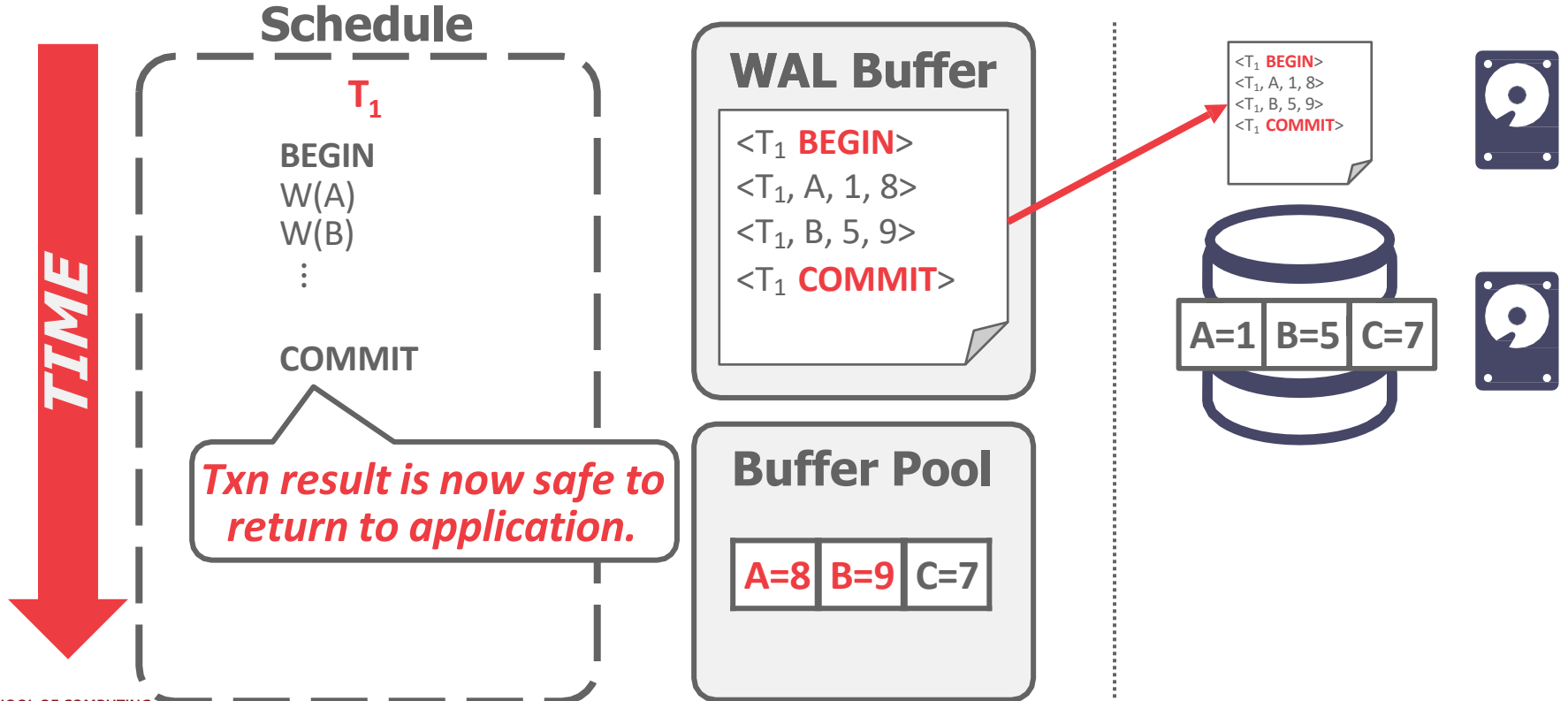
# WAL – EXAMPLE



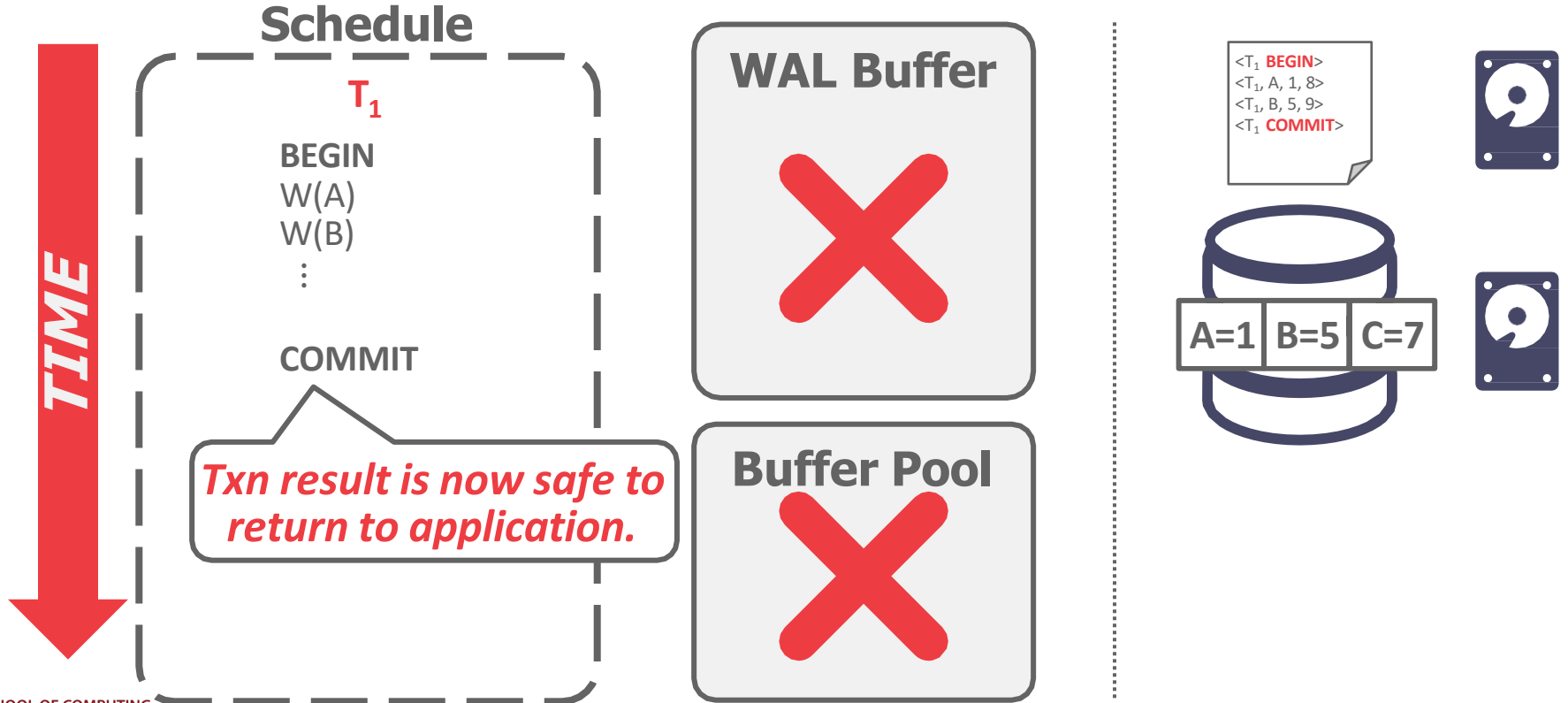
# WAL – EXAMPLE



# WAL – EXAMPLE



# WAL – EXAMPLE



WAL - EXA

Everything we need to restore  $T_1$  is in the log!

### Schedule

$T_1$

BEGIN  
W(A)  
W(B)  
⋮

COMMIT

*Txn result is now safe to return to application.*

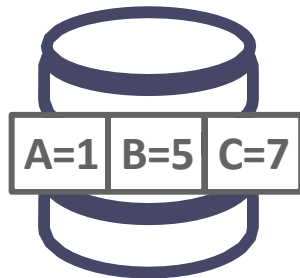
### WAL Buffer



### Buffer Pool



```
<T1 BEGIN>
<T1, A, 1, 8>
<T1, B, 5, 9>
<T1 COMMIT>
```



## WAL – IMPLEMENTATION

*When should the DBMS write log entries to disk?*

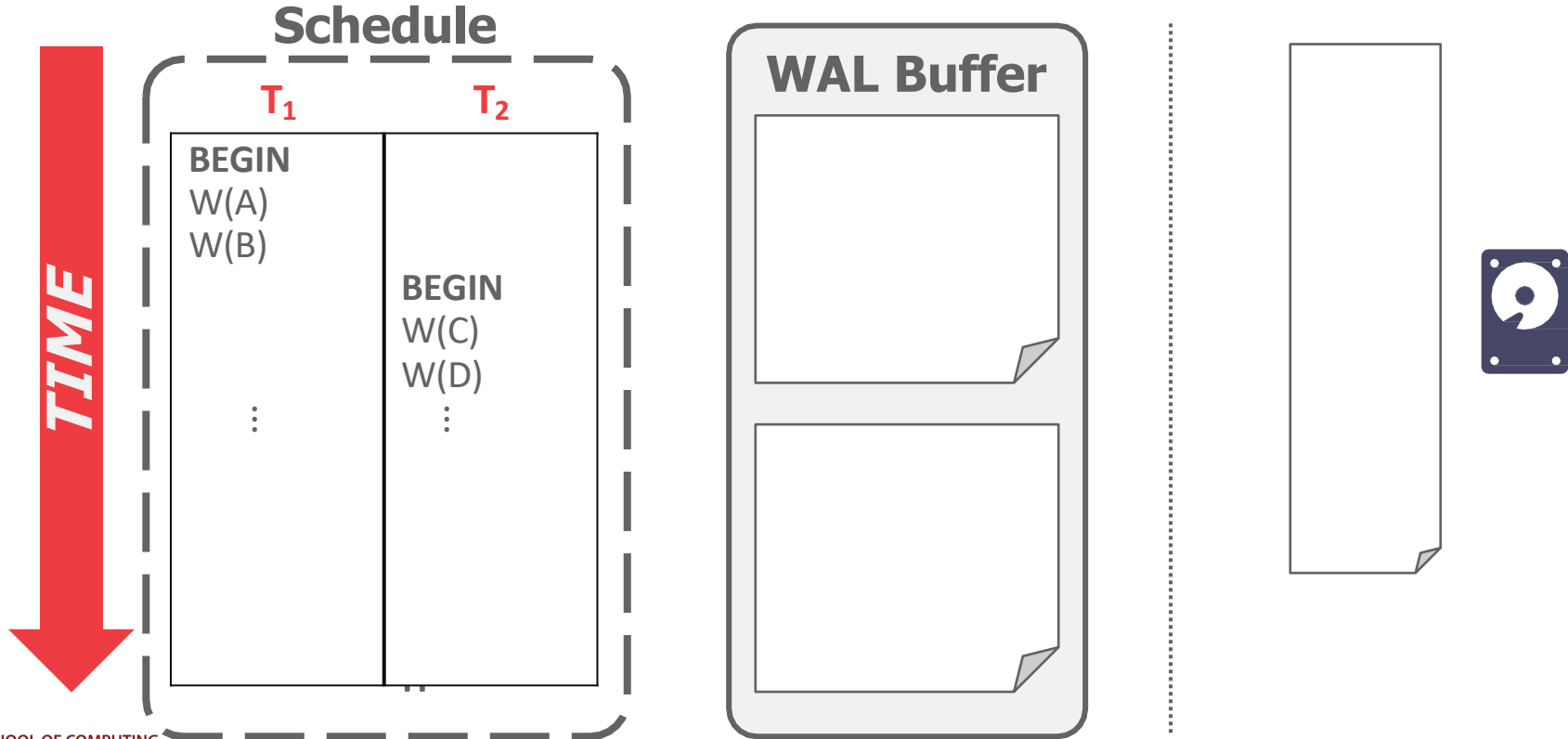
# WAL – IMPLEMENTATION

***When should the DBMS write log entries to disk?***

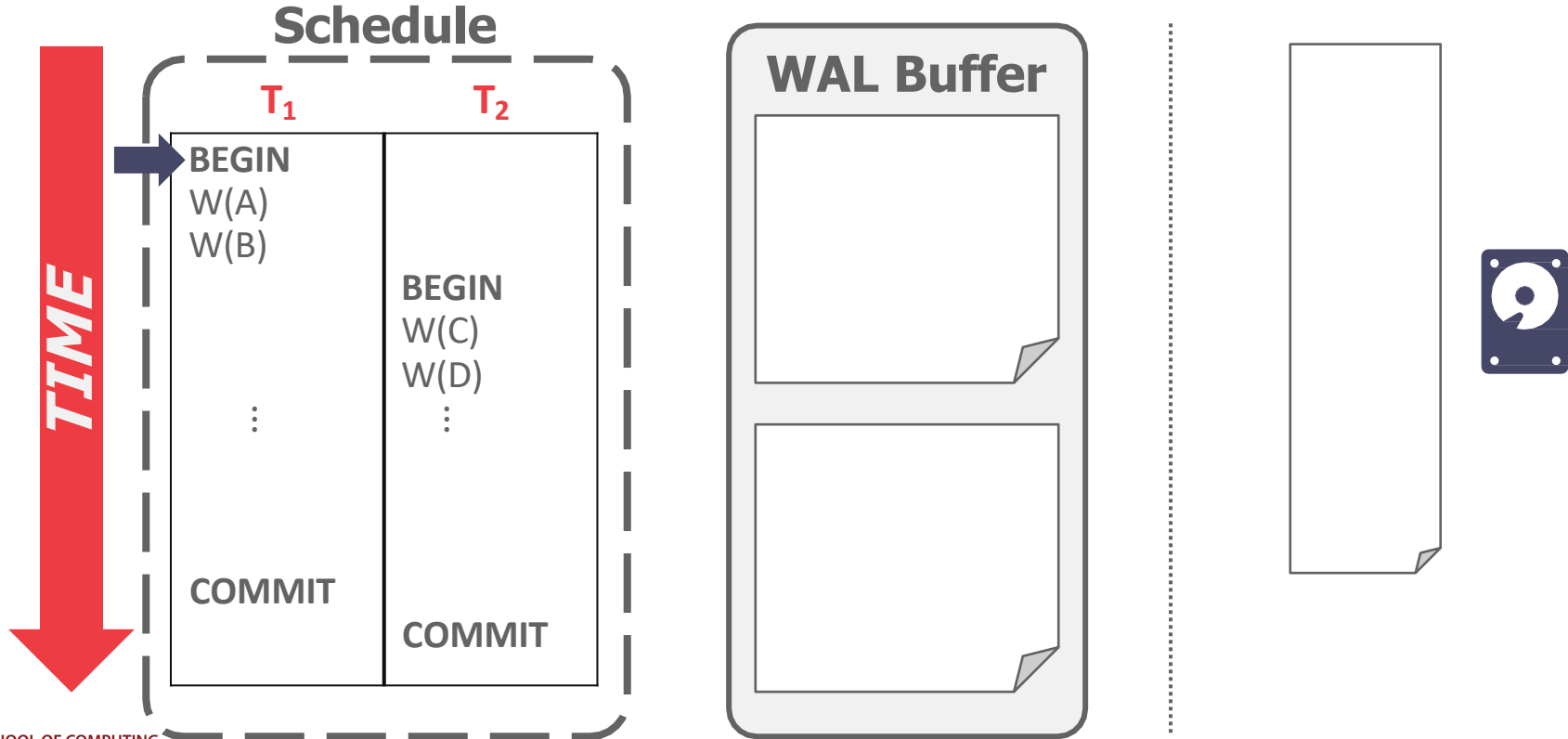
- When the transaction commits.
- Can use group commit to batch multiple log flushes together to amortize overhead.



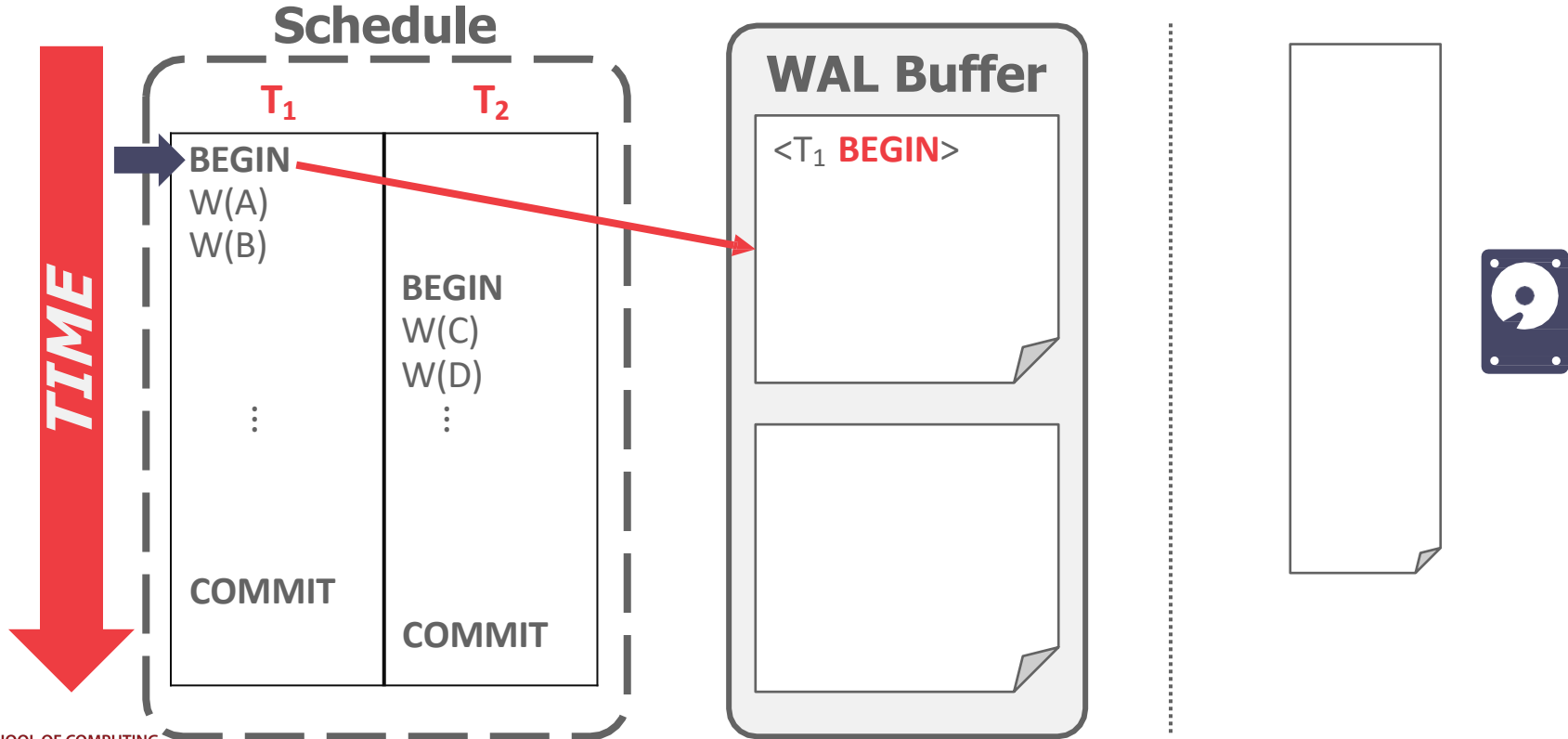
# WAL – GROUP COMMIT



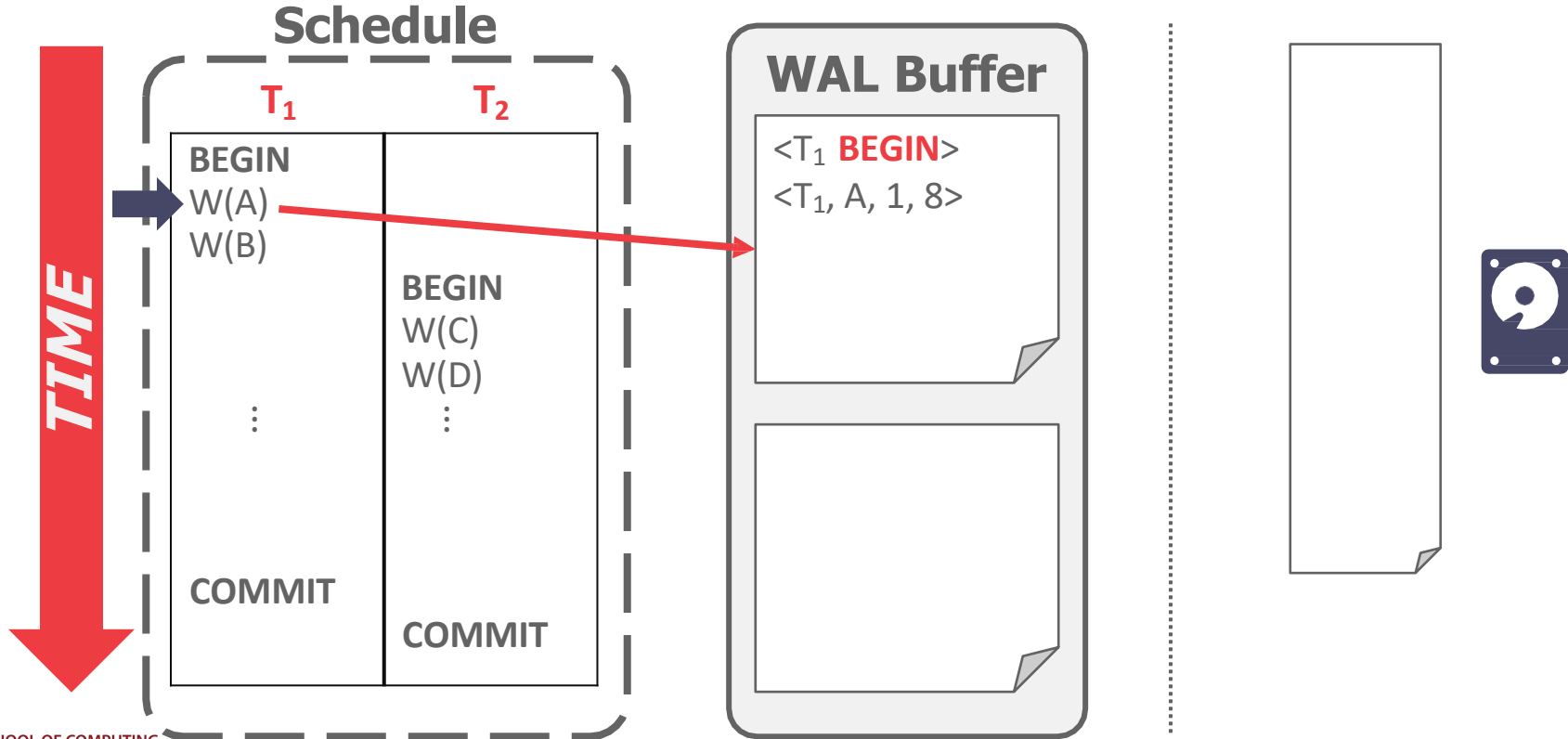
# WAL – GROUP COMMIT



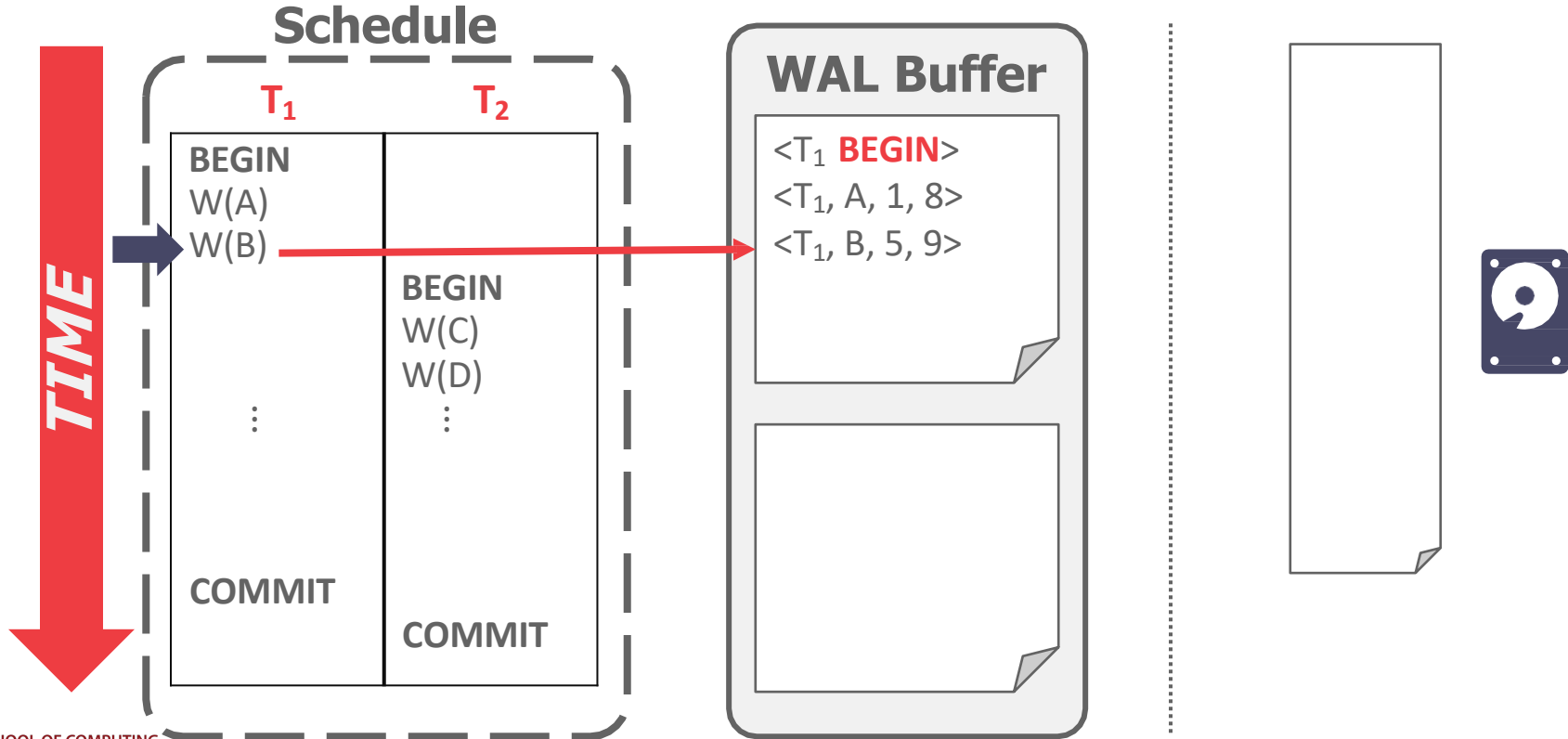
# WAL – GROUP COMMIT



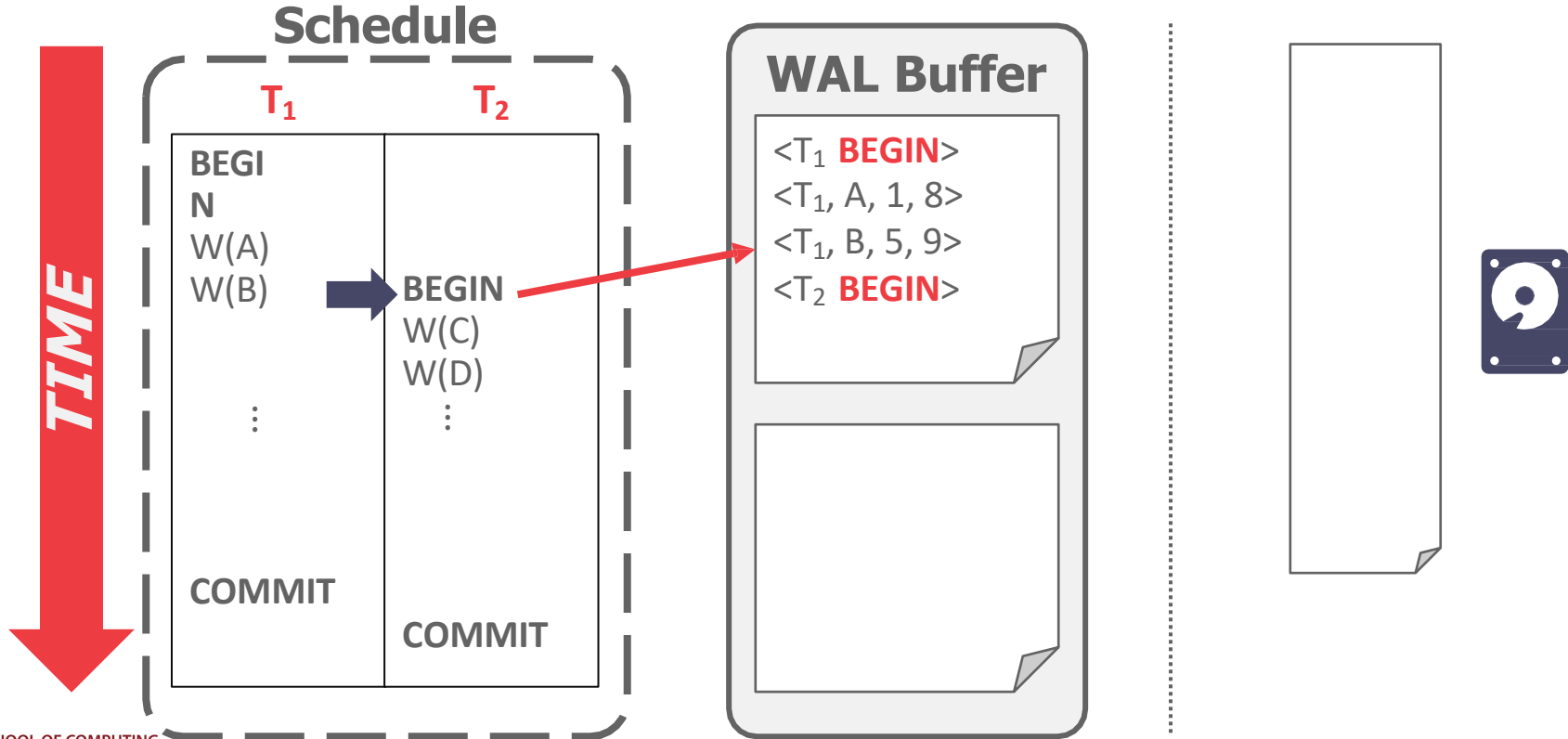
# WAL – GROUP COMMIT



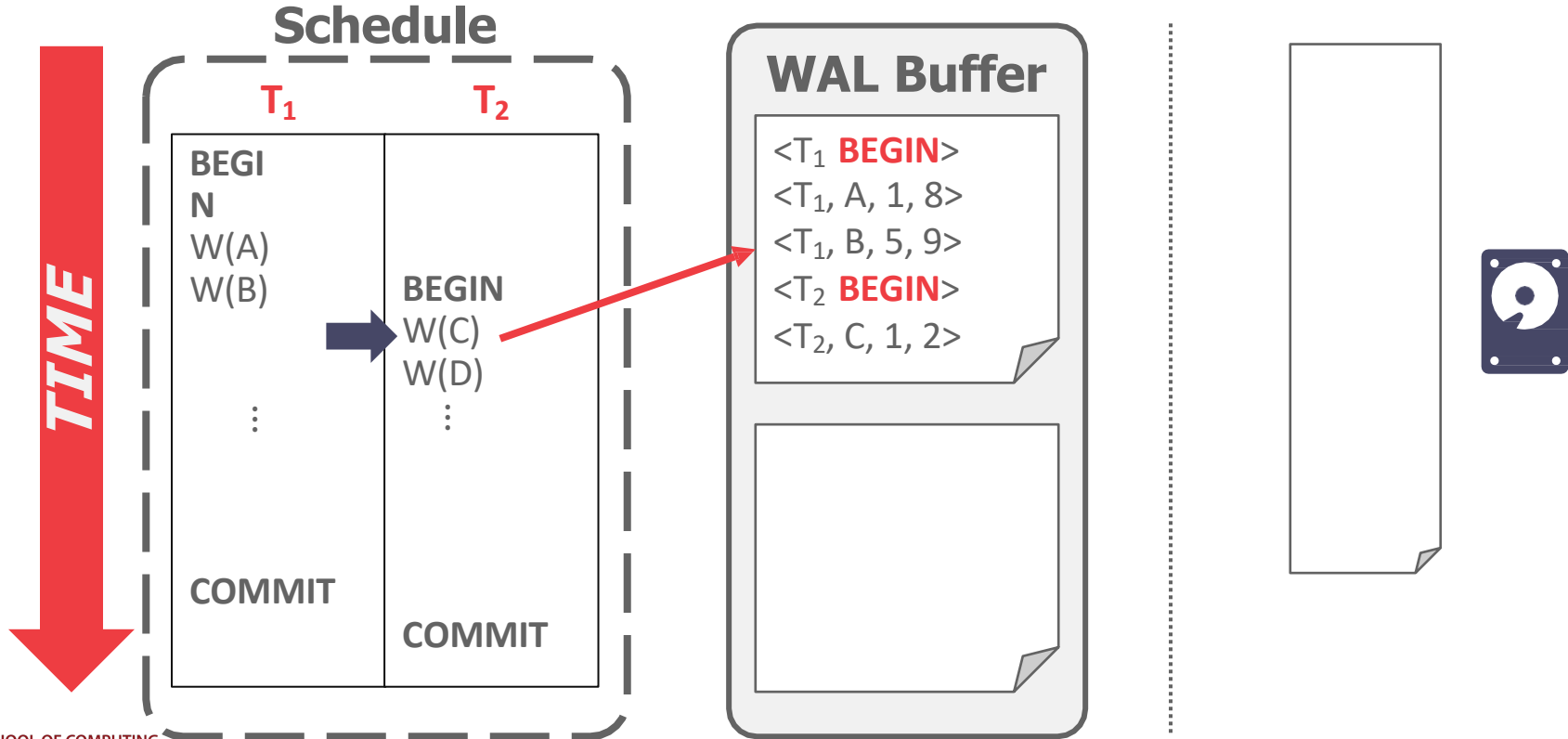
# WAL – GROUP COMMIT



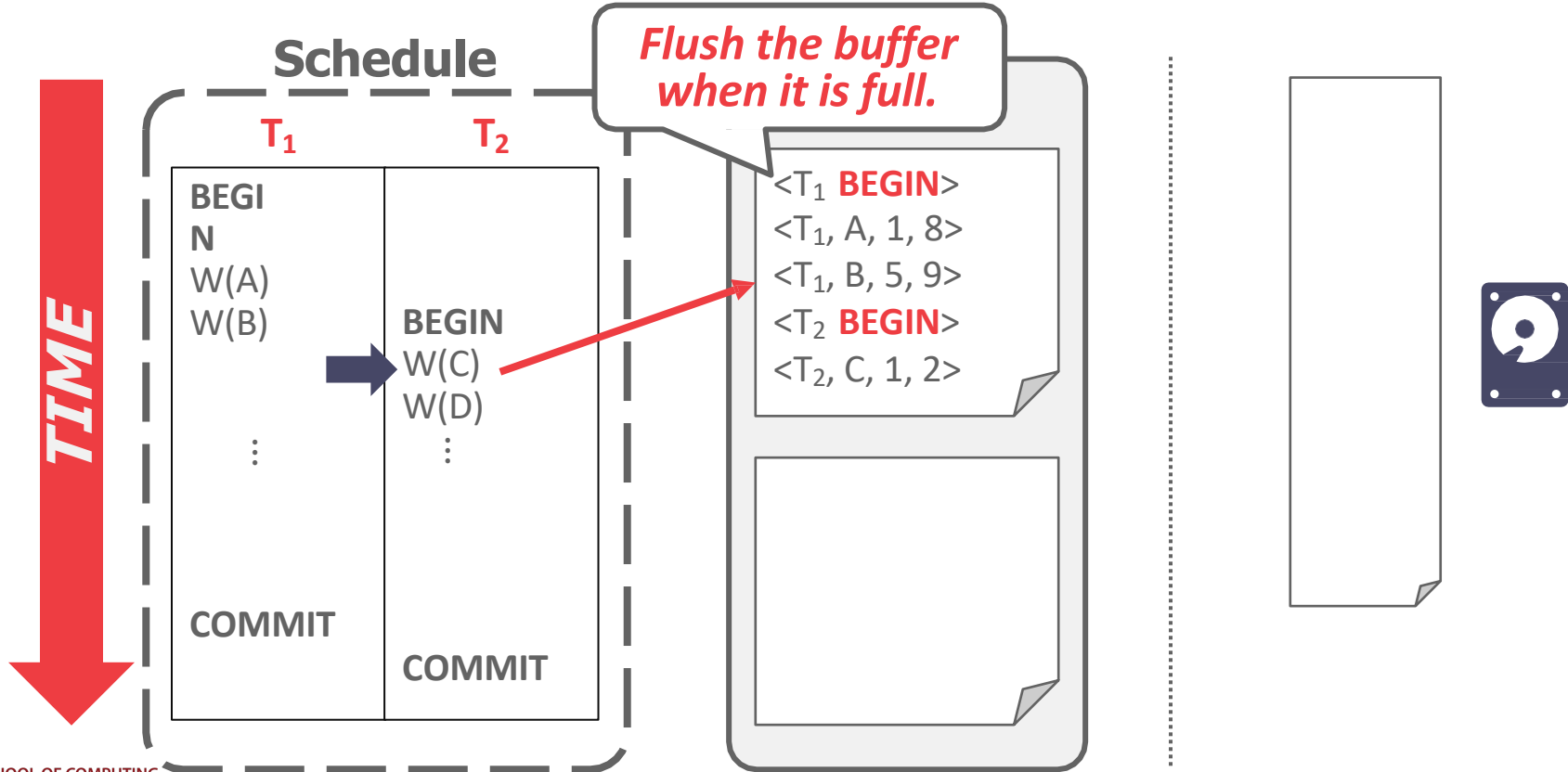
# WAL – GROUP COMMIT



# WAL – GROUP COMMIT

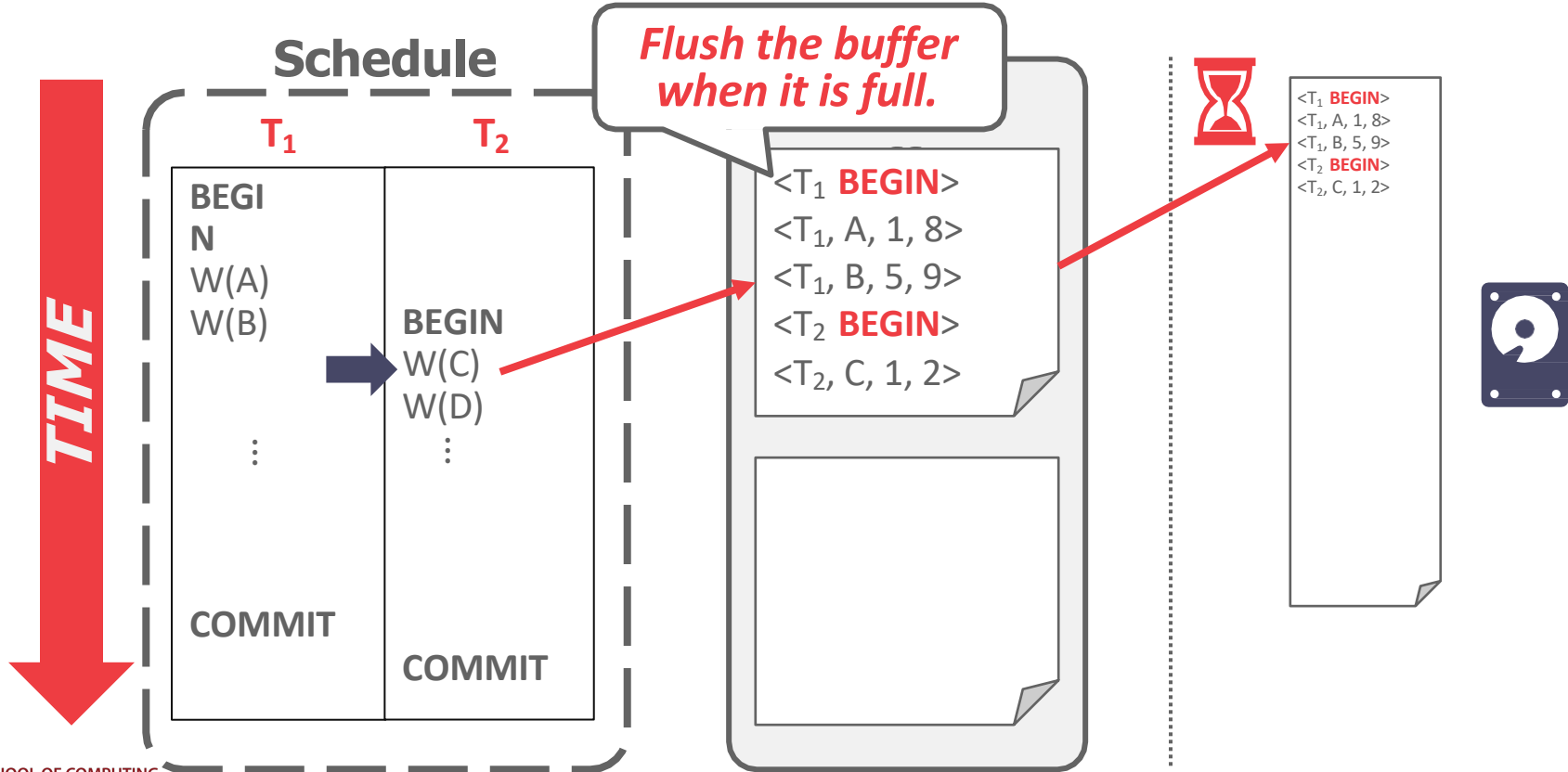


# WAL – GROUP COMMIT

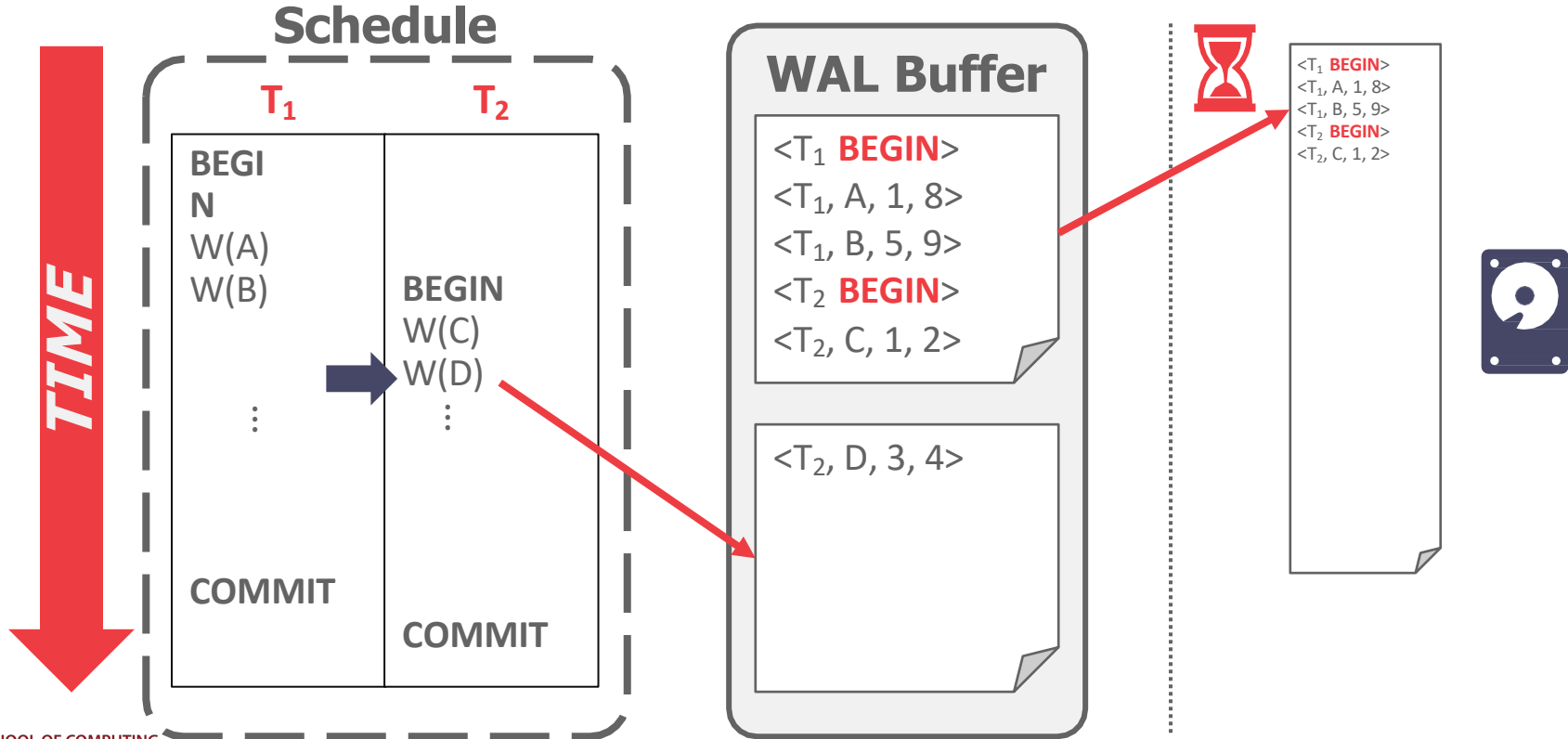




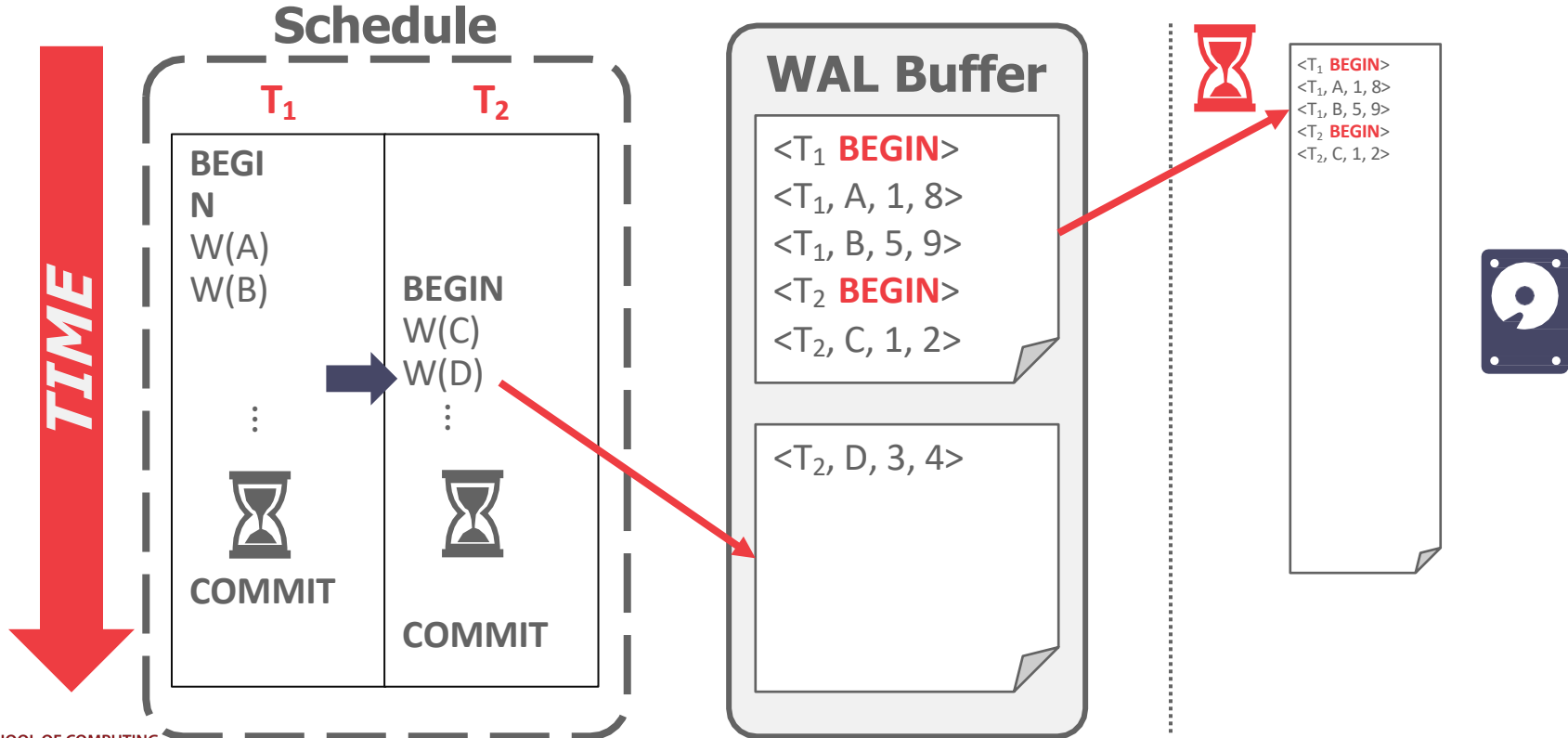
# WAL – GROUP COMMIT



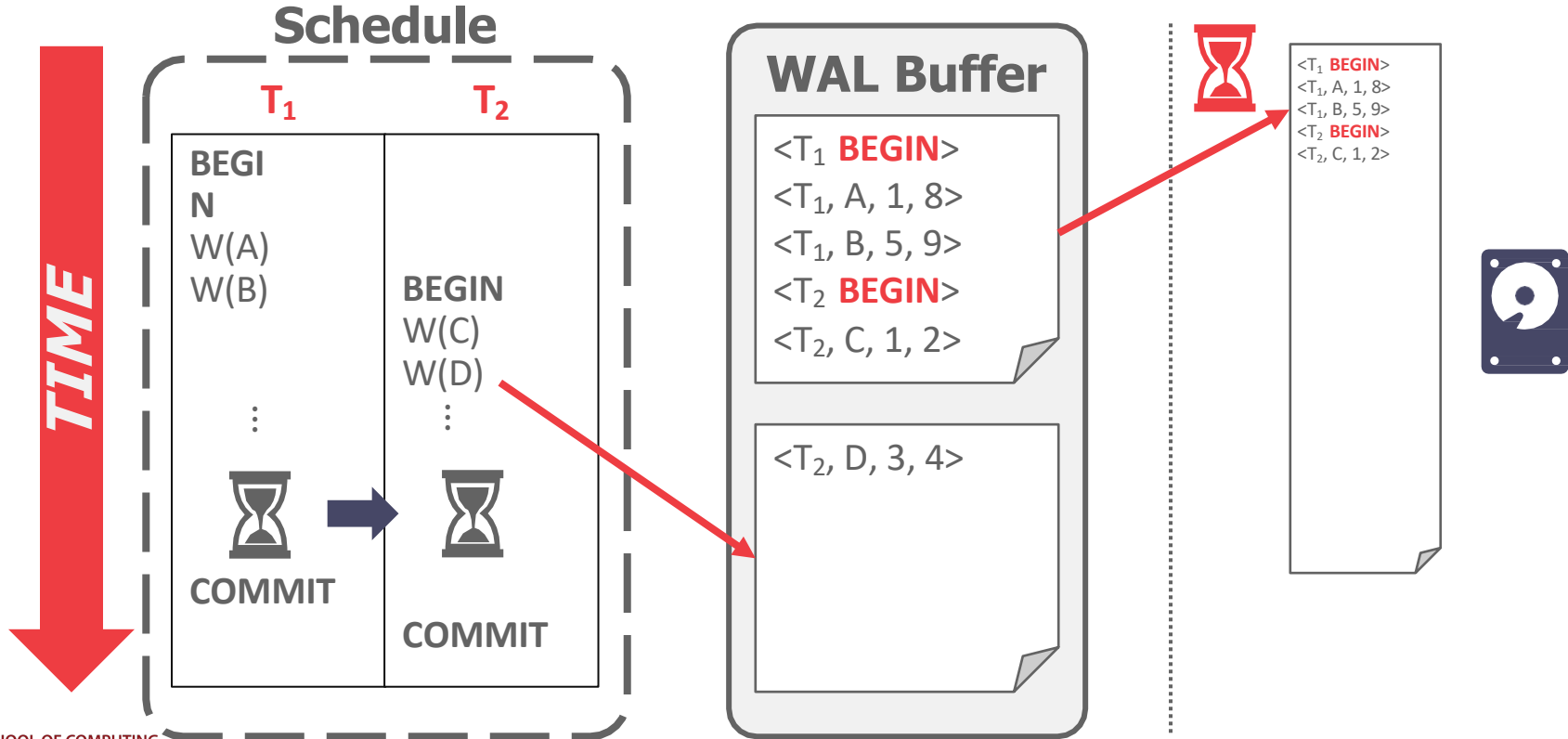
# WAL – GROUP COMMIT



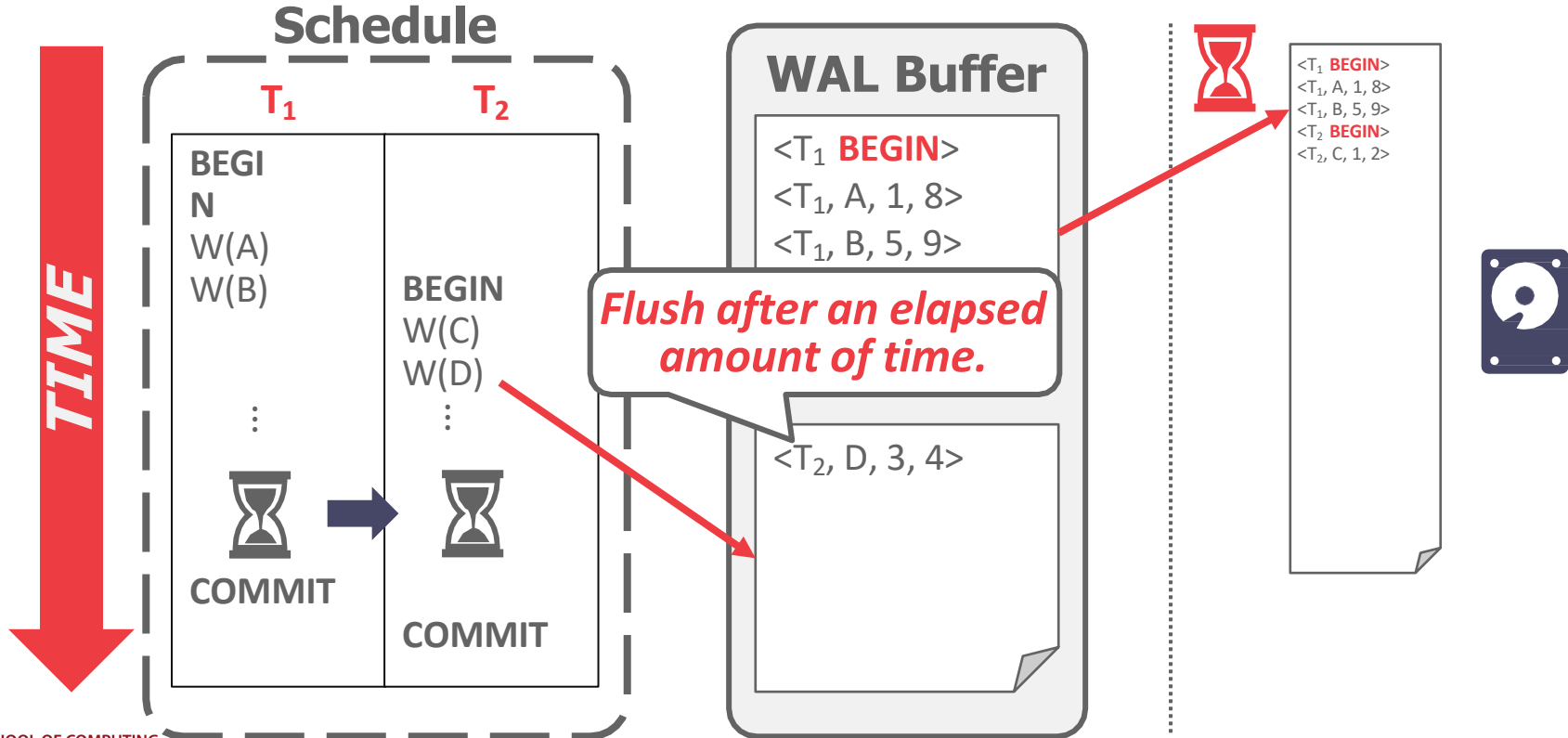
# WAL – GROUP COMMIT



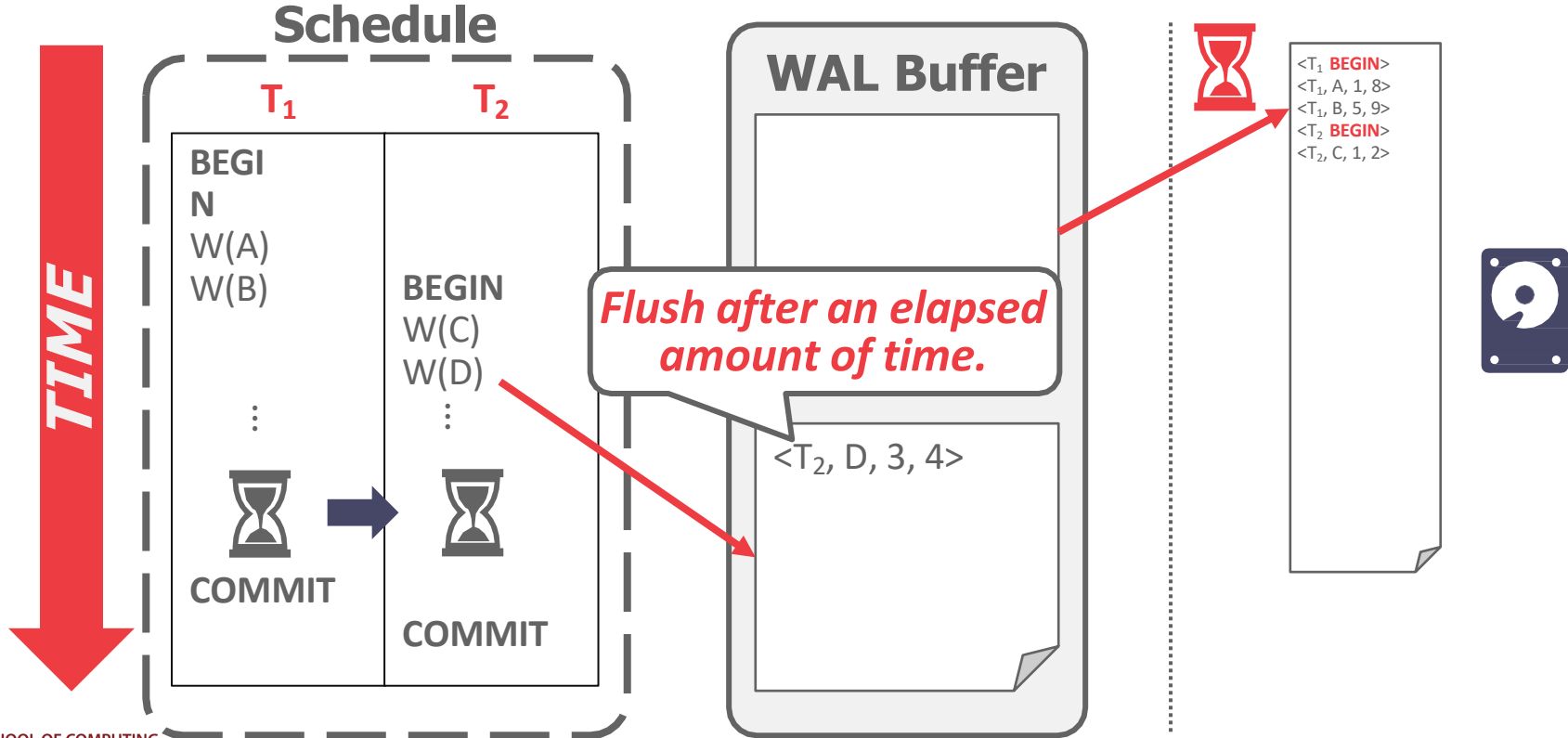
# WAL – GROUP COMMIT



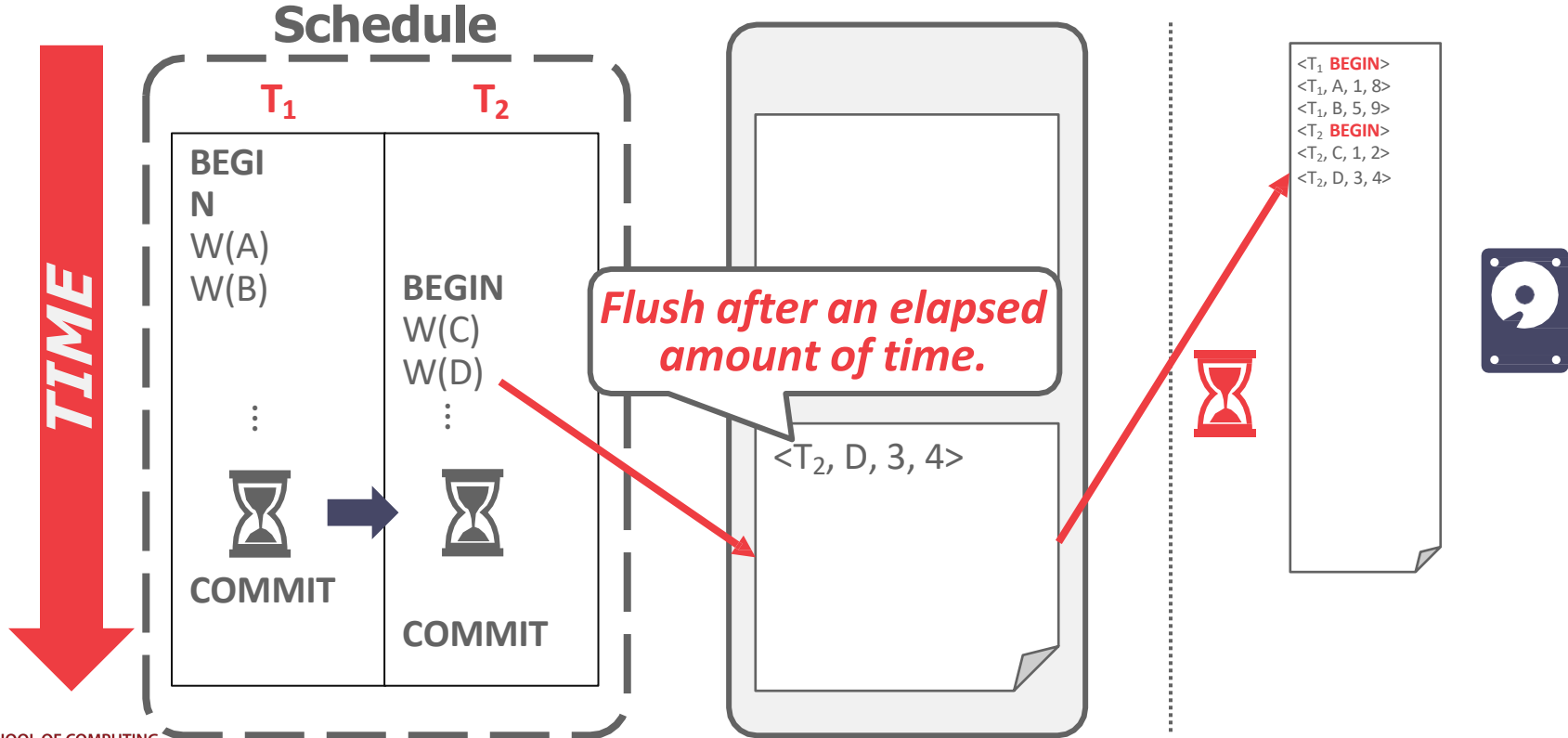
# WAL – GROUP COMMIT



# WAL – GROUP COMMIT



# WAL – GROUP COMMIT



# WAL – IMPLEMENTATION

***When should the DBMS write log entries to disk?***

- When the transaction commits.
- Can use group commit to batch multiple log flushes together to amortize overhead.

***When should the DBMS write dirty records to disk?***



# WAL – IMPLEMENTATION

## ***When should the DBMS write log entries to disk?***

- When the transaction commits.
- Can use group commit to batch multiple log flushes together to amortize overhead.

## ***When should the DBMS write dirty records to disk?***

- Every time the txn executes an update?
- Once when the txn commits?

# BUFFER POOL POLICIES

Almost every DBMS uses **NO-FORCE + STEAL**

## *Runtime Performance*

	NO-STEAL	STEAL
NO-FORCE	—	<b>Fastest</b>
FORCE	<b>Slowest</b>	—

## *Recovery Performance*

	NO-STEAL	STEAL
NO-FORCE	—	<b>Slowest</b>
FORCE	<b>Fastest</b>	—

# BUFFER POOL POLICIES

Almost every DBMS uses **NO-FORCE + STEAL**

## Runtime Performance

	NO-STEAL	STEAL
NO-FORCE	—	<b>Fastest</b>
FORCE	<b>Slowest</b>	—

## Recovery Performance

	NO-STEAL	STEAL
NO-FORCE	—	<b>Slowest</b>
FORCE	<b>Fastest</b>	—

**Undo + Redo**

**No Undo + No Redo**

# LOGGING SCHEMES

## Physical Logging

- Record the changes made to a specific location in the database.
- Example: **git diff**

## Logical Logging

- Record the high-level operations executed by txns.
- Not necessarily restricted to single page.
- Example: The **UPDATE**, **DELETE**, and **INSERT** queries invoked by a txn.

# PHYSICAL VS. LOGICAL LOGGING

Logical logging requires less data written in each log record than physical logging.

Difficult to implement recovery with logical logging if you have concurrent txns.

- Hard to determine which parts of the database may have been modified by a query before crash.
- Also takes longer to recover because you must re-execute every txn all over again.

# PHYSIOLOGICAL LOGGING

Hybrid approach where log records target a single page but do not specify organization of the page.

- Identify tuples based on their slot number.
- Allows DBMS to reorganize pages after a log record has been written to disk.

This is the most popular approach.

# LOGGING SCHEMES

```
UPDATE foo SET val = XYZ WHERE id = 1;
```

# LOGGING SCHEMES

```
UPDATE foo SET val = XYZ WHERE id = 1;
```

## Physical

```
<T1,  
Table=X,  
Page=99,  
Offset=4,  
Before=ABC,  
After=XYZ>  
  
<T1,  
Index=X_PKEY,  
Page=45,  
Offset=9,  
Key=(1,Record1)>
```



# LOGGING SCHEMES

```
UPDATE foo SET val = XYZ WHERE id = 1;
```

## Physical

```
<T1,  
Table=X,  
Page=99,  
Offset=4,  
Before=ABC,  
After=XYZ>  
  
<T1,  
Index=X_PKEY,  
Page=45,  
Offset=9,  
Key=(1,Record1)>
```

## Logical

```
<T1,  
Query="UPDATE foo  
SET val=XYZ  
WHERE id=1">
```

# LOGGING SCHEMES

```
UPDATE foo SET val = XYZ WHERE id = 1;
```

## Physical

```
<T1,  
Table=X,  
Page=99,  
Offset=4,  
Before=ABC,  
After=XYZ>  
<T1,  
Index=X_PKEY,  
Page=45,  
Offset=9,  
Key=(1,Record1)>
```

## Logical

```
<T1,  
Query="UPDATE foo  
SET val=XYZ  
WHERE id=1">
```

## Physiological

```
<T1,  
Table=X,  
Page=99,  
Slot=1,  
Before=ABC,  
After=XYZ>  
<T1,  
Index=X_PKEY,  
IndexPage=45,  
Key=(1,Record1)>
```

# CHECKPOINTS

The WAL will grow forever.

After a crash, the DBMS must replay the entire log, which will take a long time.

The DBMS periodically takes a checkpoint where it flushes all buffers out to disk.

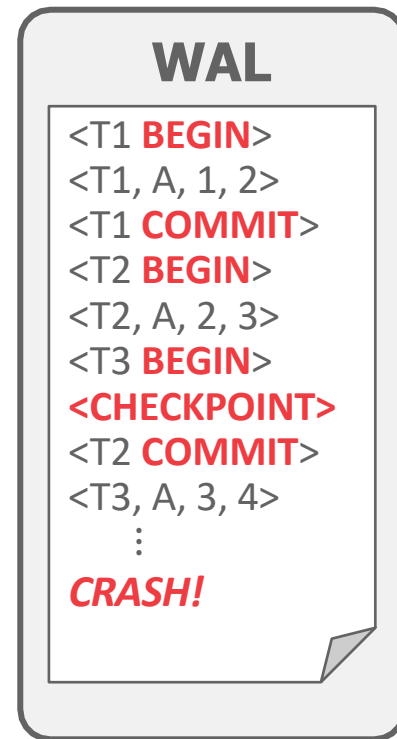
# CHECKPOINTS

Output onto stable storage all log records currently residing in main memory.

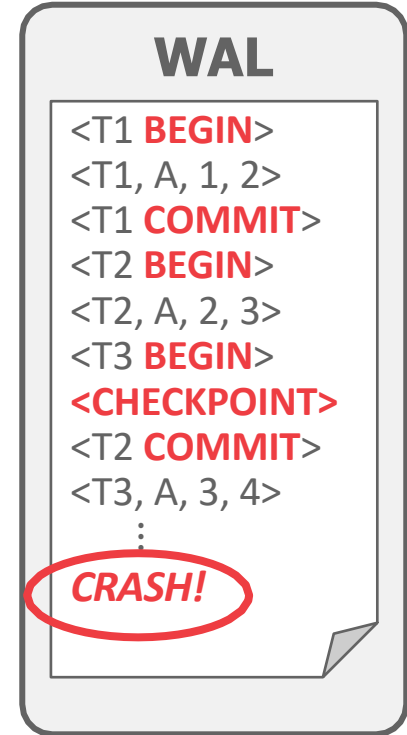
Output to the disk all modified blocks.

Write a **<CHECKPOINT>** entry to the log and flush to stable storage.

# CHECKPOINTS

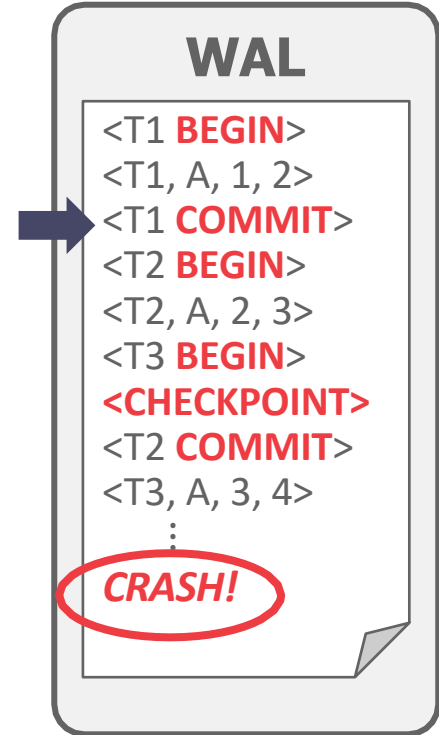


# CHECKPOINTS



# CHECKPOINTS

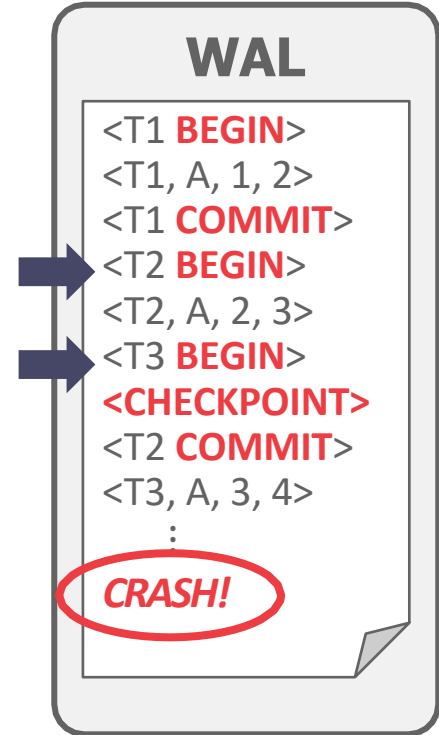
Any txn that committed before the checkpoint is ignored ( $T_1$ ).



# CHECKPOINTS

Any txn that committed before the checkpoint is ignored ( $T_1$ ).

$T_2 + T_3$  did not commit before the last checkpoint.





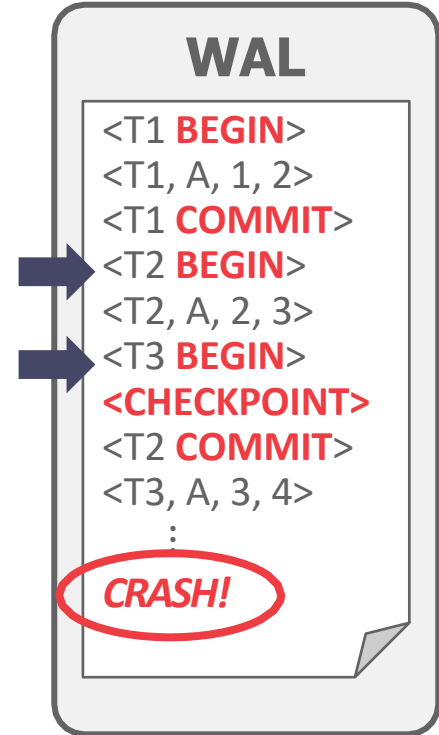
# CHECKPOINTS

Any txn that committed before the checkpoint is ignored ( $T_1$ ).

$T_2 + T_3$  did not commit before the last checkpoint.

→ Need to redo  $T_2$  because it committed after checkpoint.

→ Need to undo  $T_3$  because it did not commit before the crash.



# CHECKPOINTS – CHALLENGES

The DBMS must stall txns when it takes a checkpoint to ensure a consistent snapshot.

Scanning the log to find uncommitted txns can take a long time.

Not obvious how often the DBMS should take a checkpoint...

# CHECKPOINTS – FREQUENCY

Checkpointing too often causes the runtime performance to degrade.

→ System spends too much time flushing buffers.

But waiting a long time is just as bad:

→ The checkpoint will be large and slow.

→ Makes recovery time much longer.

# CONCLUSION

Write-Ahead Logging is (almost) always the best approach to handle loss of volatile storage.

Use incremental updates (**STEAL + NO-FORCE**) with checkpoints.

On Recovery: undo uncommitted txns + redo committed txns.