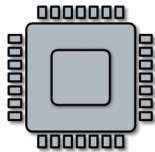
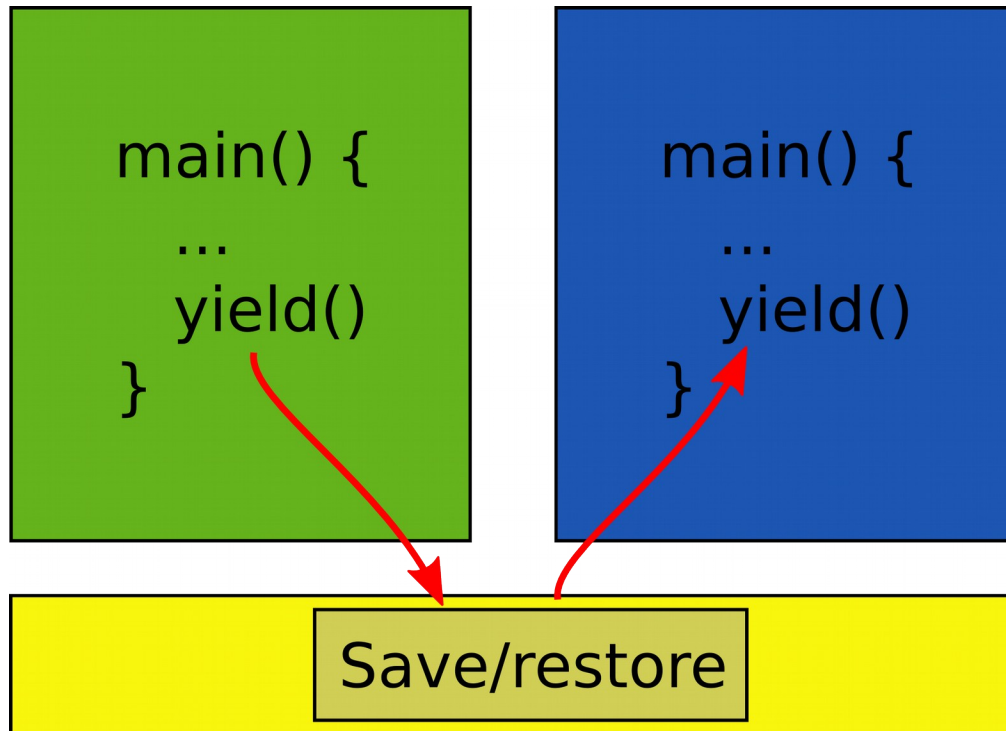


Operating Systems

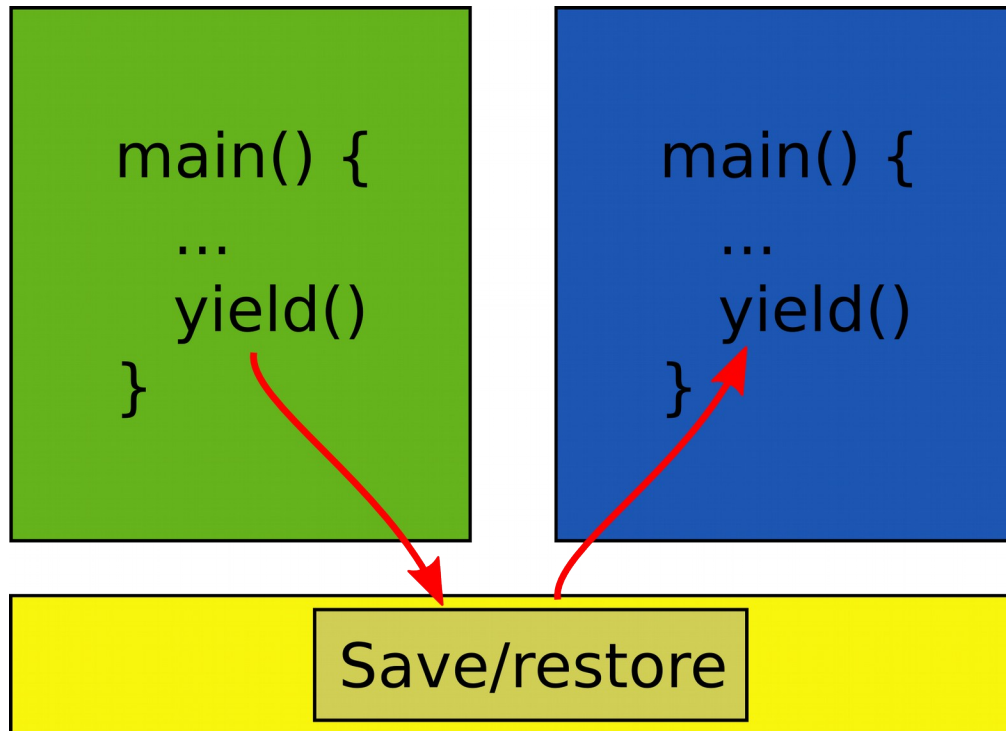
Address translation (Segmentation and Paging)

Anton Burtsev
October, 2021

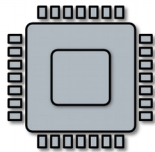
Two programs one memory



Two programs one memory



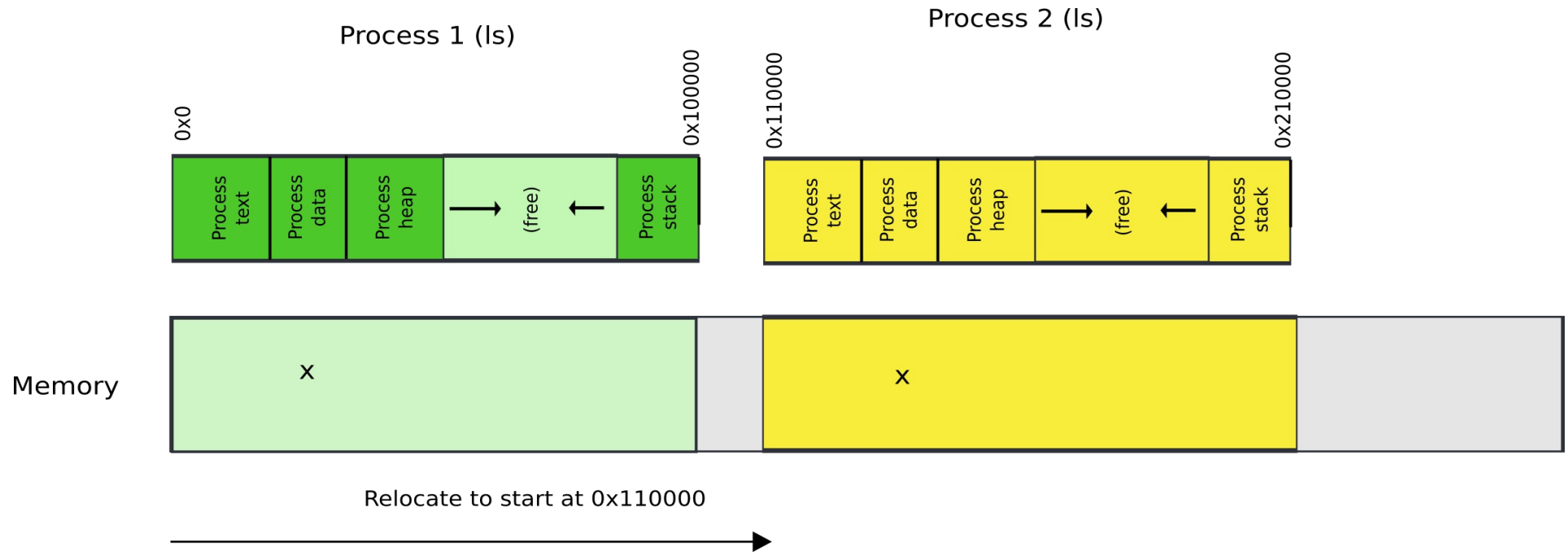
- How can we do this?



Relocation

- One way to achieve this is to relocate program at different addresses
 - Remember relocation (from linking and loading)

Relocate binaries to work at different addresses



- One way to achieve this is to relocate program at different addresses
 - Remember relocation (from linking and loading)
 - This works! But not ideal.
- What is the problem?

- One way to achieve this is to relocate program at different addresses
 - Remember relocation (from linking and loading)
 - **This works! But not ideal.**
- What is the problem?
 - Isolation can be enforced in software
 - Software Fault Isolation (SFI)
 - Google NaCl (Chrome Sandbox)
 - WASM (Web Assembly, another sandbox standard)

- Another way is to ask for hardware support

Segmentation

What are we aiming for?

- Illusion of a private address space
 - Identical copy of an address space in multiple programs
 - Simplifies software architecture
 - One program is not restricted by the memory layout of the others

Two processes, one memory?

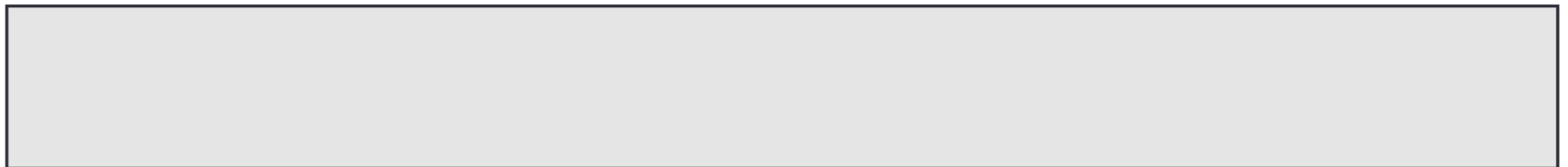
Process 1 (ls)



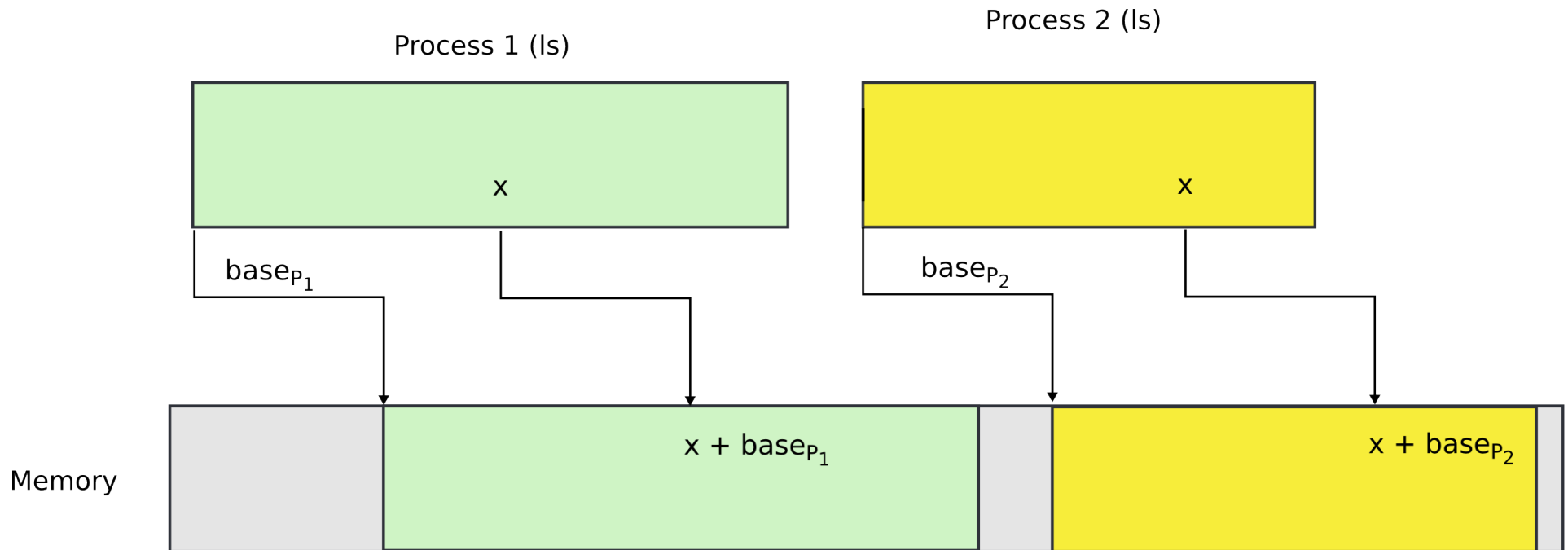
Process 2 (ls)



Memory



Two processes, one memory?



- We want hardware to add base value to every address used in the program

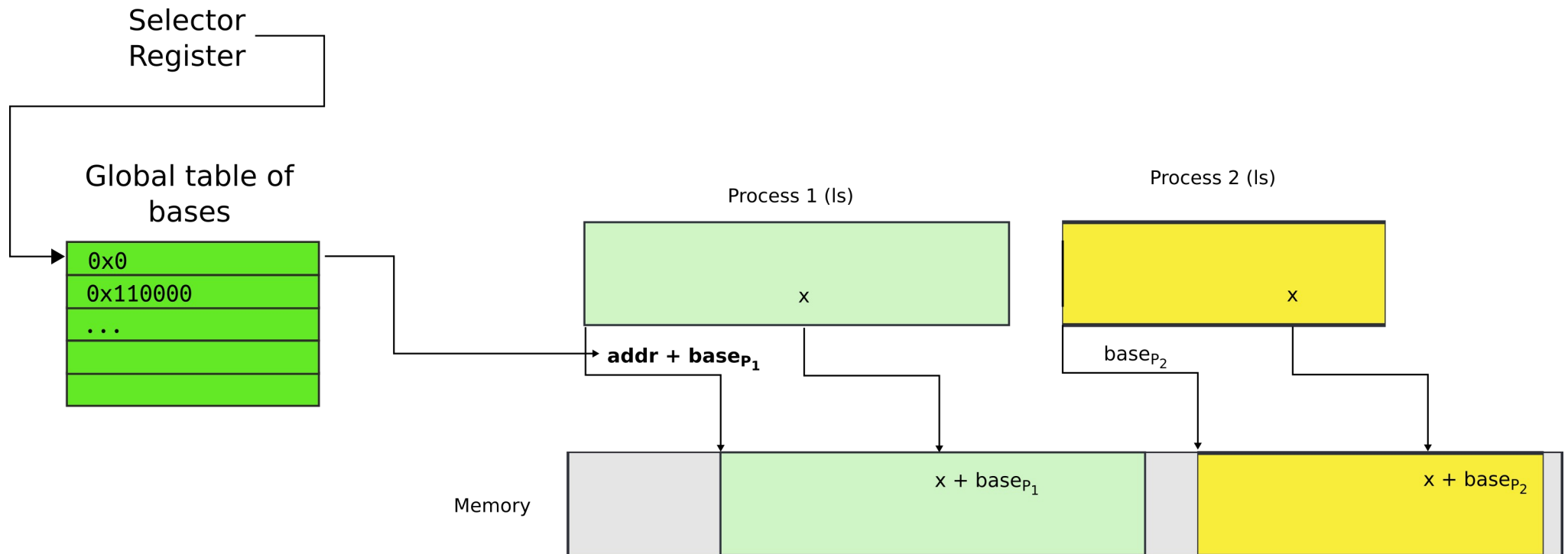
Seems easy

- One problem
 - Where does this base address come from?

Seems easy

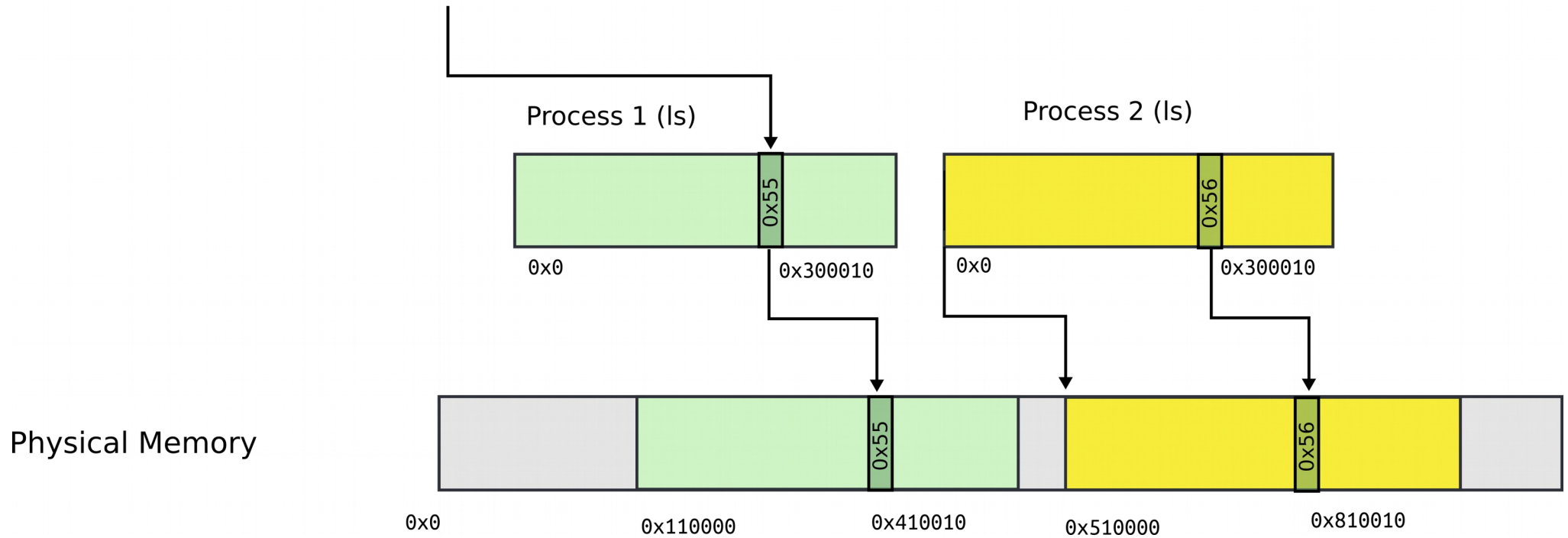
- One problem
 - Where does this base address come from?
 - Hardware can maintain a table of base addresses
 - One base for each process
 - Dedicate a special register to keep an index into that table

- One problem
 - Where does this base address come from?
 - Hardware can maintain a table of base addresses
 - One base for each process
 - Dedicate a special register to keep an index into that table



Segmentation: example

```
mov (%EBX), EAX # mov value from the location pointed by EBX into EAX  
EAX = 0x0  
EBX = 0x300010
```

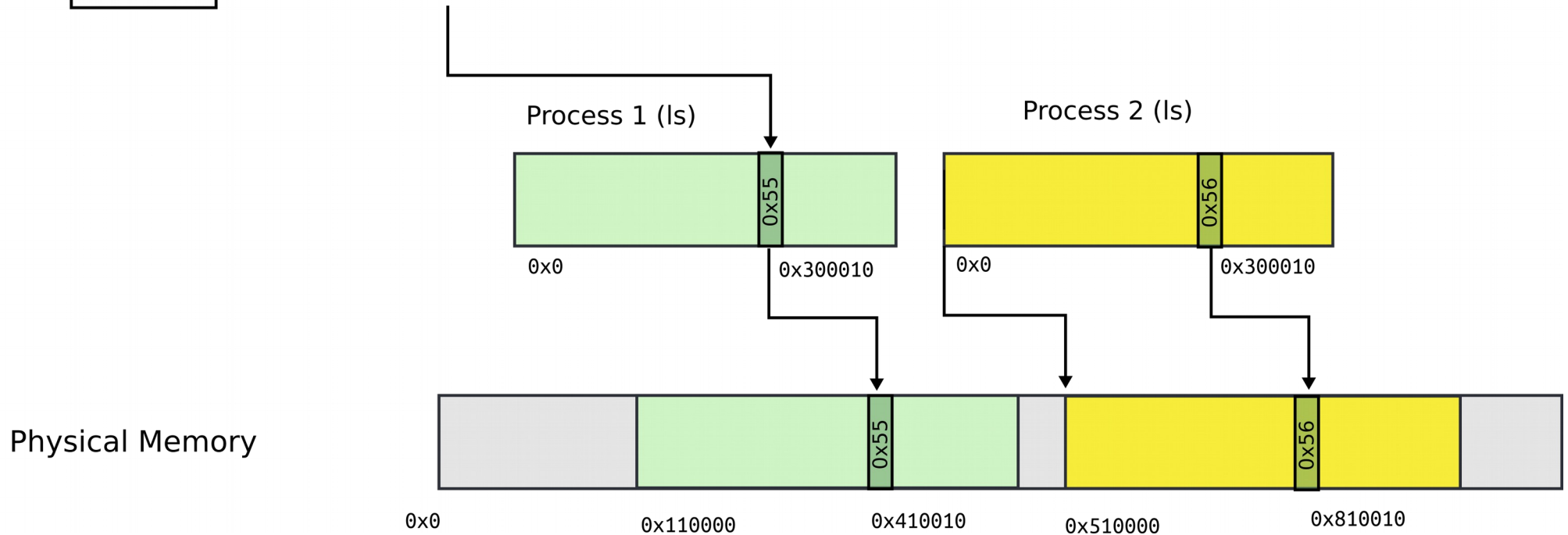


Segmentation: address consists of two parts

Segment register
(CS, SS, DS, ES, FS, GS)

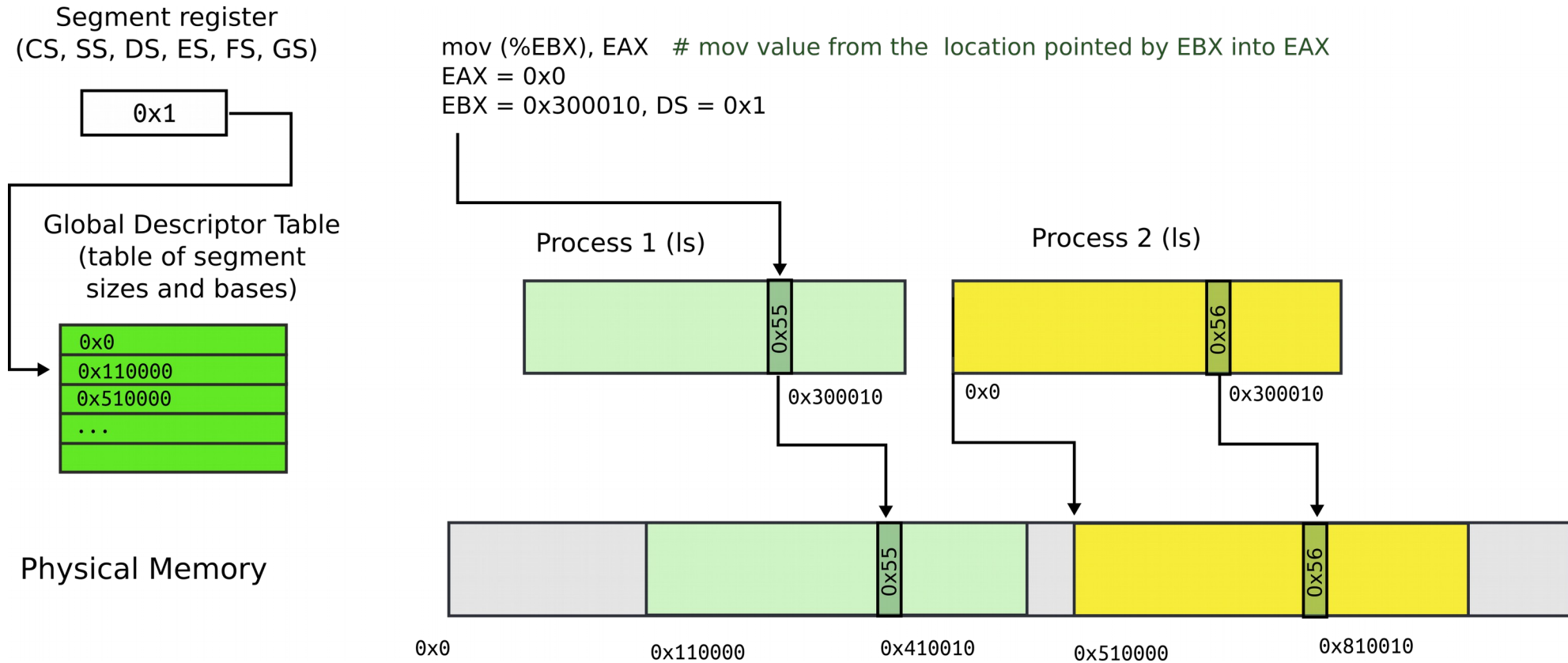
0x1

```
mov(%EBX), EAX # mov value from the location pointed by EBX into EAX  
EAX = 0x0  
EBX = 0x300010, DS = 0x1
```



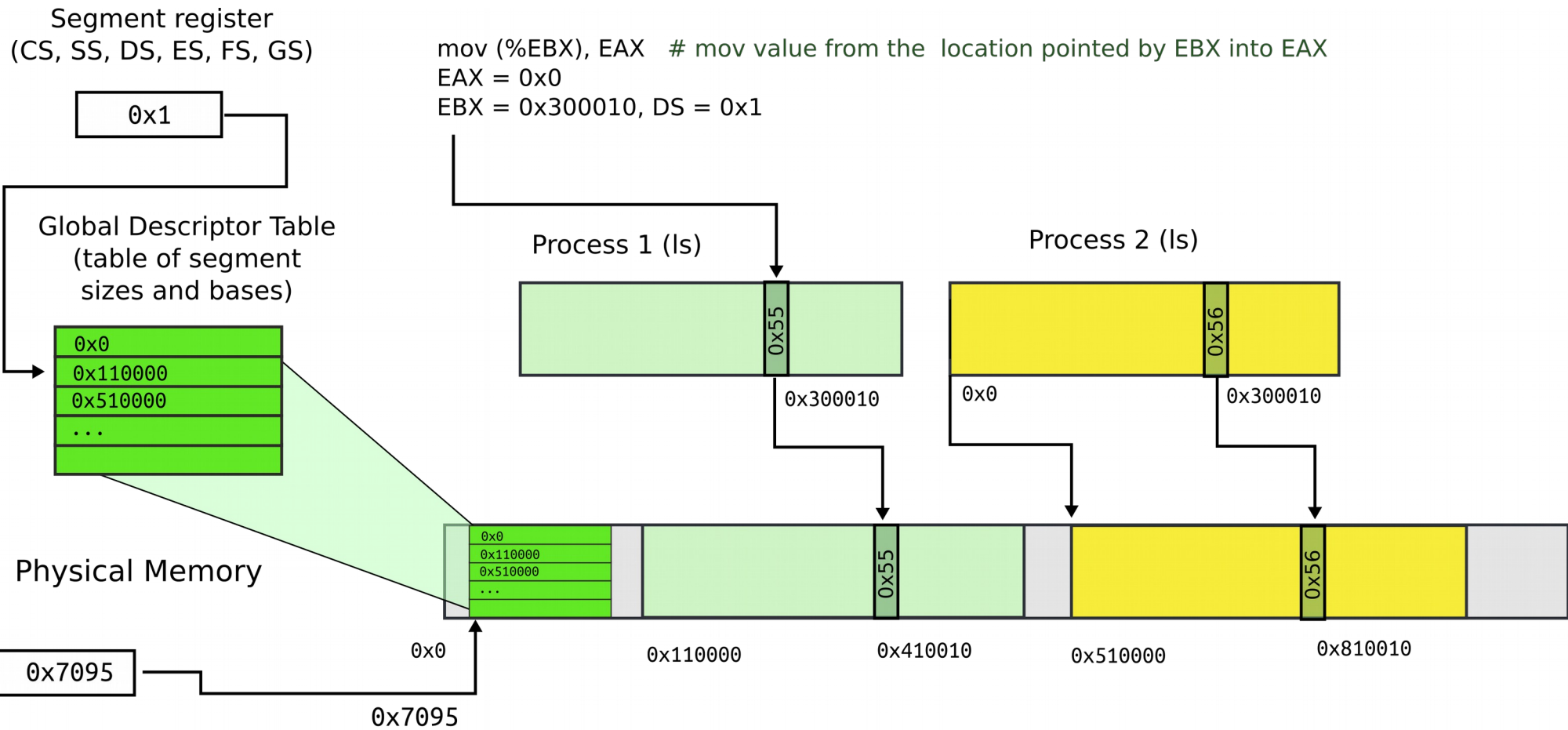
- Segment register contains segment selector
- General registers contain offsets
- Intel calls this address: “logical address”

Segmentation: Global Descriptor Table



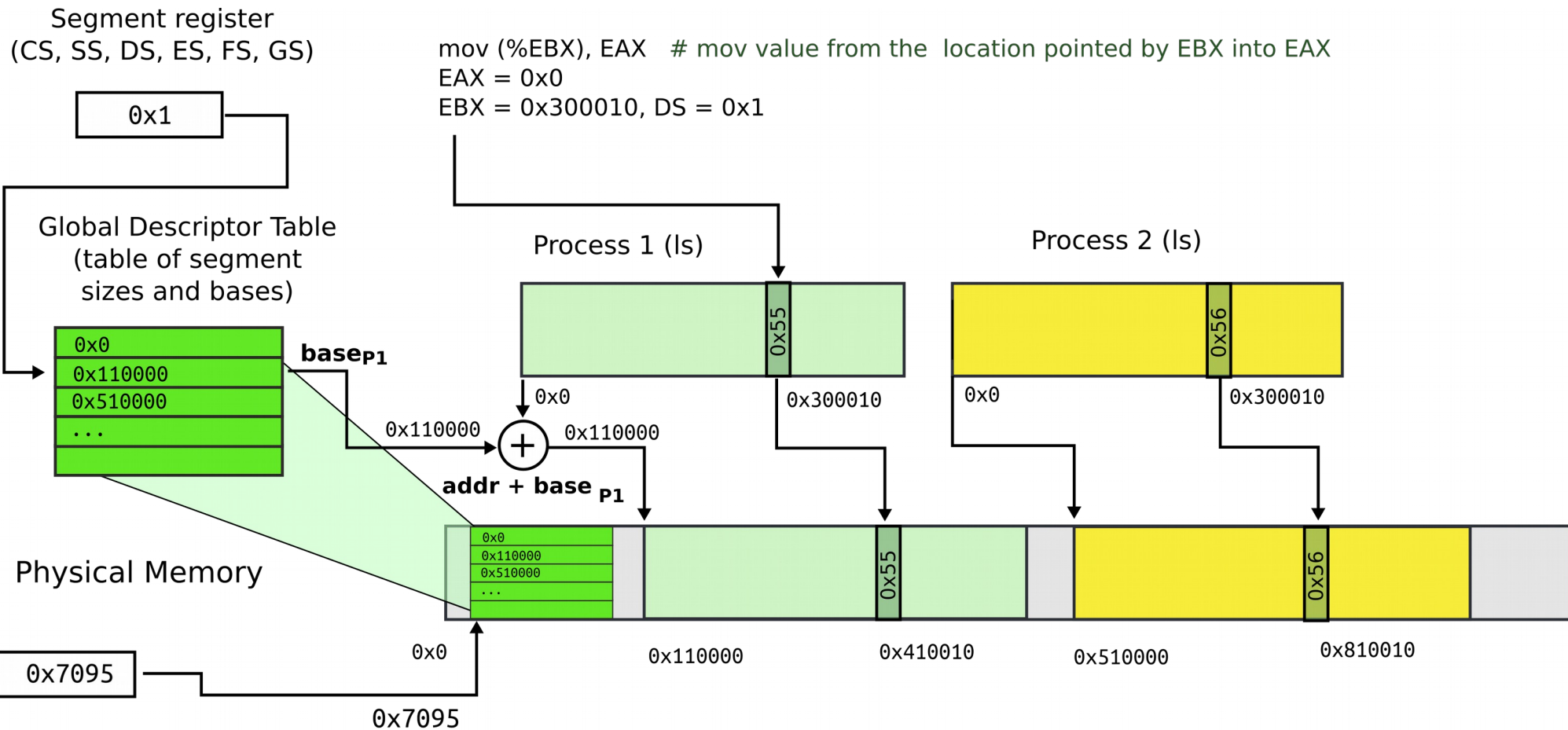
- GDT is an array of segment descriptors
 - Each descriptor contains base and limit for the segment
 - Plus access control flags

Segmentation: Global Descriptor Table



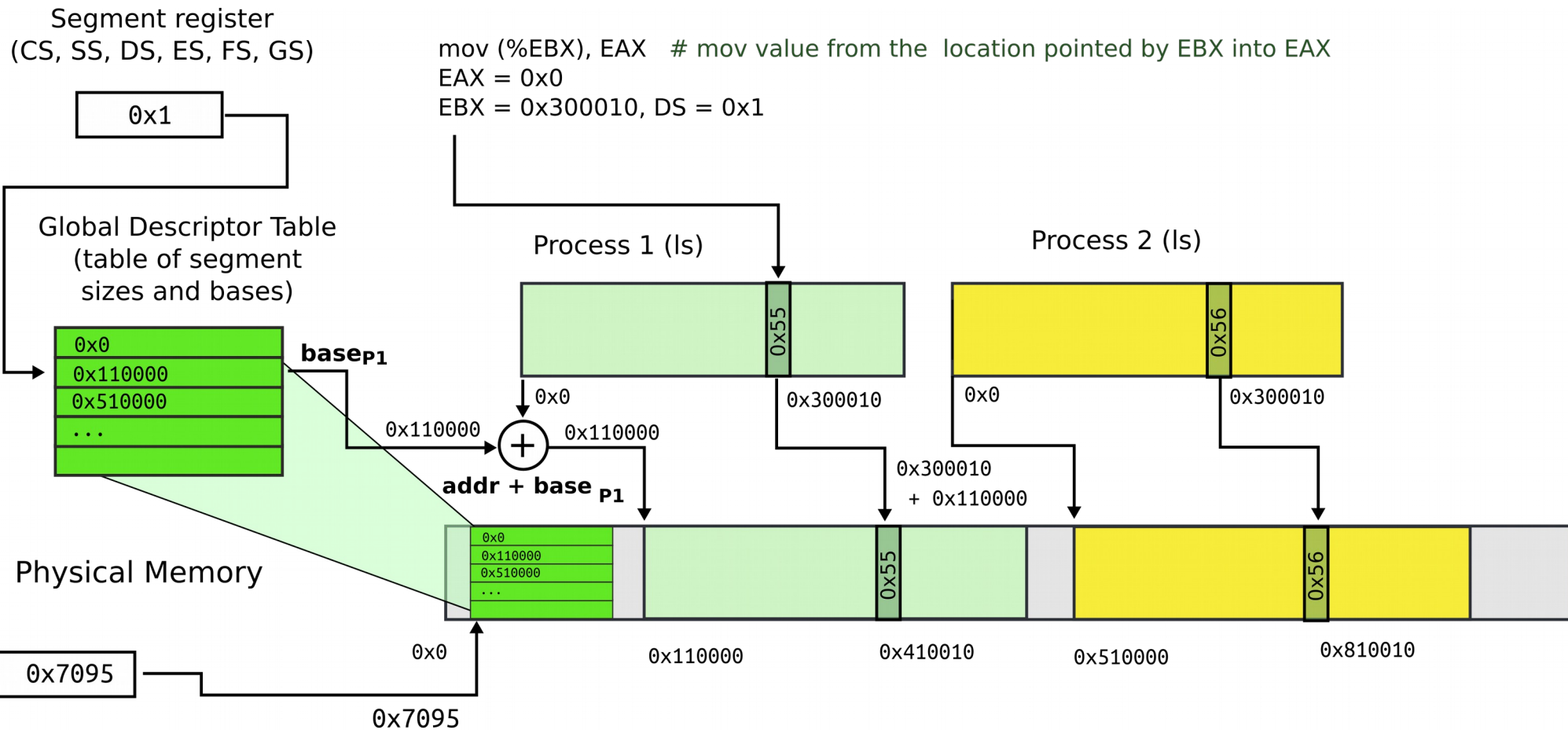
- Location of GDT in physical memory is pointed by the GDT register

Segmentation: base + offset



- Segment register (0x1) chooses an entry in GDT
- This entry contains base of the segment (0x110000) and limit (size) of the segment (not shown)

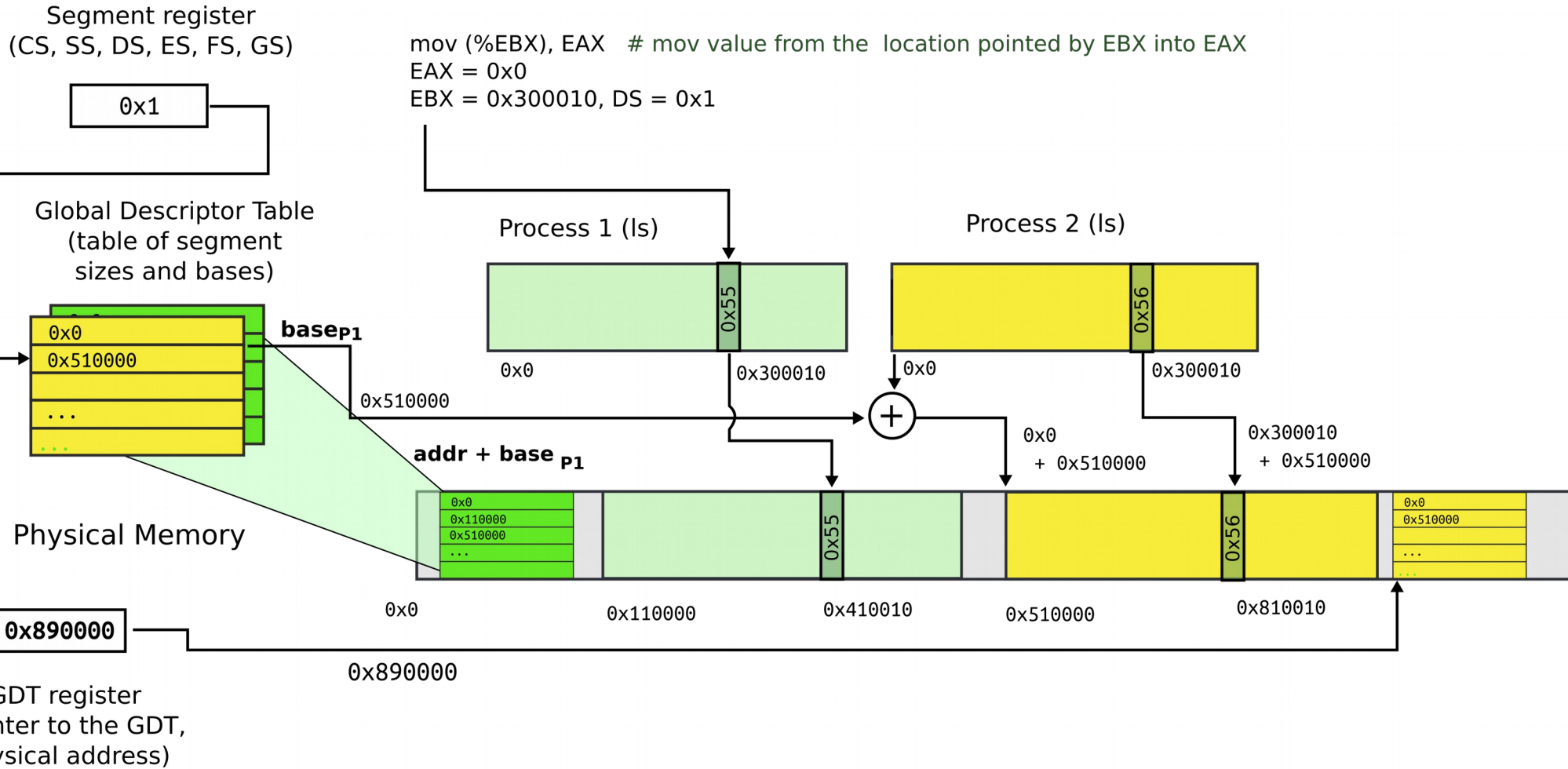
Segmentation: base + offset



```
mov (%EBX), EAX # mov value from the location pointed by EBX into EAX  
EAX = 0x0  
EBX = 0x300010, DS = 0x1
```

- Physical address:
 - 0x410010 = 0x300010 (offset) + 0x110000 (base)
 - Intel calls this address “linear”

Segmentation: process 2

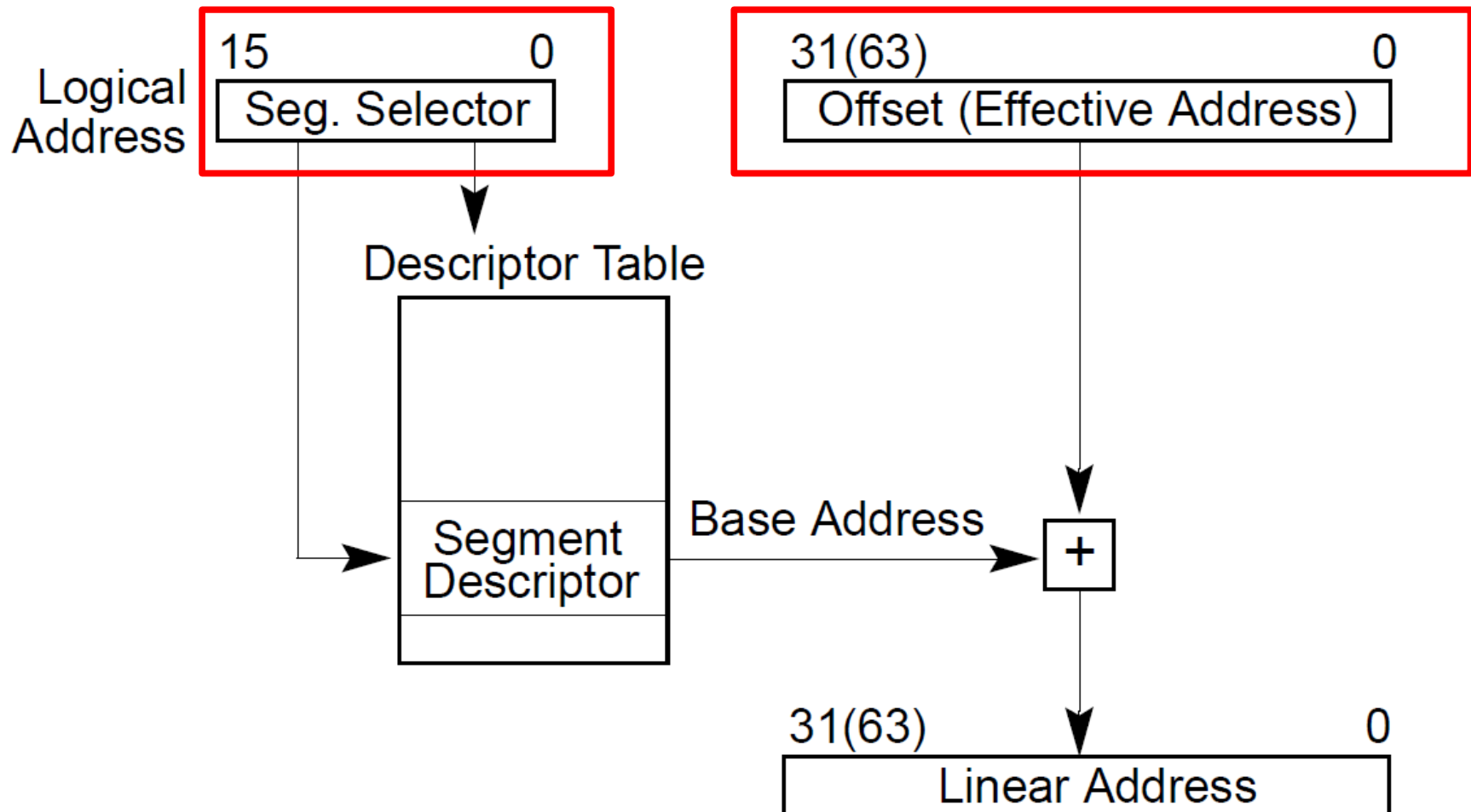


- Each process has a private GDT
 - OS will switch between GDTs

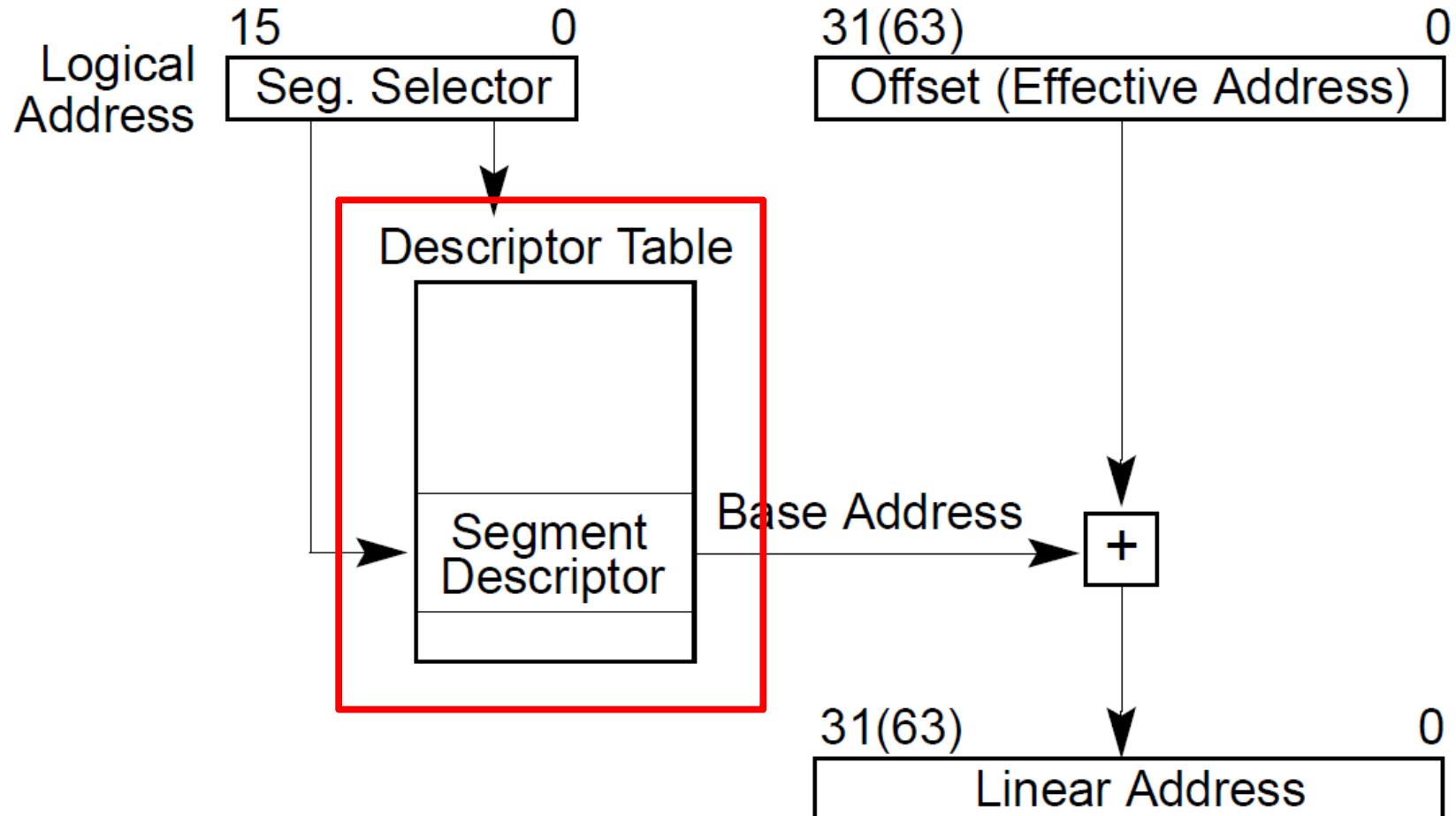
New addressing mode:
“logical addresses”

All addresses are logical address

- They consist of two parts
 - Segment selector (16 bit) + offset (32 bit)



- Segment selector (16 bit)
 - Is simply an index into an array (Descriptor Table)
 - That holds segment descriptors
 - Base and limit (size) for each segment



Elements of the descriptor table are **segment descriptors**

- Base address

- 0 – 4 GB

- Limit (size)

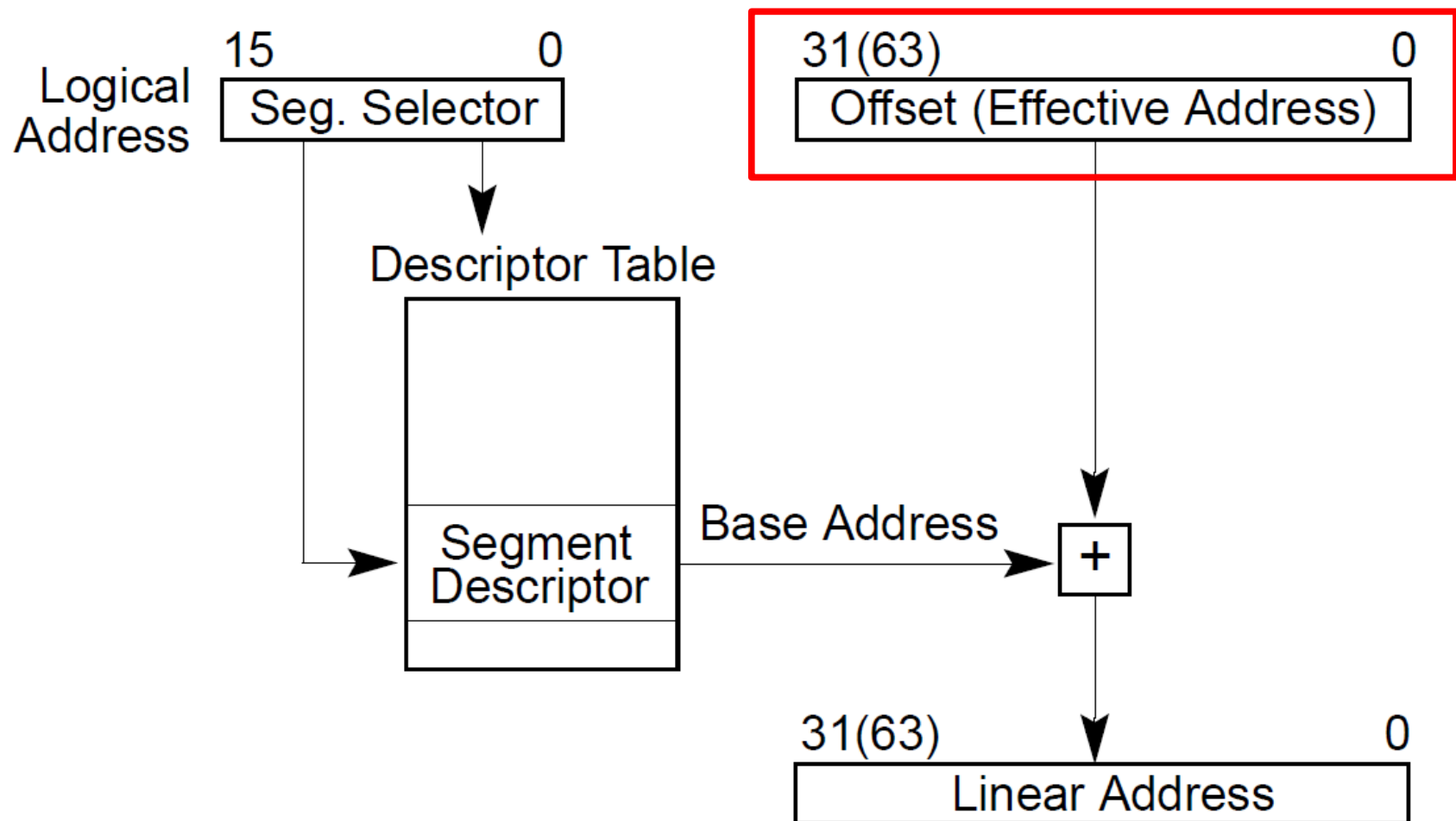
- 0 – 4 GB

Access	Limit
Base Address	

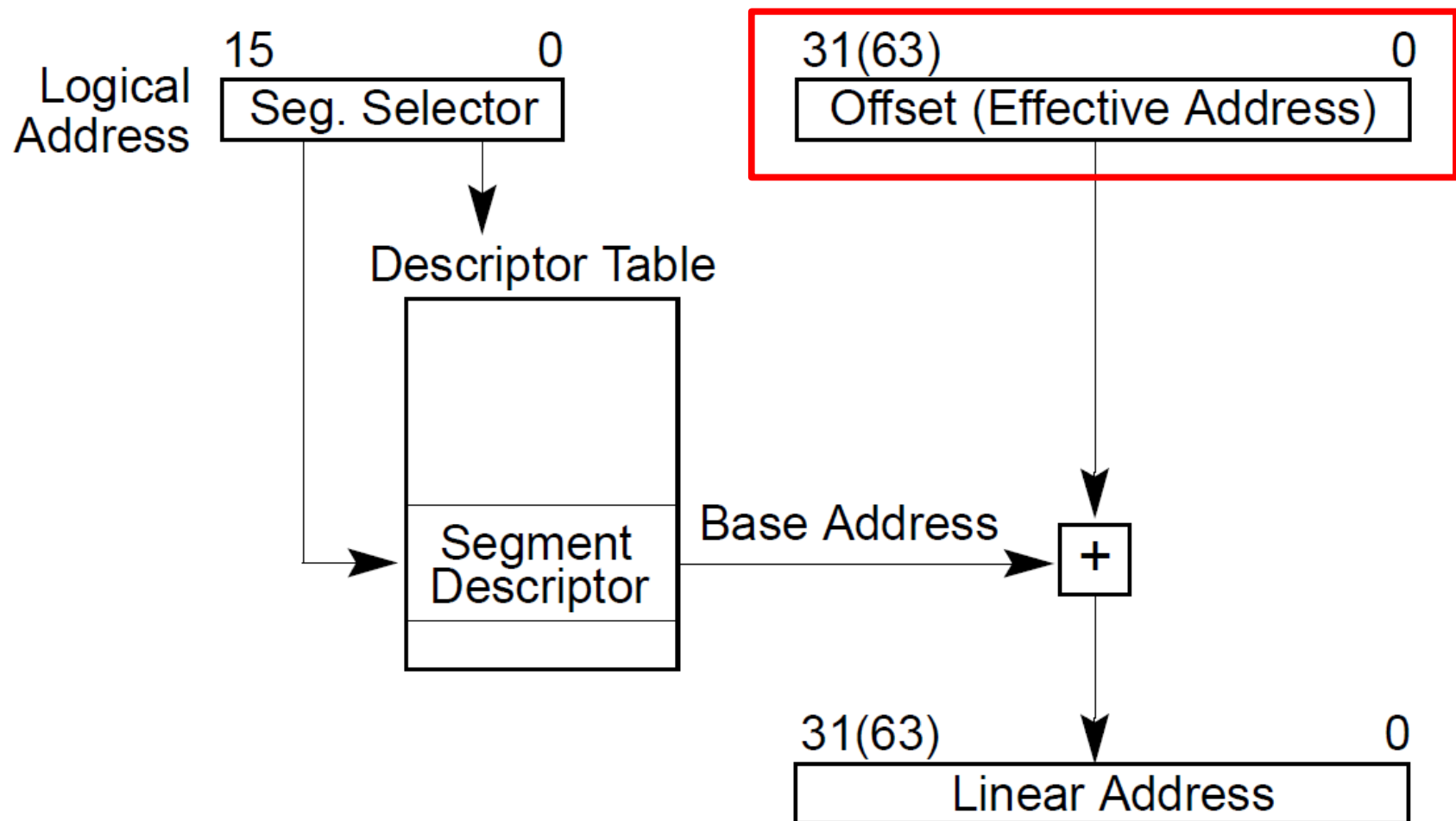
- Access rights

- Executable, readable, writable
- Privilege level (0 - 3)

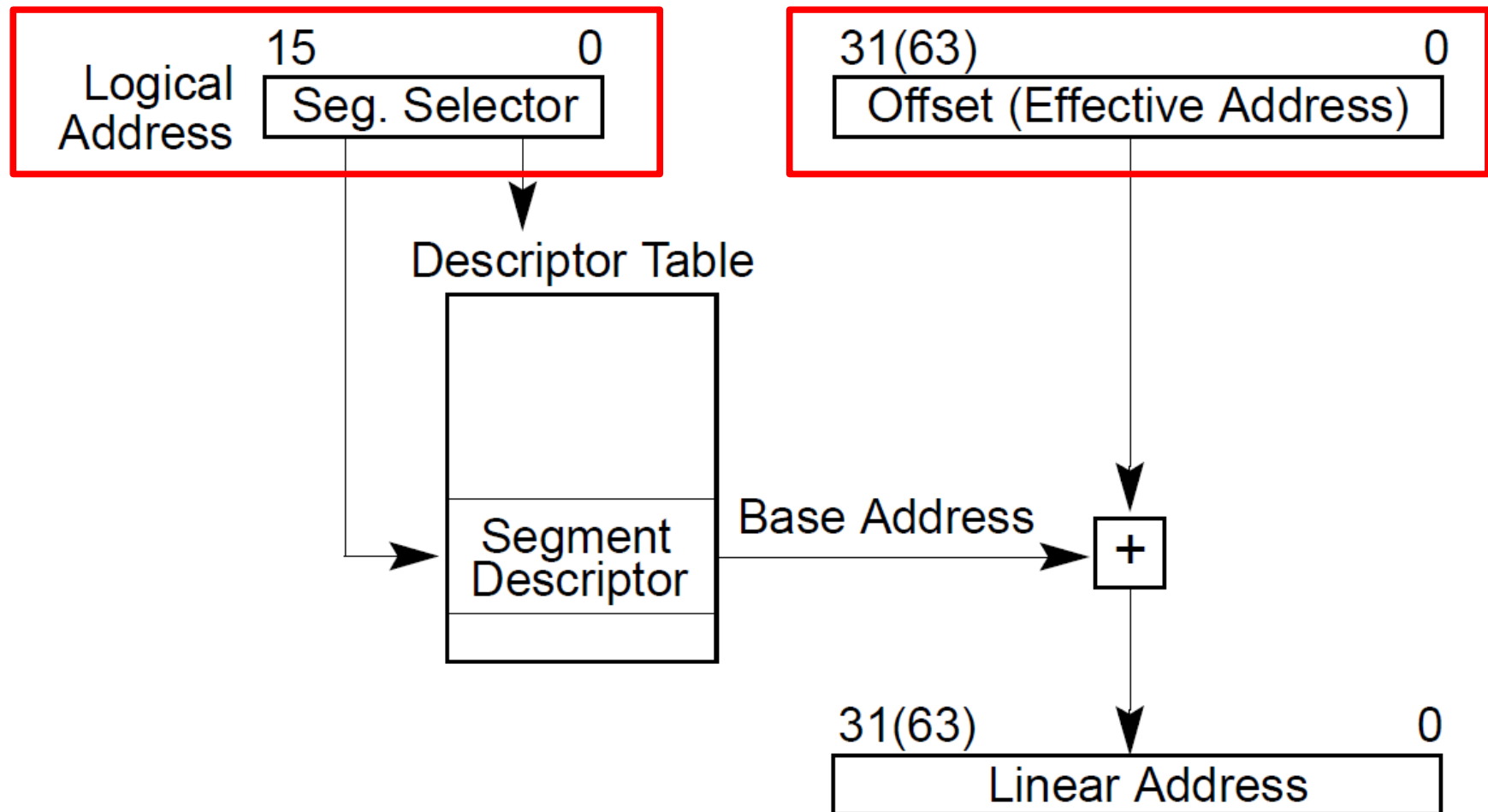
- Offsets into segments (x in our example) or “Effective addresses” are in registers



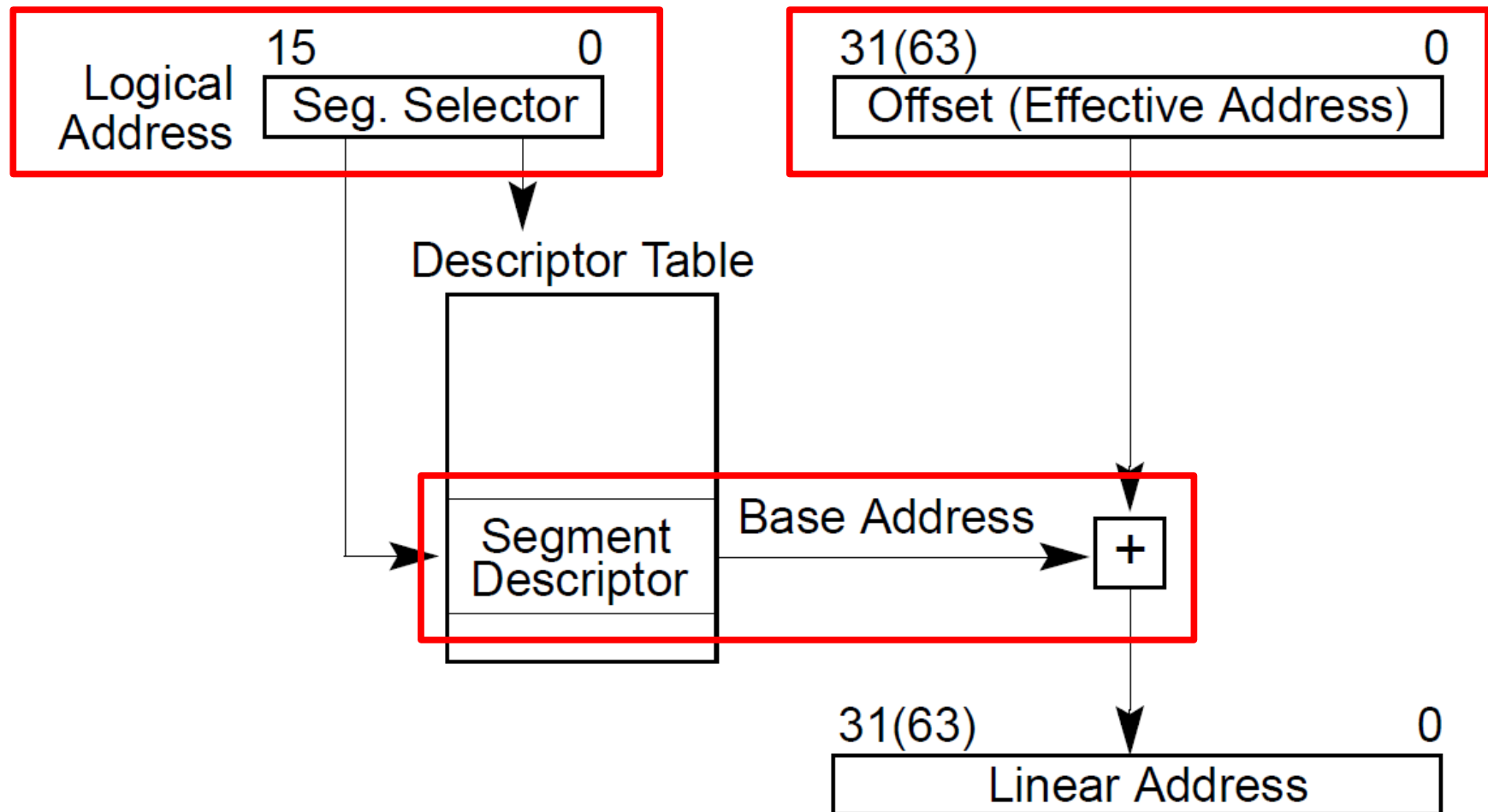
- Logical addresses are translated into physical
 - *Effective address + DescriptorTable[selector].Base*



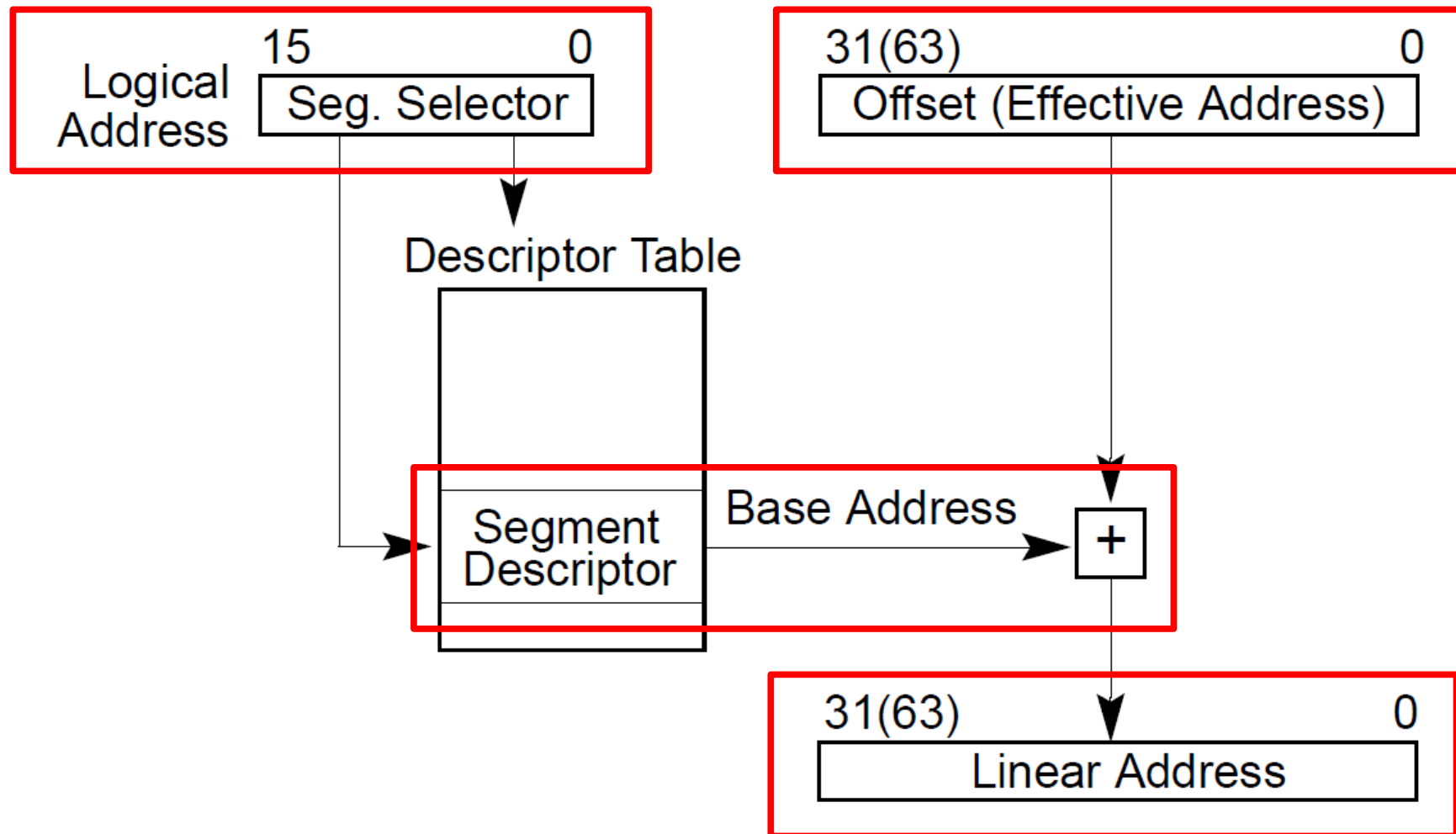
- Logical addresses are translated into physical
 - Effective address + DescriptorTable[selector].Base



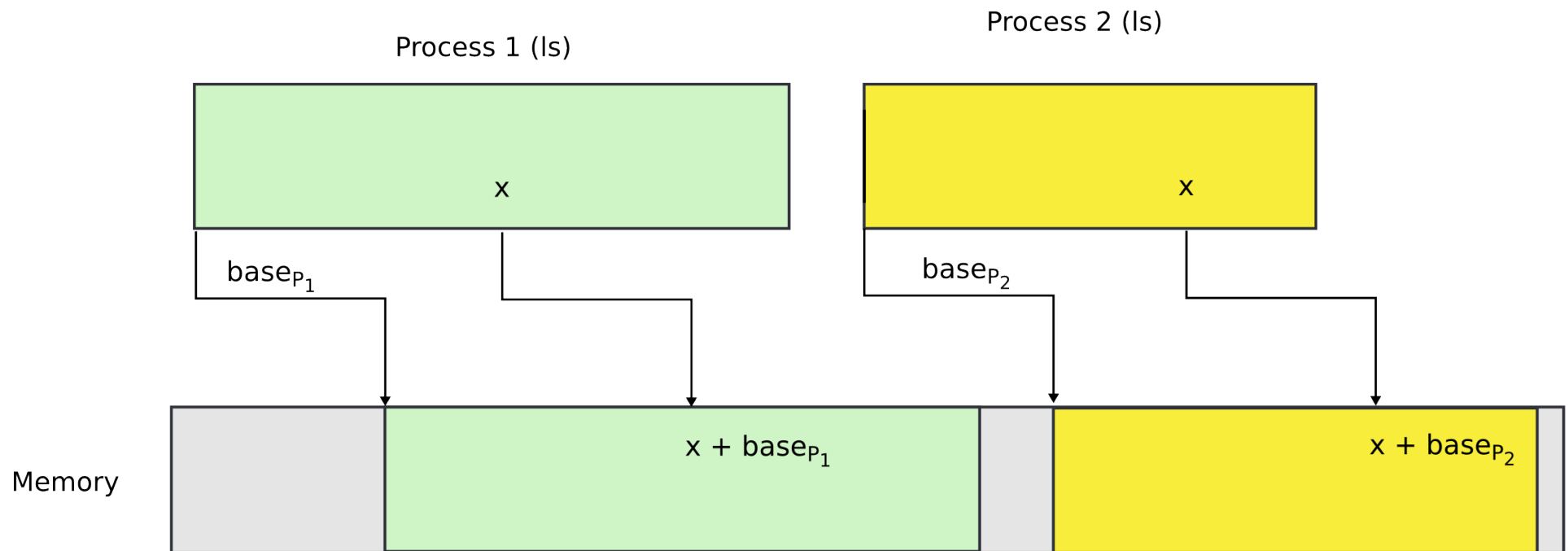
- Logical addresses are translated into physical
 - Effective address + DescriptorTable[selector].Base



- Logical addresses are translated into physical
 - Effective address + DescriptorTable[selector].Base



- *Physical address =*
Effective address + DescriptorTable[selector].Base
- Effective addresses (or offsets) are in registers
- **Selector is in a special register**



Segment registers

- Hold 16 bit segment selectors
 - Indexes into GDT
- Segments are associated with one of three types of storage
 - Code
 - Data
 - Stack

Segmented programming (not real)

```
static int x = 1;
int y; // stack
if (x) {
    y = 1;
    printf ("Boo");
} else
    y = 0;
```

```
ds:x = 1; // data
ss:y;     // stack
if (ds:x) {
    ss:y = 1;
    cs:printf(ds:"Boo");
} else
    ss:y = 0;
```

Programming model

- Segments for: code, data, stack, “extra”
 - A program can have up to 6 total segments
 - Segments identified by registers: cs, ds, ss, es, fs, gs
- Prefix all memory accesses with desired segment:
 - `mov eax, ds:0x80` (load offset 0x80 from data into eax)
 - `jmp cs:0xab8` (jump execution to code offset 0xab8)
 - `mov ss:0x40, ecx` (move ecx to stack offset 0x40)

Programming model, cont.

- This is cumbersome,
- Instead the idea is: infer code, data and stack segments from the instruction type:
 - Control-flow instructions use code segment (jump, call)
 - Stack management (push/pop) uses stack
 - Most loads/stores use data segment
- Extra segments (es, fs, gs) must be used explicitly

Code segment

- Code
 - CS register
 - EIP is an offset inside the segment stored in CS
- Can only be changed with
 - procedure calls,
 - interrupt handling, or
 - task switching

Data segment

- Data
 - DS, ES, FS, GS
 - 4 possible data segments can be used at the same time

Stack segment

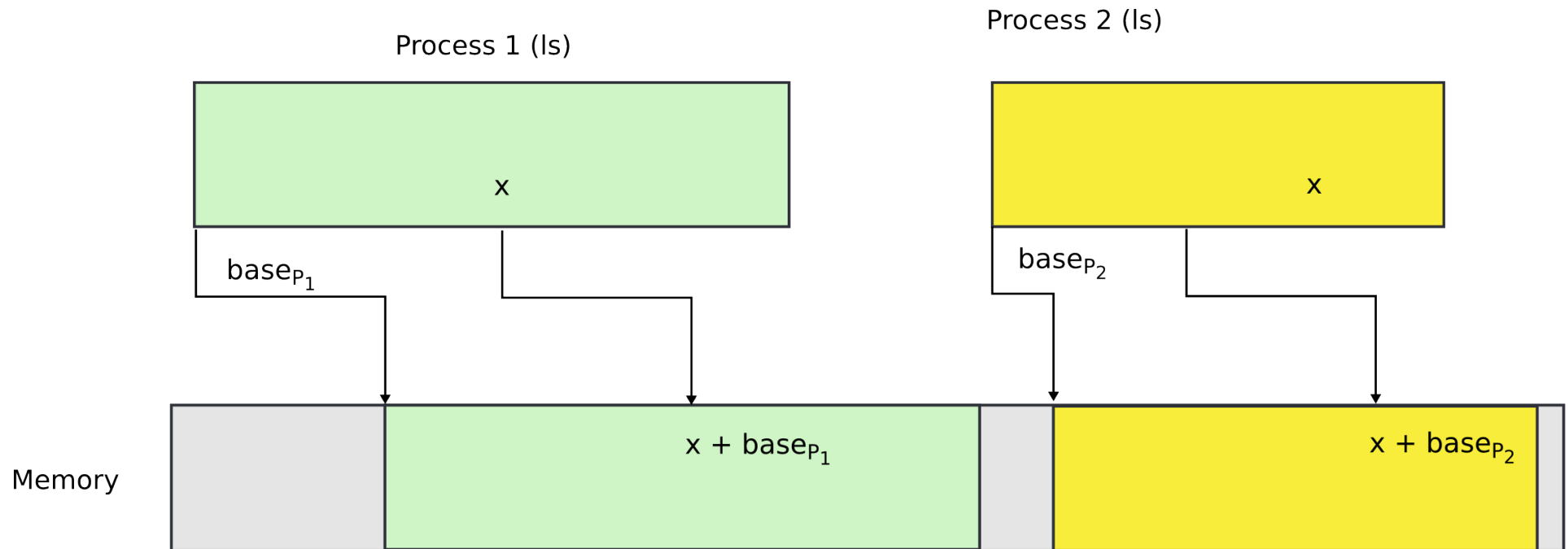
- Stack
 - SS
- Can be loaded explicitly
 - OS can set up multiple stacks
 - Of course, only one is accessible at a time

Segmentation: what did we achieve

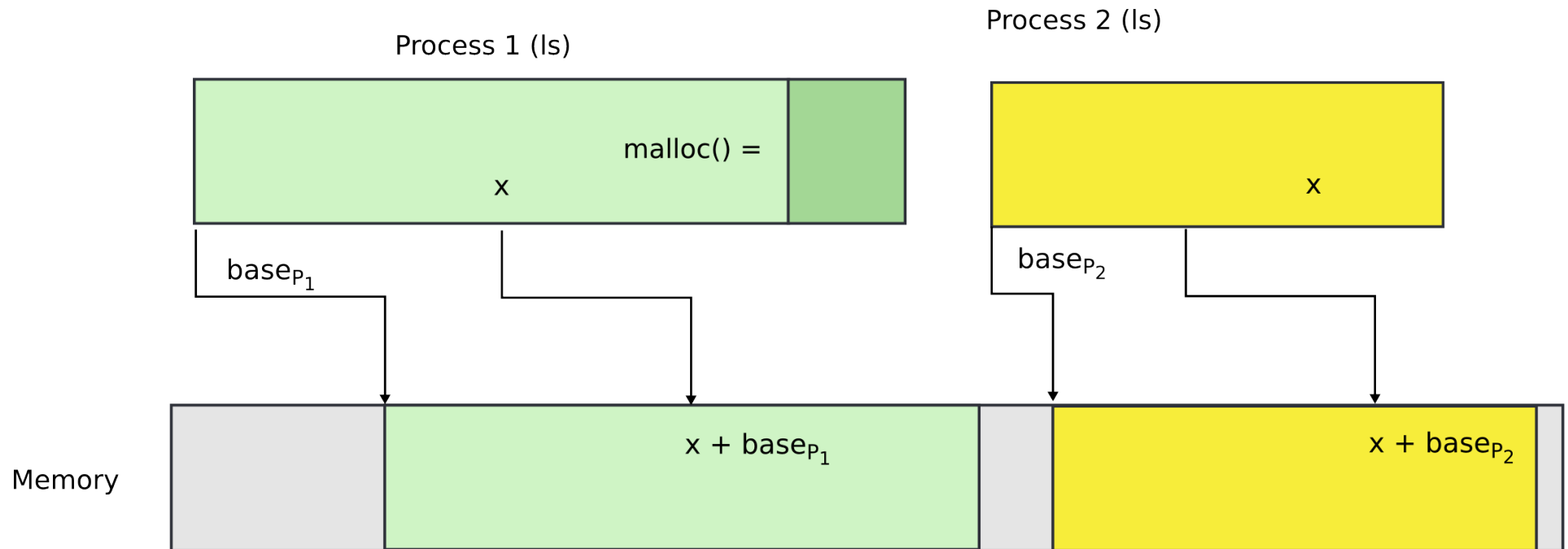
- Illusion of a private address space
 - Identical copy of an address space in multiple programs
 - We can implement `fork()`
- Isolation
 - Processes cannot access memory outside of their segments

Segmentation works for isolation, i.e., it does provide programs with illusion of private memory

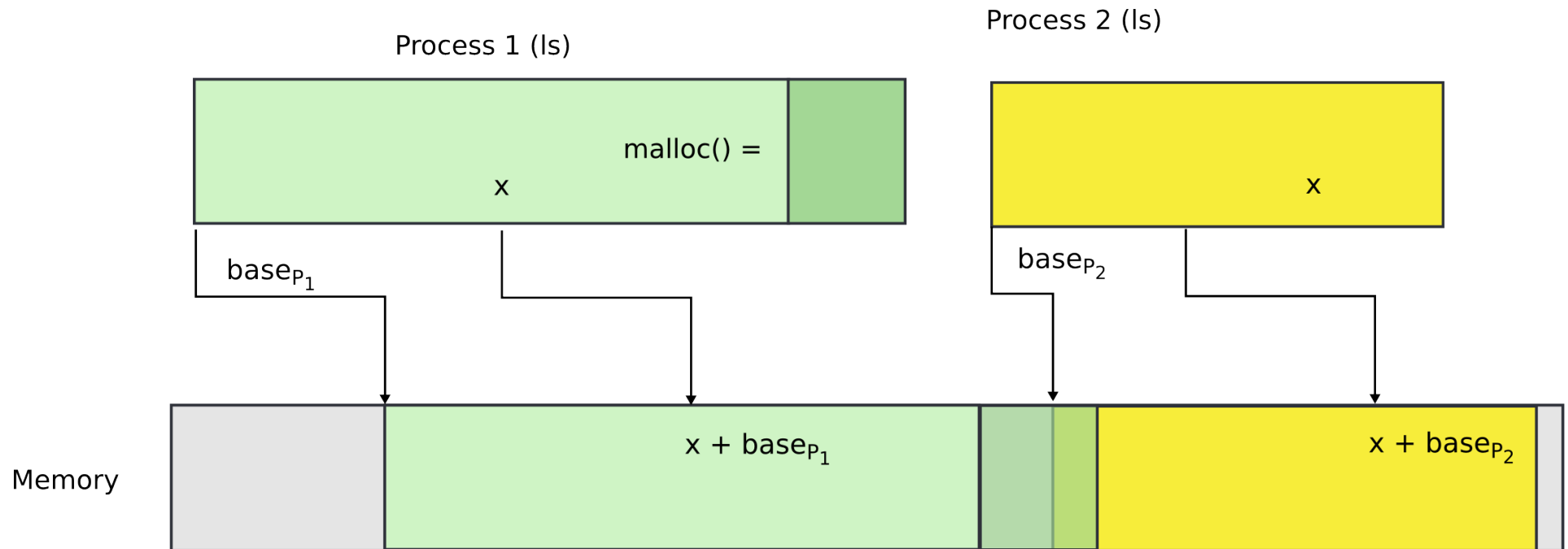
Segmentation is ok... but



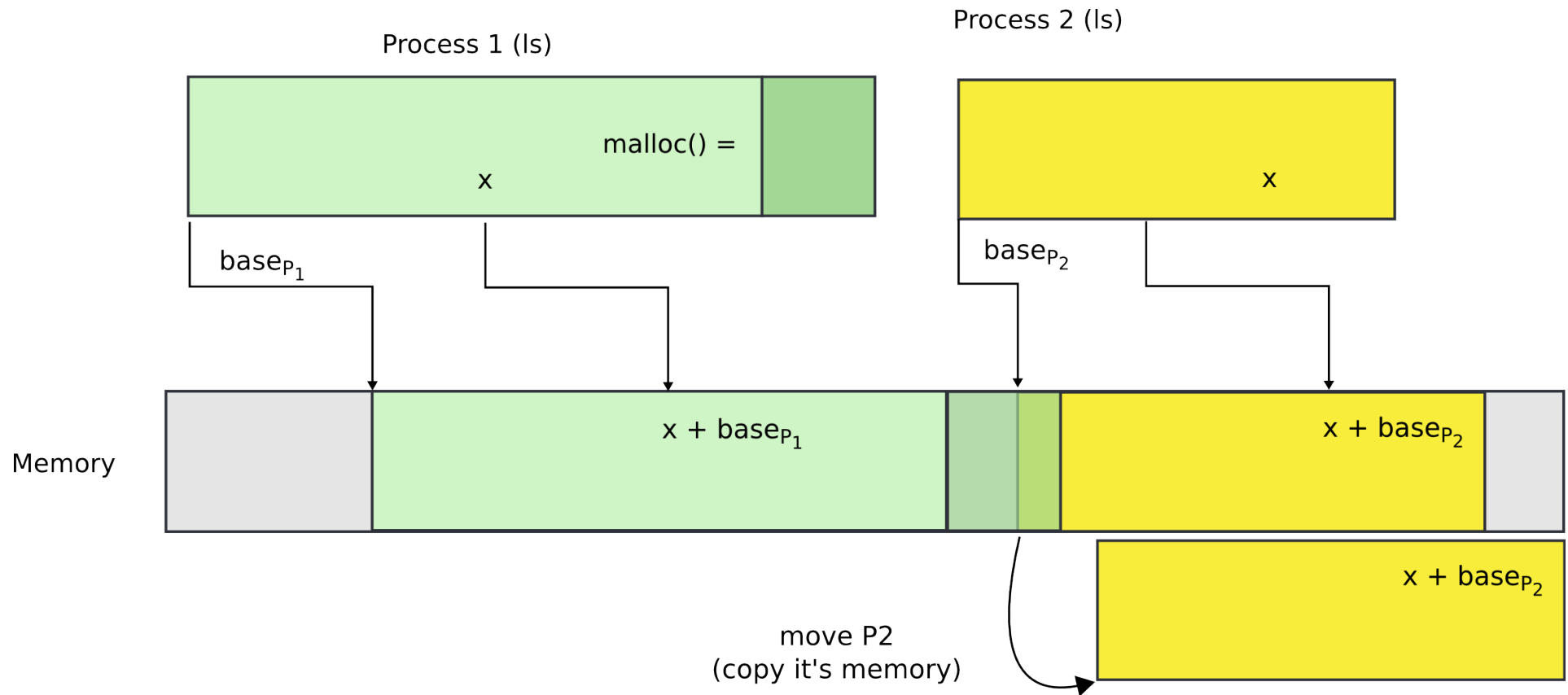
What if process needs more memory?



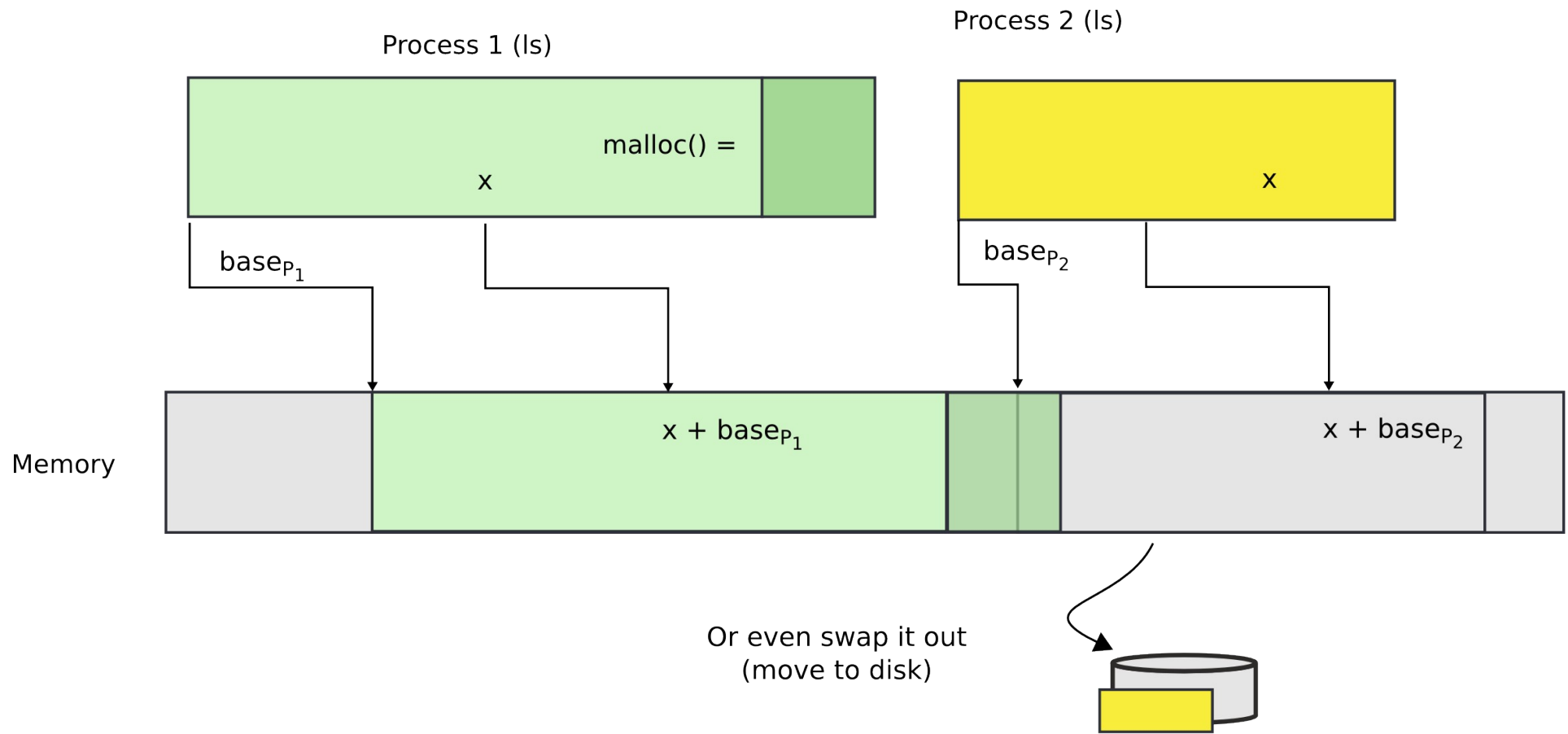
What if process needs more memory?



You can move P2 in memory



Or even swap it out to disk



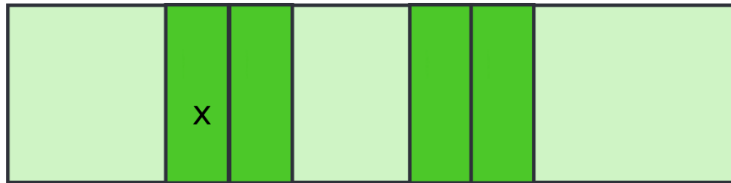
Problems with segments

- Segments are somewhat inconvenient
 - Relocating or swapping the entire process takes time
- Memory gets fragmented
 - There might be no space (gap) for the swapped out process to come in
 - Will have to swap out other processes

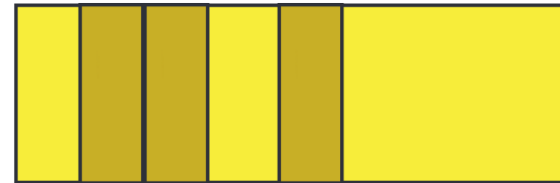
Paging

Pages

Process 1 (Is)



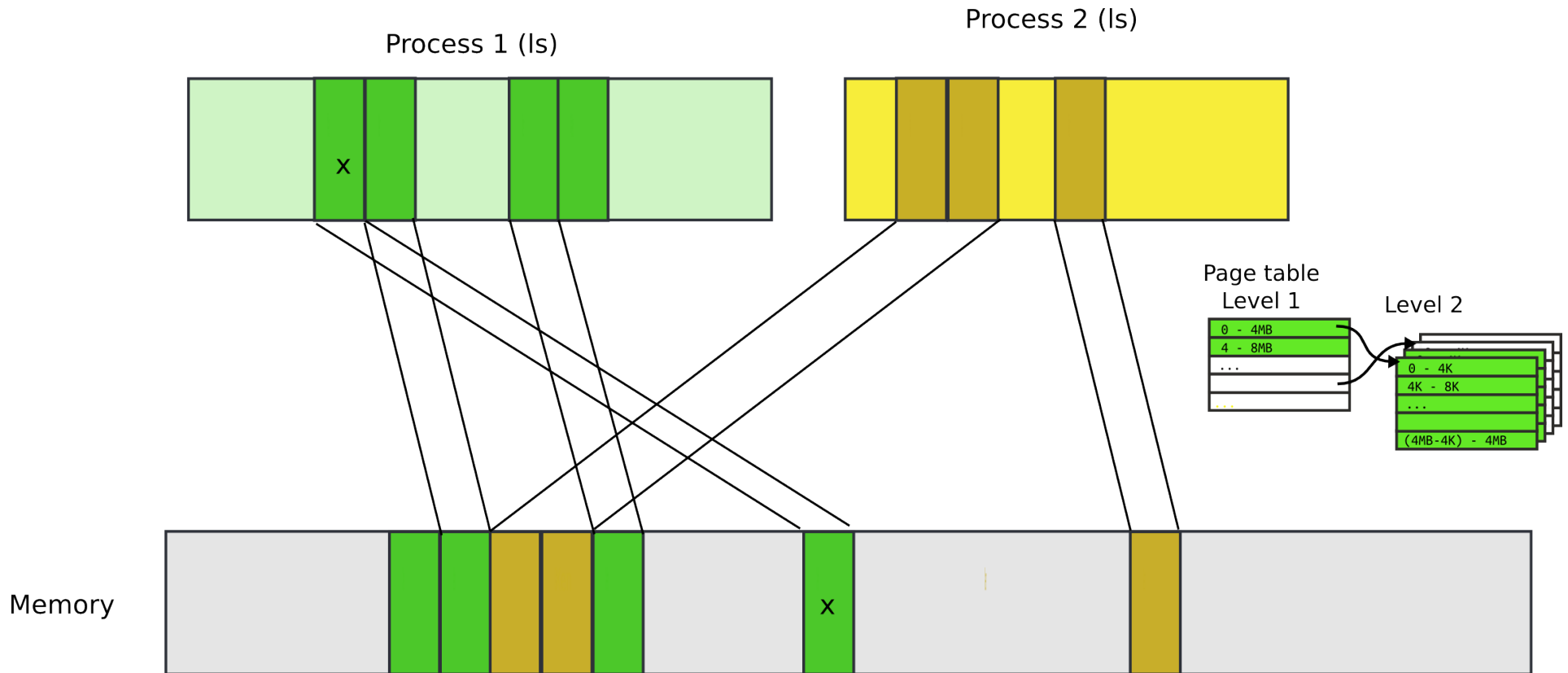
Process 2 (Is)



Memory



Pages

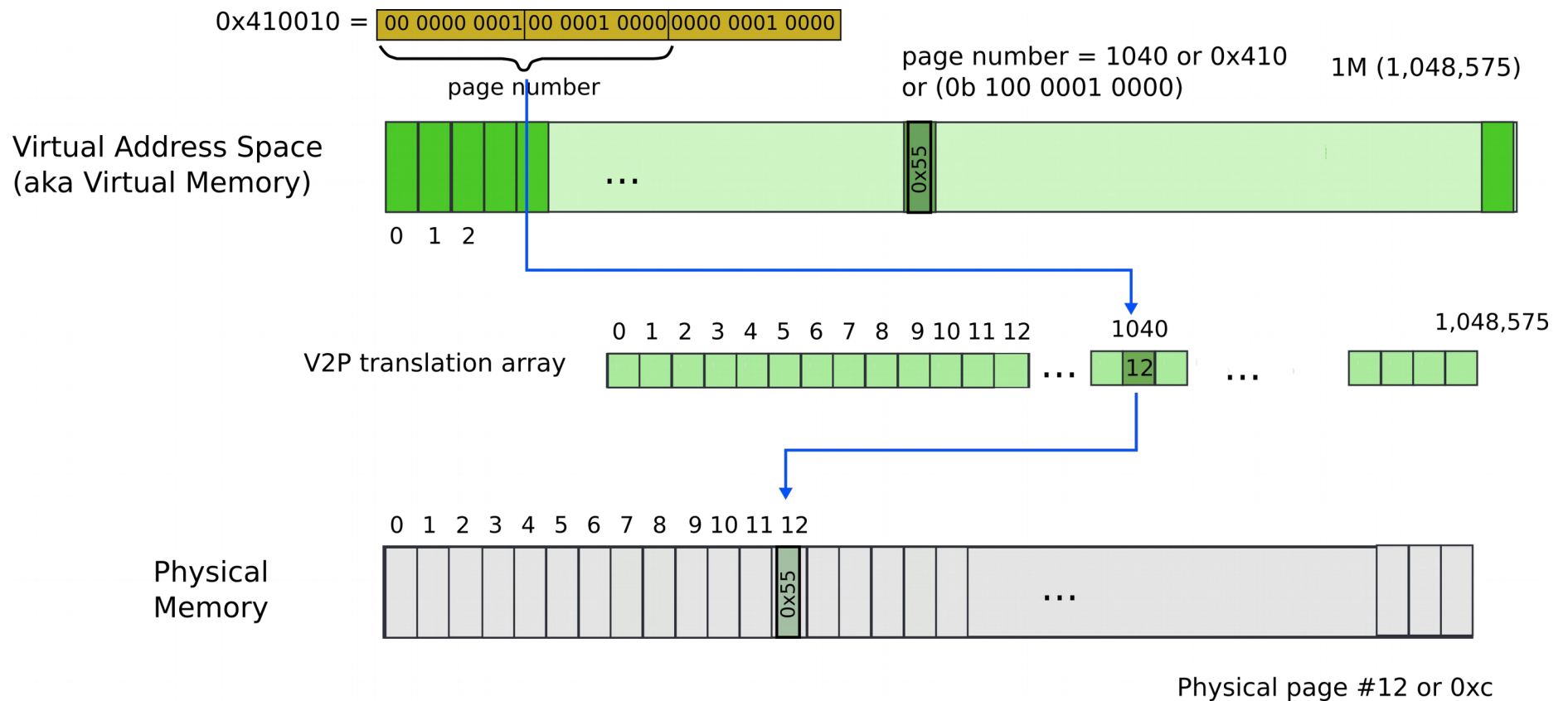


Paging idea

- Break up memory into 4096-byte chunks called pages
 - Modern hardware supports 2MB, 4MB, and 1GB pages
- Independently control mapping for each page of linear address space
- Compare with segmentation (single base + limit)
 - many more degrees of freedom

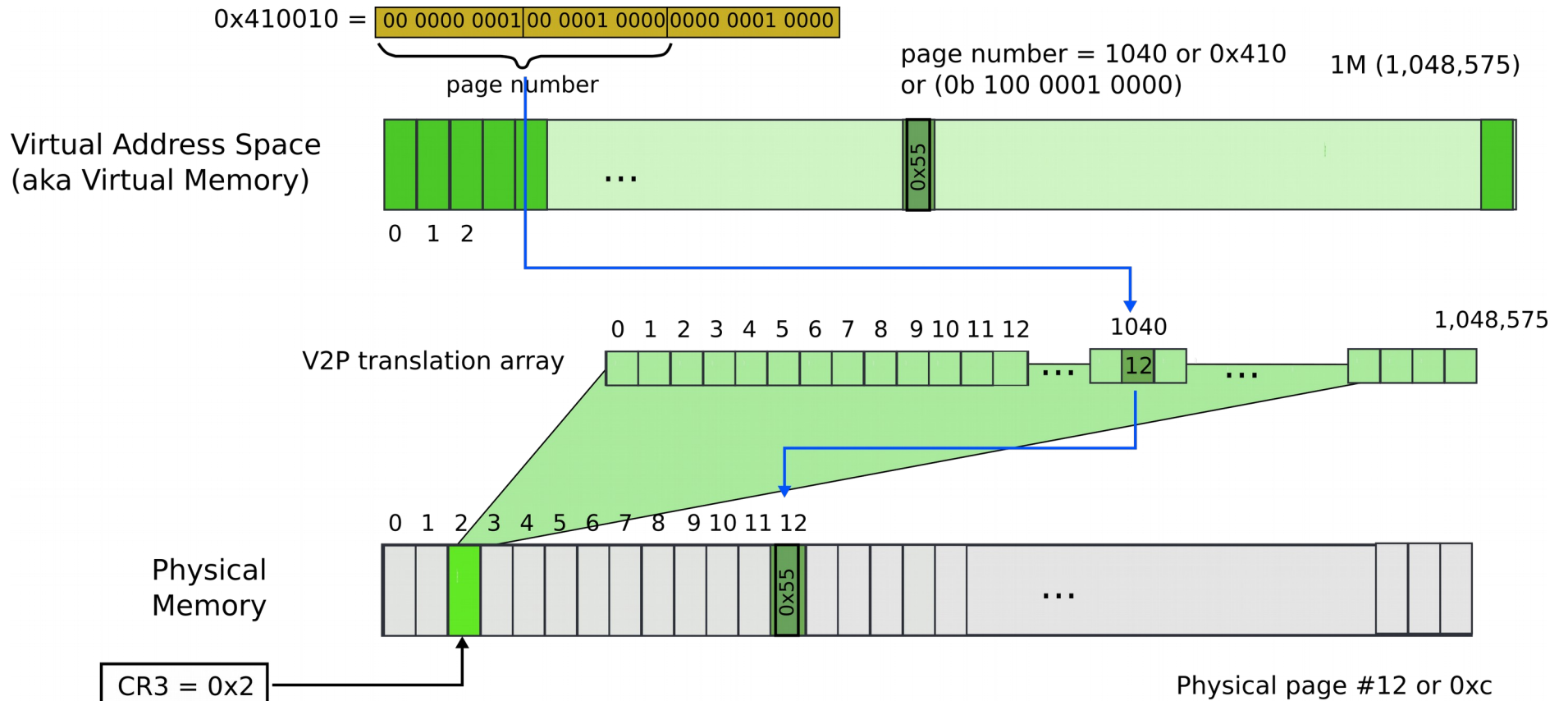
How can we build this translation mechanism?

Paging: naive approach: translation array



- Linear address 0x410010
 - Remember it's result of logical to linear translation (aka segmentation)
 - $0x410010 = 0x300010$ (offset) + $0x110000$ (base)

Paging: naive approach: translation array



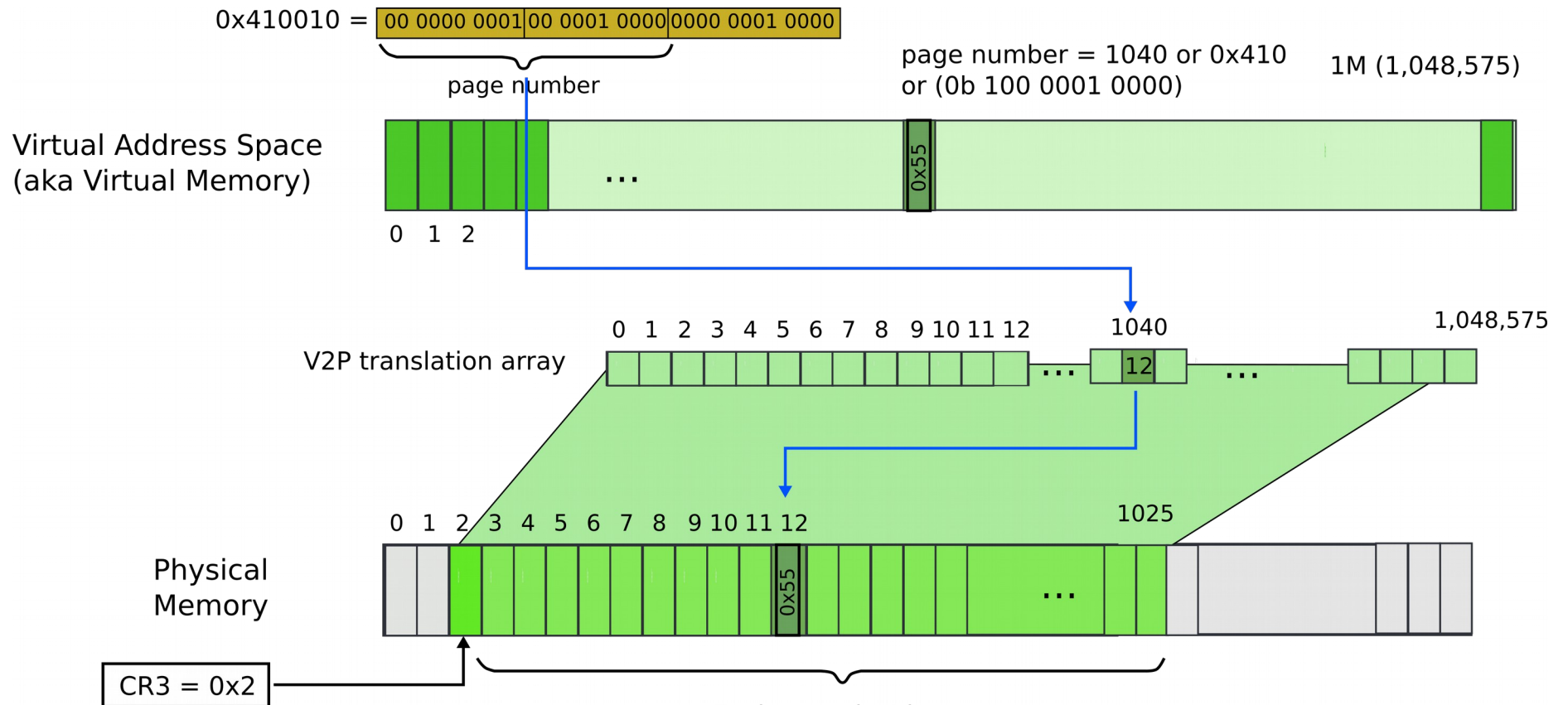
- Linear address 0x410010
 - Remember it's result of logical to linear translation (aka segmentation)
 - 0x410010 = 0x300010 (offset) + 0x110000 (base)

What is wrong?

What is wrong?

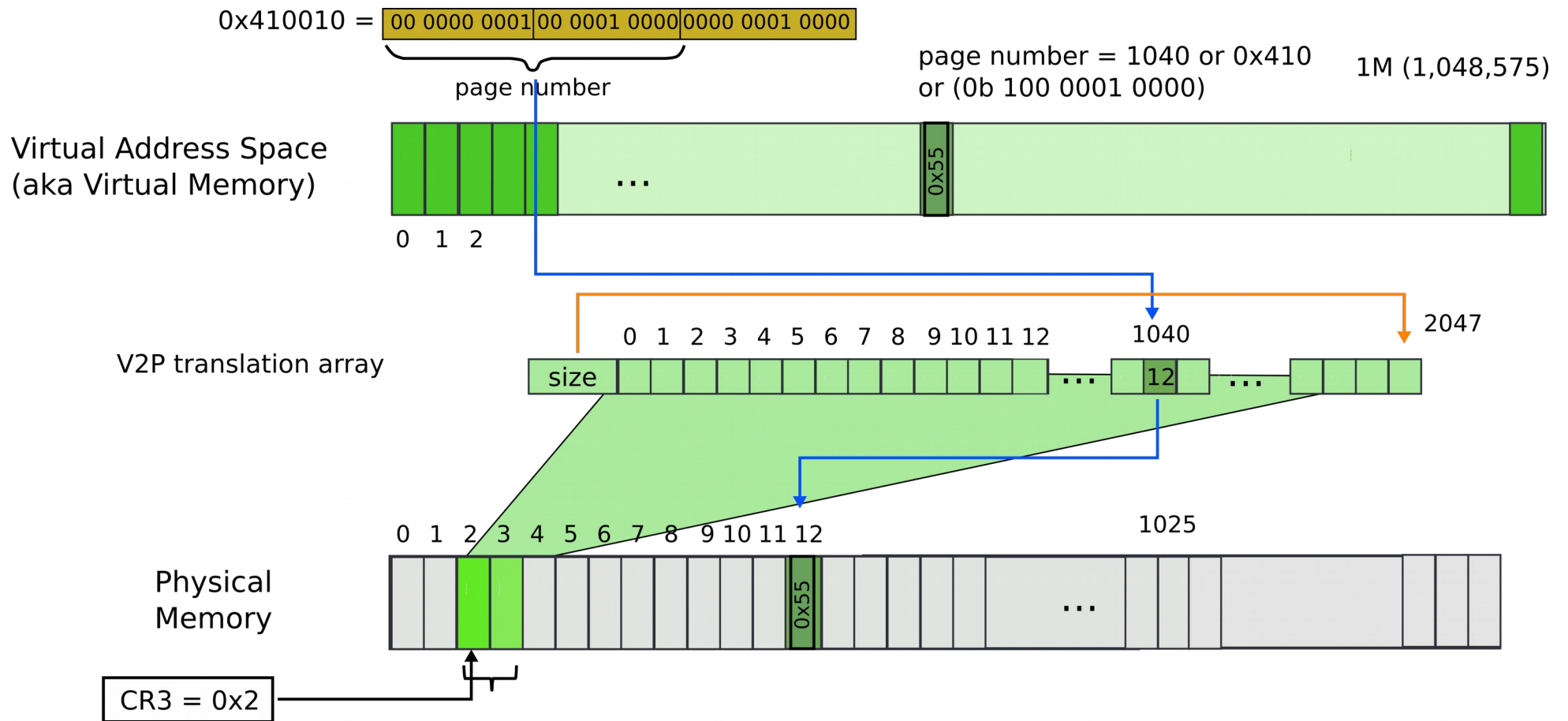
- We need 4 bytes to relocate each page
 - 20 bits for physical page number
 - 12 bits of access flags
- Therefore, we need array of 4 bytes x 1M entries
 - 4MBs

Paging: naive approach: translation array



- Each entry is 4 bytes
- 20 bits to represent page number + access control bits
- 1 page can contain 1024 entries
- We need 1024 pages to represent all possible 1M translations

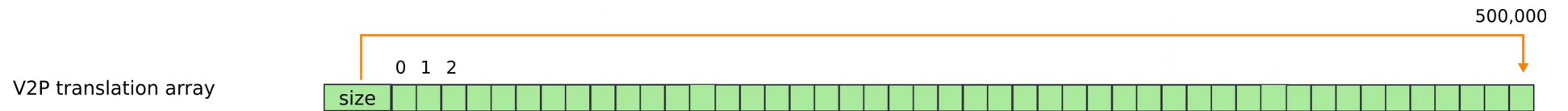
Paging: array with size



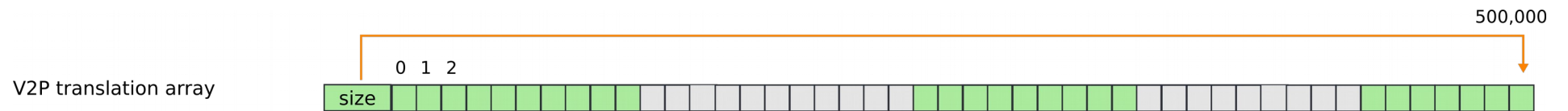
- The size controls how many entries are required

But still what may go wrong?

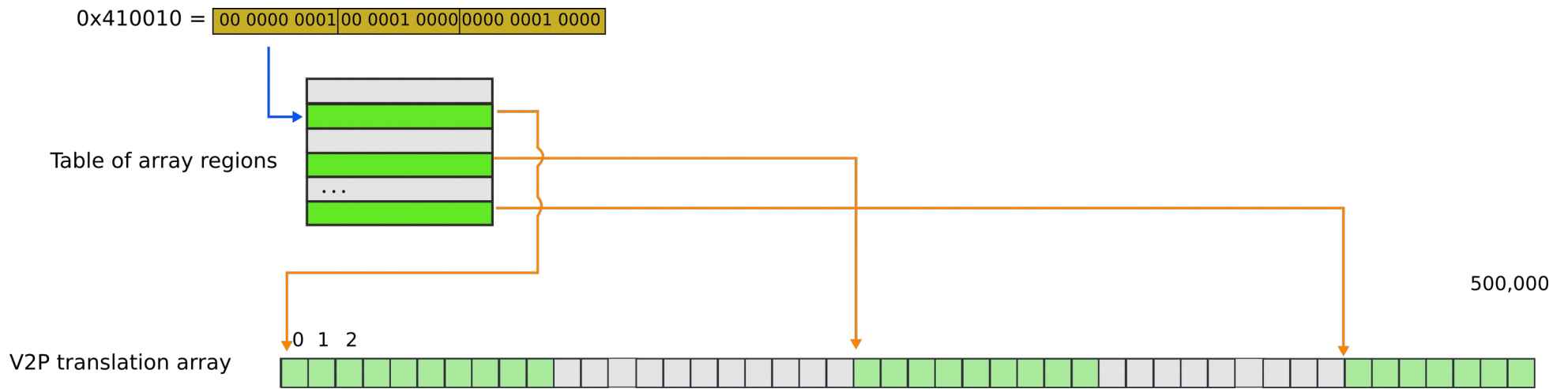
Paging: array with size



Paging: array with size



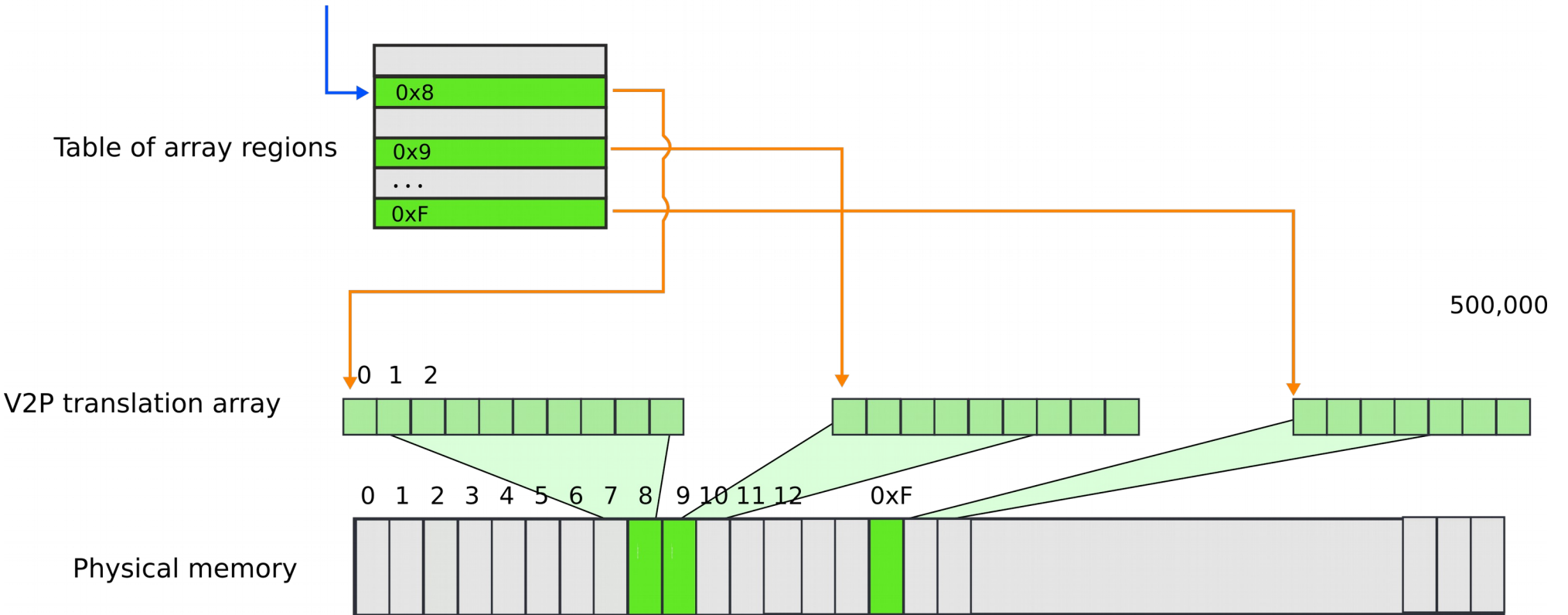
Paging: array with chunks



Paging: array with chunks

0x410010 =

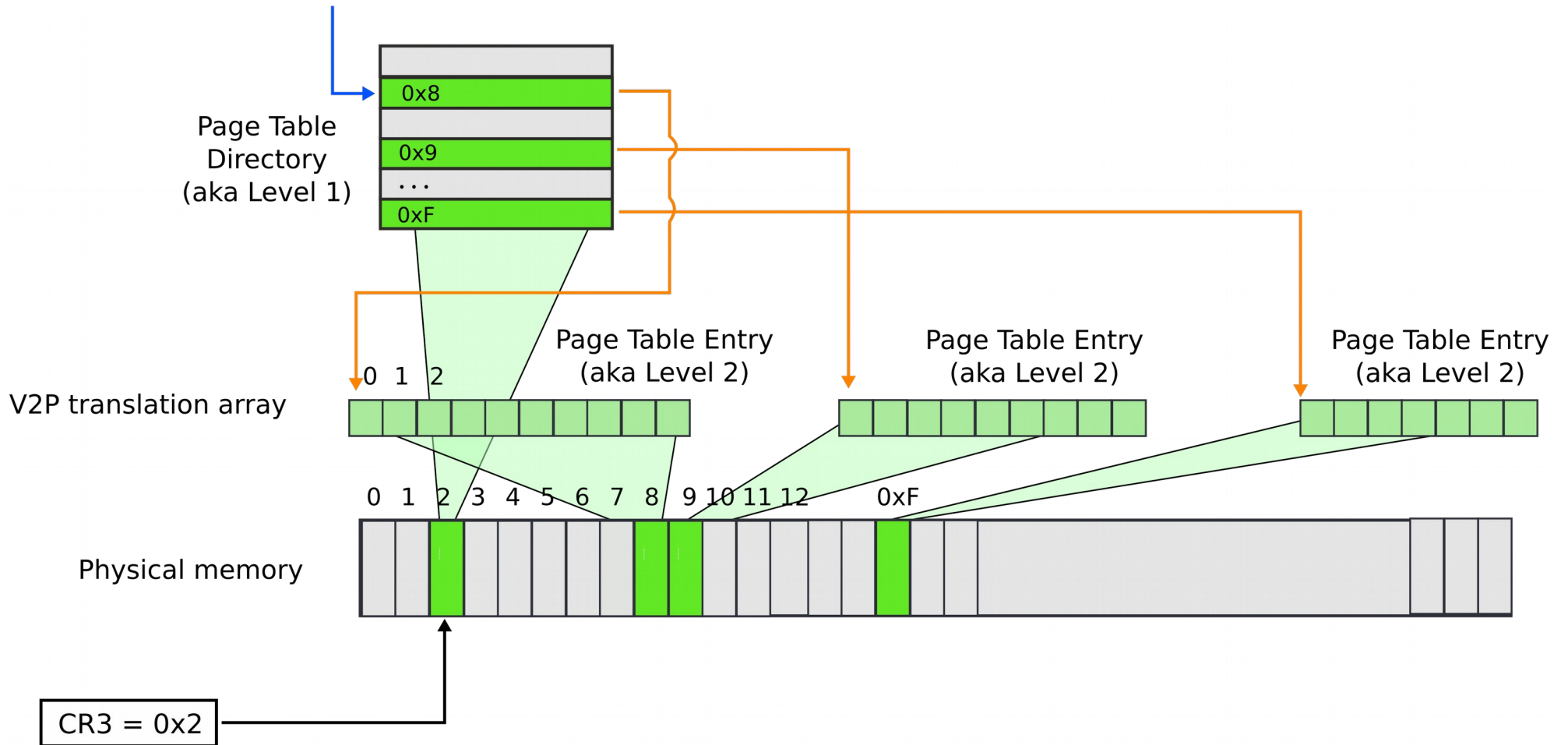
00 0000 0001	00 0001 0000	0000 0001 0000
--------------	--------------	----------------



Paging: page table

0x410010 =

00 0000 0001	00 0001 0000	0000 0001 0000
--------------	--------------	----------------



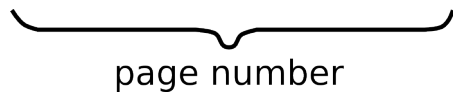
mov (%EBX), EAX # mov value from the location pointed by EBX into EAX

EAX = 0

EBX = 20 983 809

20 983 809 =

00 0000 0101	00 0000 0011	0000 0000 0001
--------------	--------------	----------------


page number

1M (1,048,575)

Virtual Address
Space (or Memory)
of the Process



0 1 2

page number = 5123
or (0b1 0100 0000 0011)

0 1 2 3 4 5 6 7 8 9 10 11 12

Physical
Memory



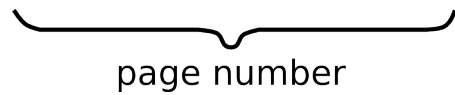
mov (%EBX), EAX # mov value from the location pointed by EBX into EAX

EAX = 0

EBX = 20 983 809

20 983 809 =

00 0000 0101	00 0000 0011	0000 0000 0001
--------------	--------------	----------------


page number

1M (1,048,575)

Virtual Address
Space (or Memory)
of the Process



CR3 = 0

0 1 2
0 1 2 3 4 5 6 7 8 9 10 11 12

page number = 5123
or (0b1 0100 0000 0011)

Physical
Memory



mov (%EBX), EAX # mov value from the location pointed by EBX into EAX

EAX = 0

EBX = 20 983 809

20 983 809 = 00 0000 0101 00 0000 0011 0000 0000 0001

page number

1M (1,048,575)

Virtual Address
Space (or Memory)
of the Process



0 1 2

page number = 5123
or (0b1 0100 0000 0011)

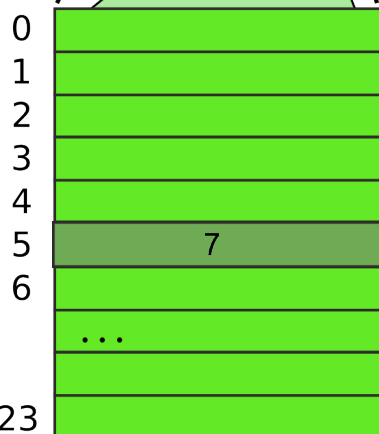
CR3 = 0

0 1 2 3 4 5 6 7 8 9 10 11 12

Physical
Memory



32 bits (4 bytes)



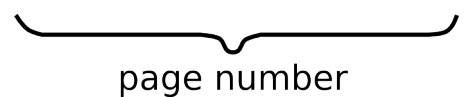
Level 1
(Page Table
Directory)

mov (%EBX), EAX # mov value from the location pointed by EBX into EAX

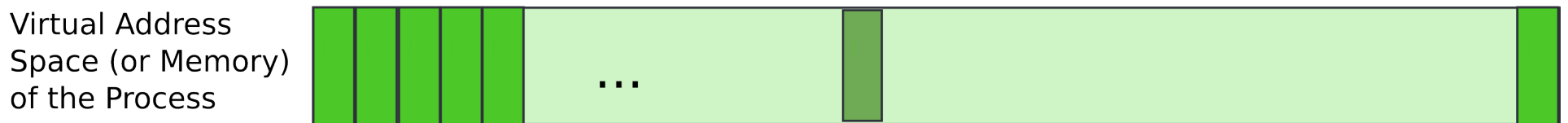
EAX = 0

EBX = 20 983 809

20 983 809 = 00 0000 0101 00 0000 0011 0000 0000 0001



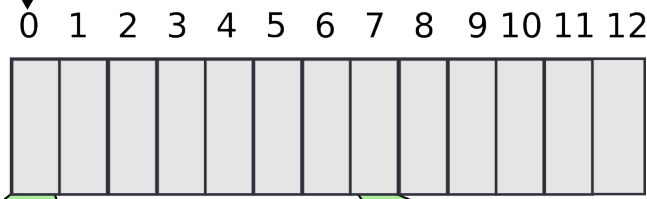
1M (1,048,575)



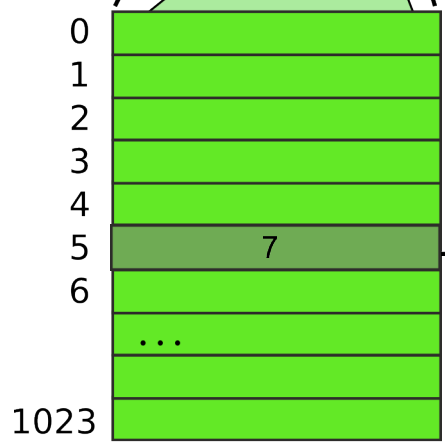
CR3 = 0

0 1 2

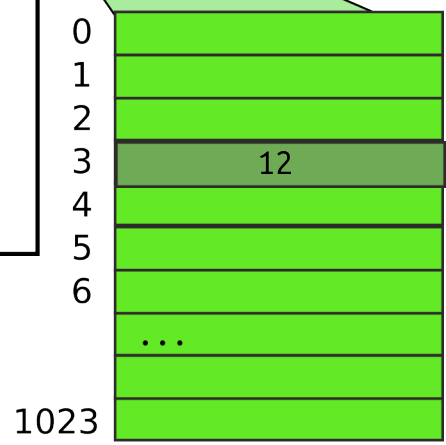
page number = 5123
or (0b1 0100 0000 0011)



32 bits (4 bytes)



Level 1
(Page Table
Directory)



Level 2
(Page Table)

mov (%EBX), EAX # mov value from the location pointed by EBX into EAX

EAX = 0

EBX = 20 983 809

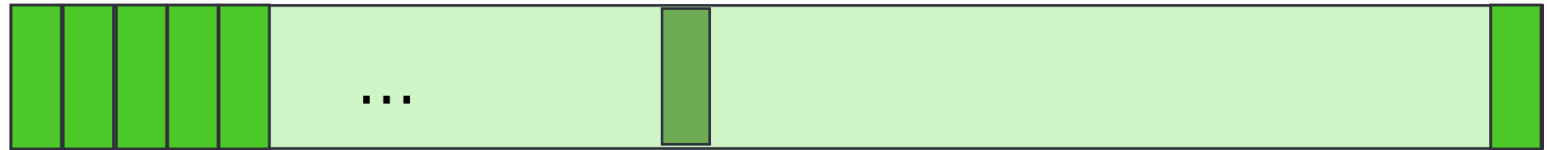
20 983 809 =

00 0000 0101	00 0000 0011	0000 0000 0001
--------------	--------------	----------------

page number

1M (1,048,575)

Virtual Address Space (or Memory) of the Process



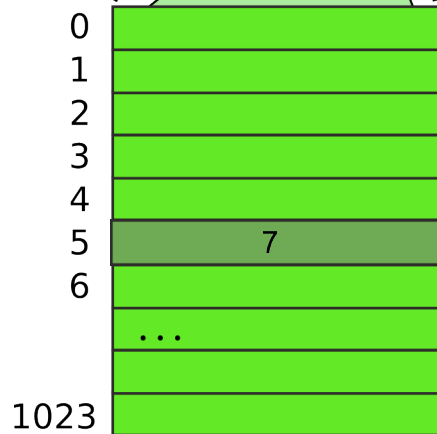
CR3 = 0

0 1 2
0 1 2 3 4 5 6 7 8 9 10 11 12

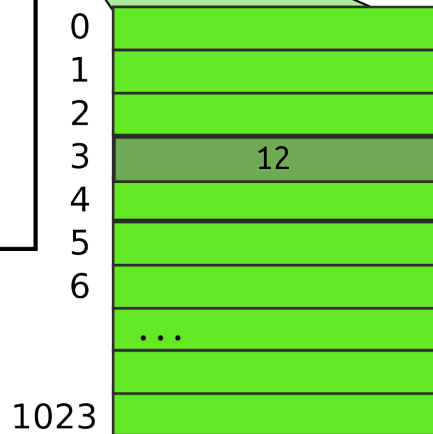
Physical Memory



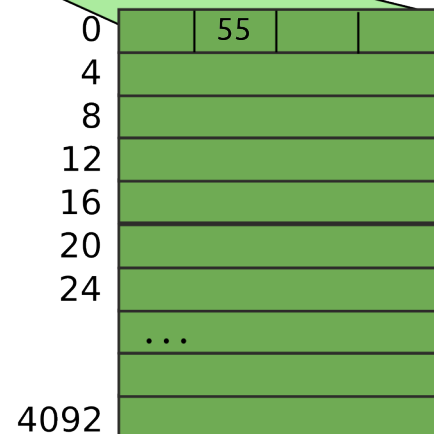
32 bits (4 bytes)



Level 1
(Page Table
Directory)



Level 2
(Page Table)



Page

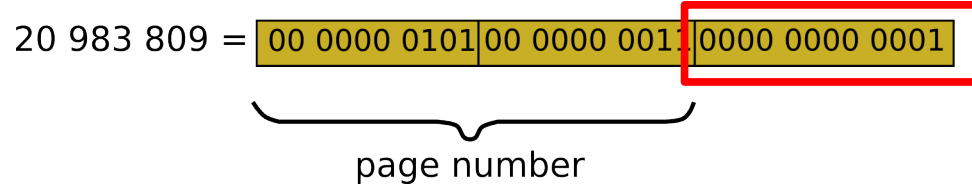
mov (%EBX), EAX # mov value from the location pointed by EBX into EAX

EAX = 0

EBX = 20 983 809

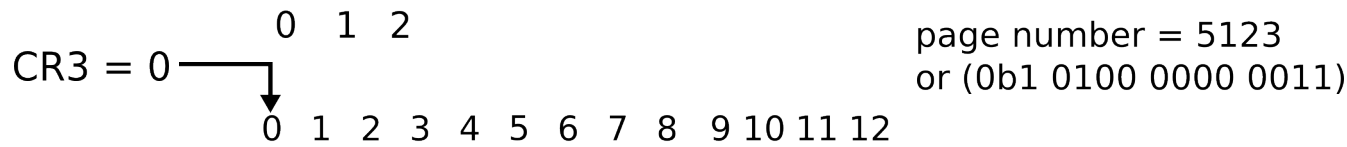
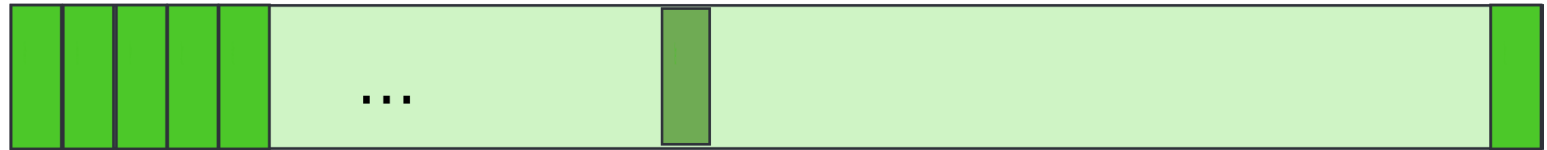
• Result:

• EAX = 55



1M (1,048,575)

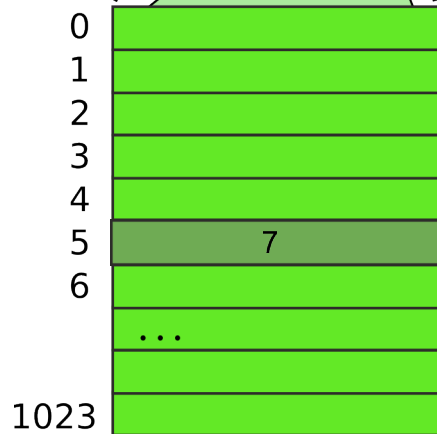
Virtual Address Space (or Memory) of the Process



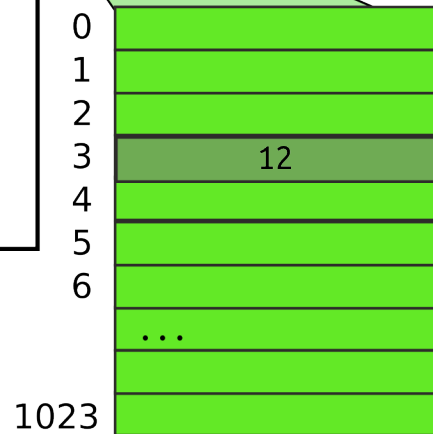
Physical Memory



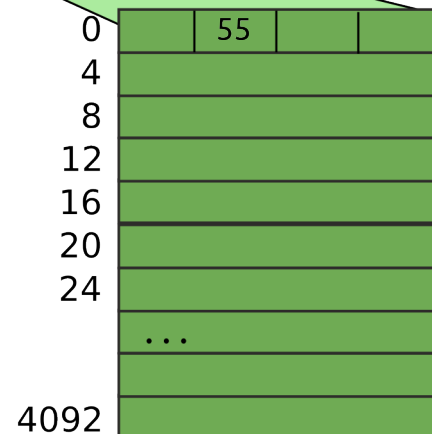
32 bits (4 bytes)



Level 1
(Page Table
Directory)

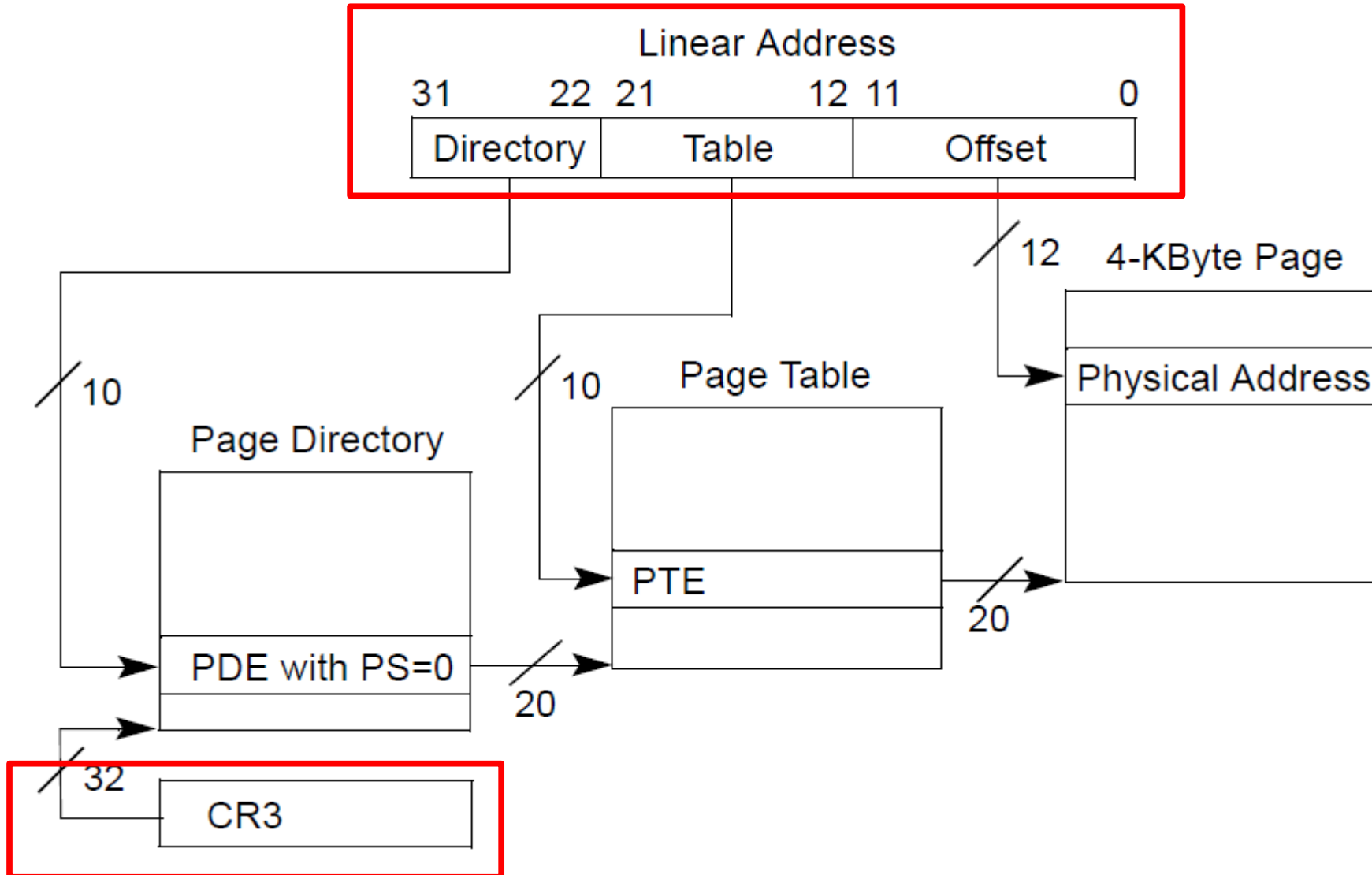


Level 2
(Page Table)

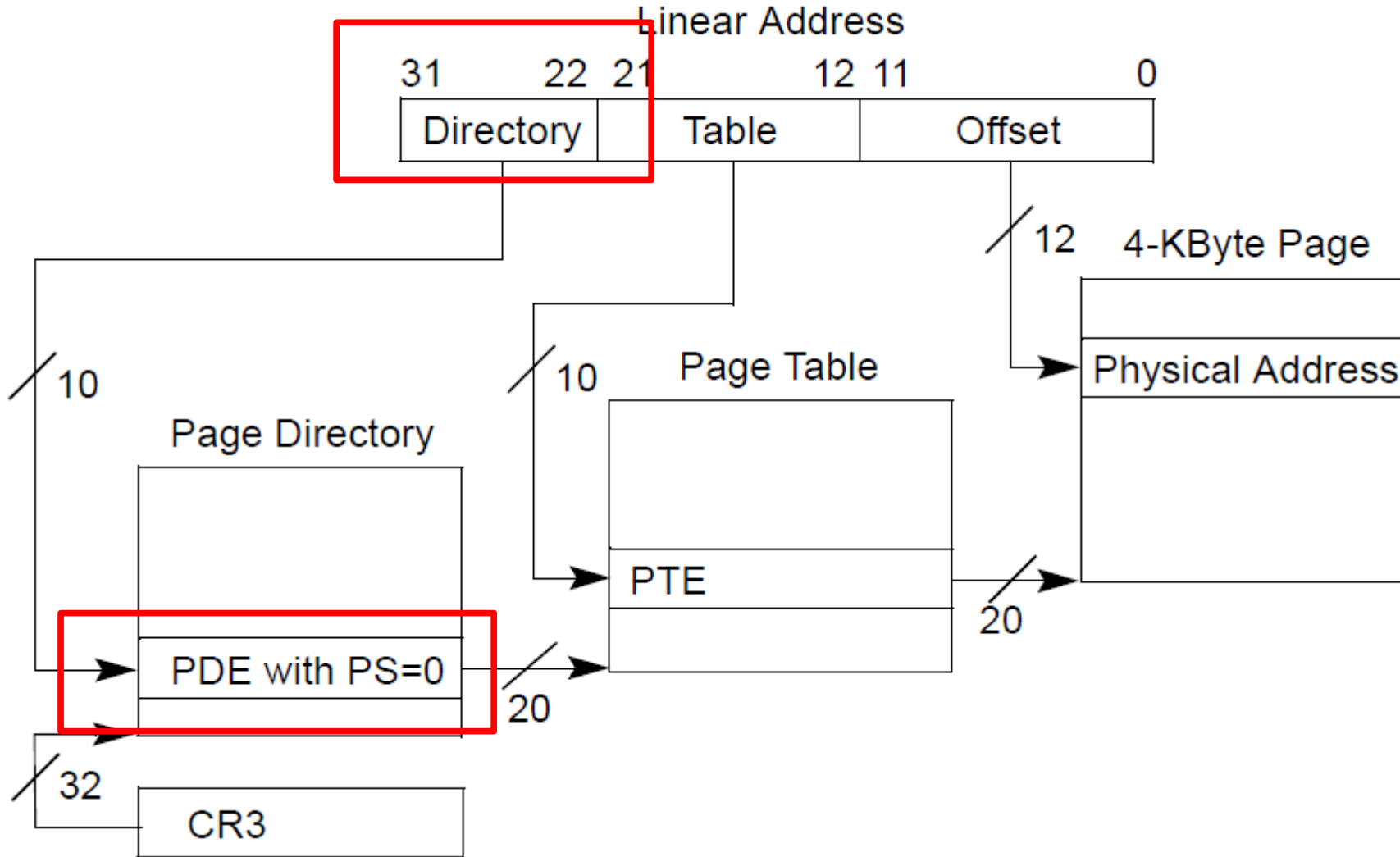


Page

Page translation



Page translation



Page directory entry (PDE)

31	30	29	28	27	26	25	24	23	22	21	20	19	18	17	16	15	14	13	12	11	10	9	8	7	6	5	4	3	2	1	0	
Address of page table												Ignored				<u>0</u>	I g n	A	P C D	P W T	U / S	R / W	<u>1</u>	PDE: page table								

- 20 bit address of the page table

Page directory entry (PDE)

31	30	29	28	27	26	25	24	23	22	21	20	19	18	17	16	15	14	13	12	11	10	9	8	7	6	5	4	3	2	1	0	
Address of page table												Ignored			<u>0</u>	I g n	A	P C D	PW T	U / S	R / W	<u>1</u>	PDE: page table									

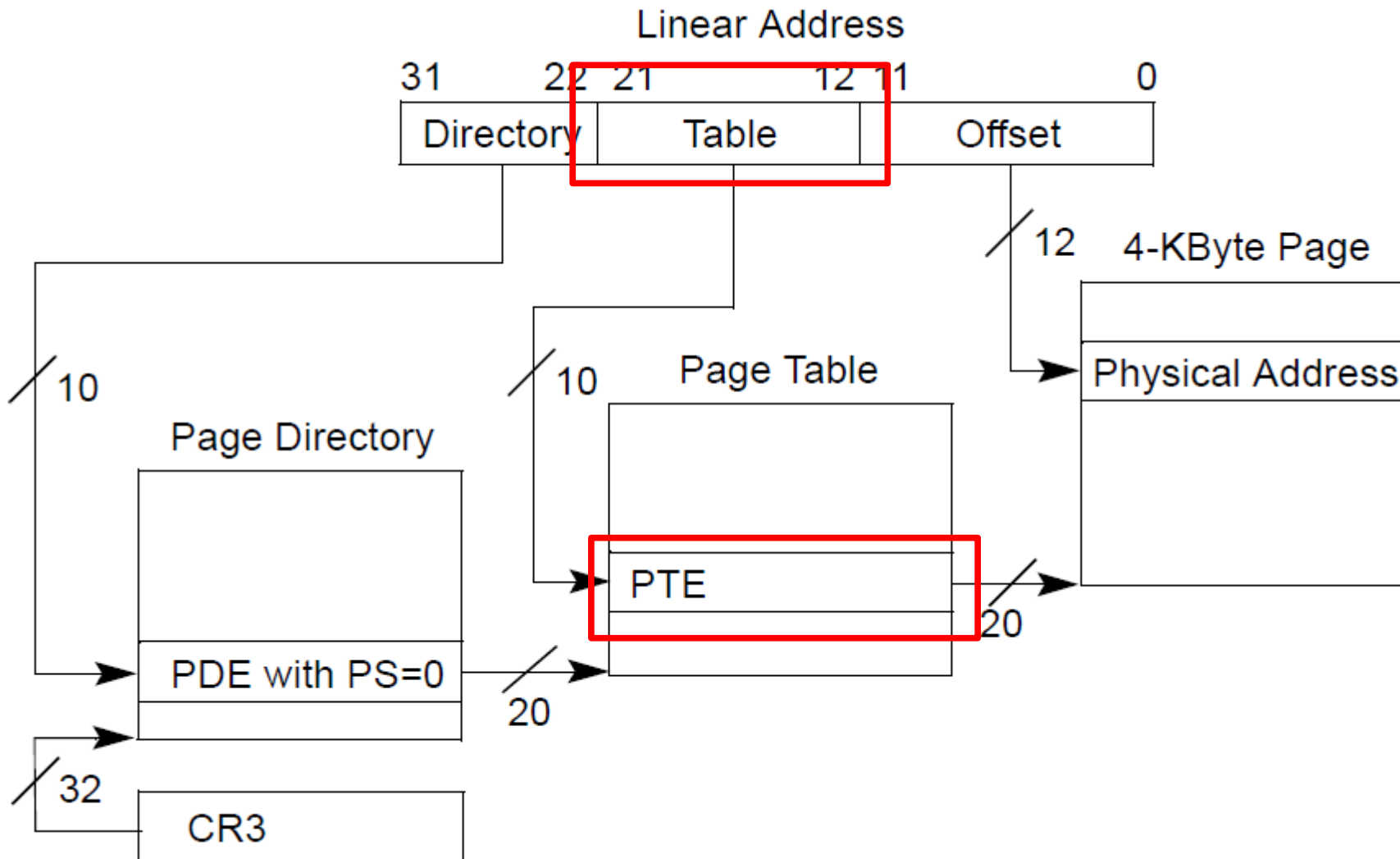
- 20 bit address of the page table
- Wait... 20 bit address, but we need 32 bits

Page directory entry (PDE)

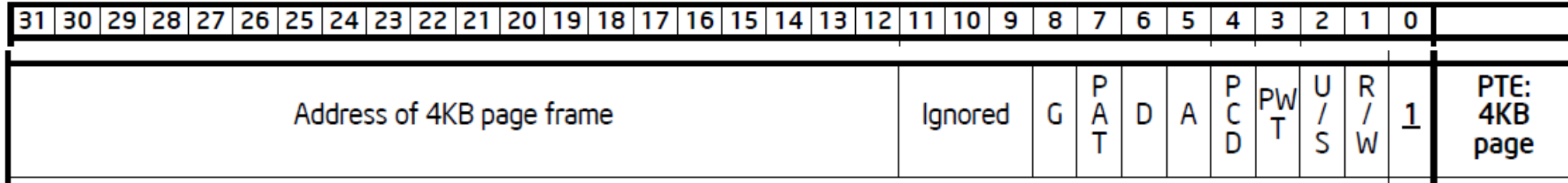
31	30	29	28	27	26	25	24	23	22	21	20	19	18	17	16	15	14	13	12	11	10	9	8	7	6	5	4	3	2	1	0	
Address of page table												Ignored			<u>0</u>	I g n	A	P C D	PW T	U / S	R / W	<u>1</u>	PDE: page table									

- 20 bit address of the page table
- Wait... 20 bit address, but we need 32 bits
 - Pages 4KB each, we need 1M to cover 4GB
 - Pages start at 4KB (page aligned boundary)

Page translation

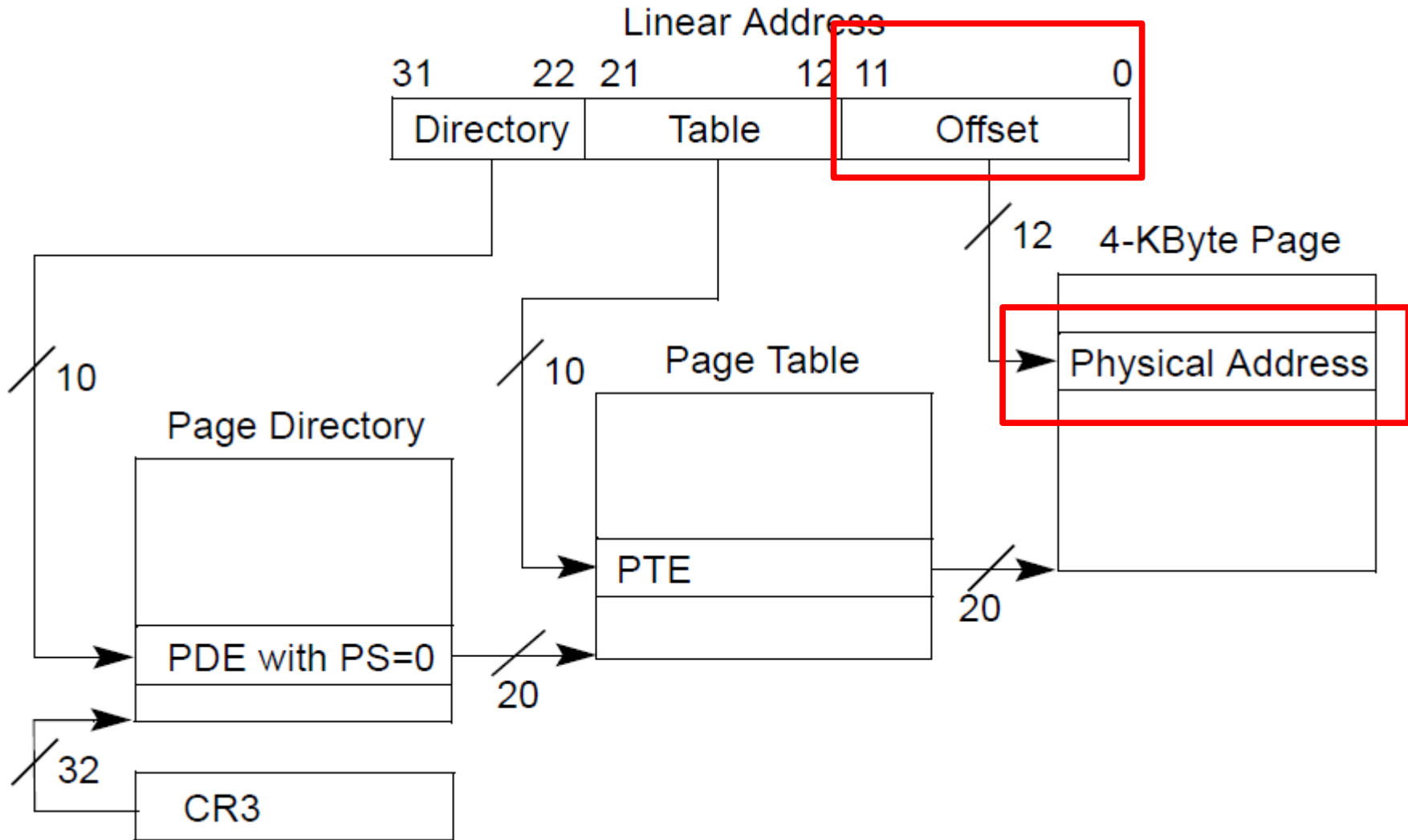


Page table entry (PTE)



- 20 bit address of the 4KB page
 - Pages 4KB each, we need 1M to cover 4GB

Page translation

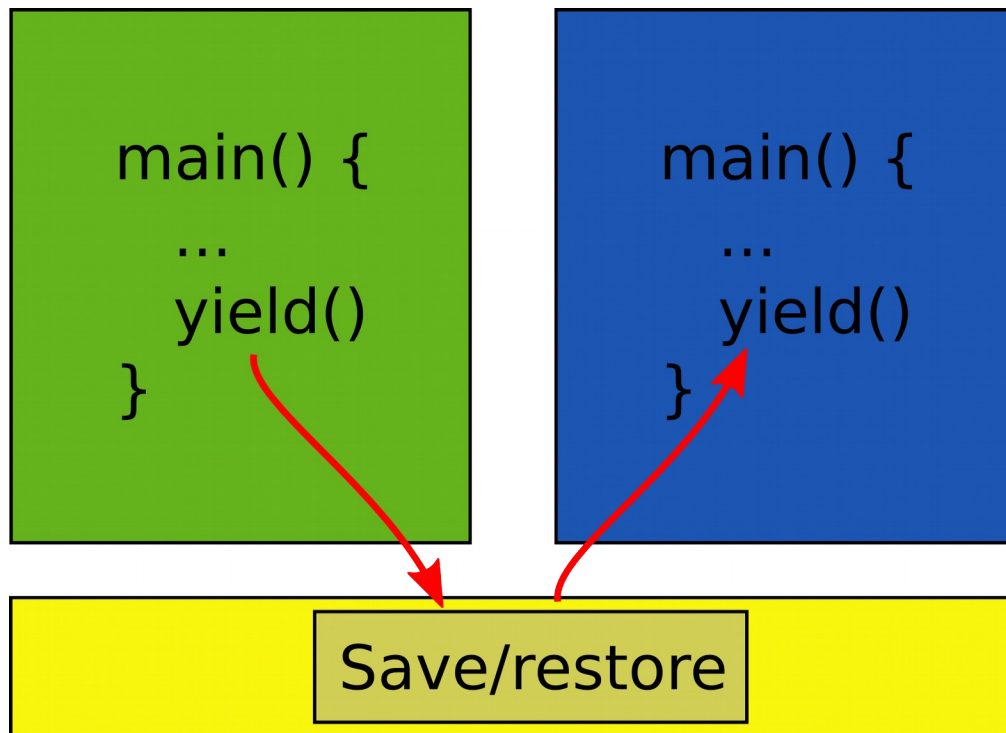


Benefit of page tables

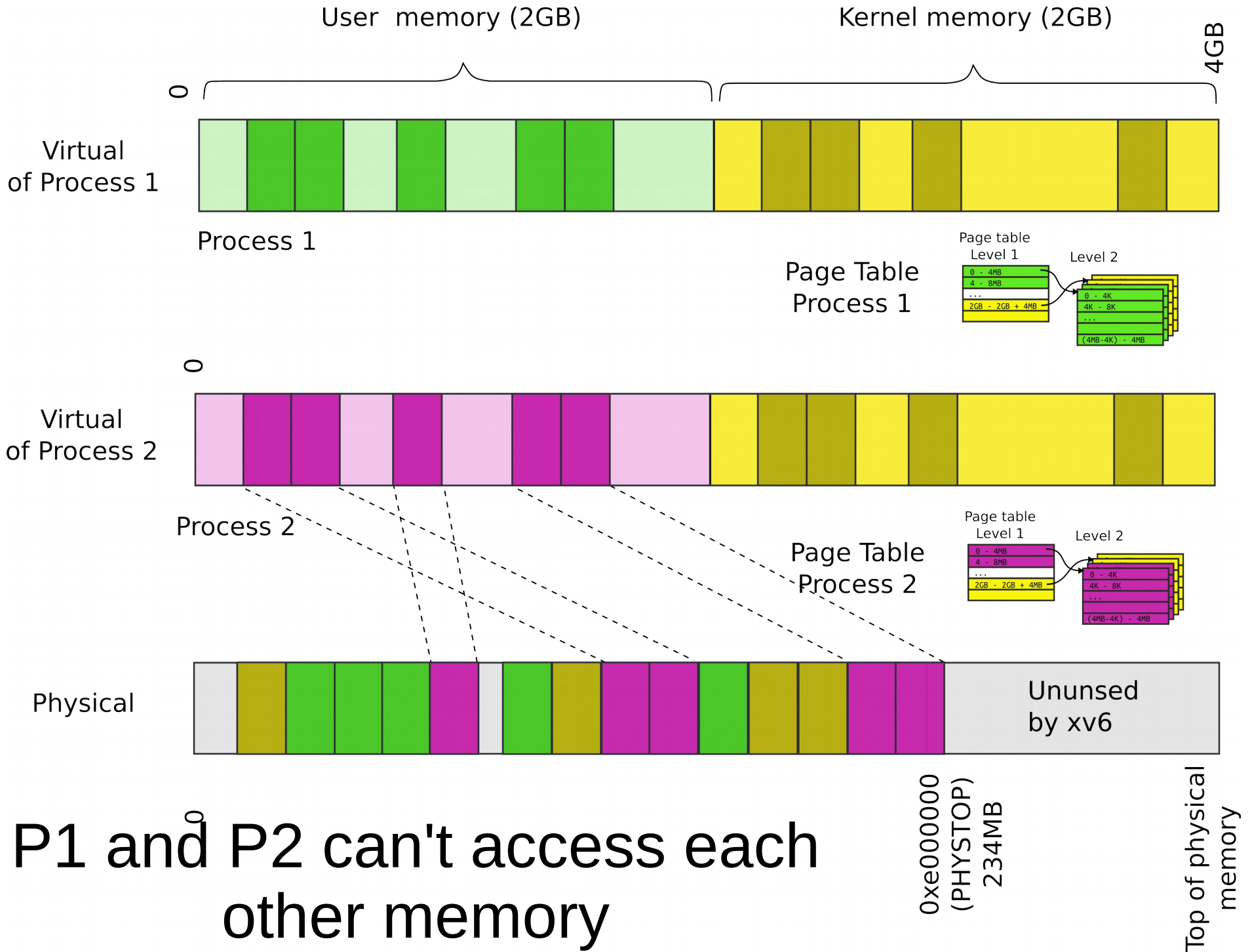
... Compared to arrays?

- Page tables represent sparse address space more efficiently
 - An entire array has to be allocated upfront
 - But if the address space uses a handful of pages
 - Only page tables (Level 1 and 2 need to be allocated to describe translation)
- On a dense address space this benefit goes away
 - I'll assign a homework!

What about isolation?



- Two programs, one memory?
- Each process has its own page table
 - OS switches between them

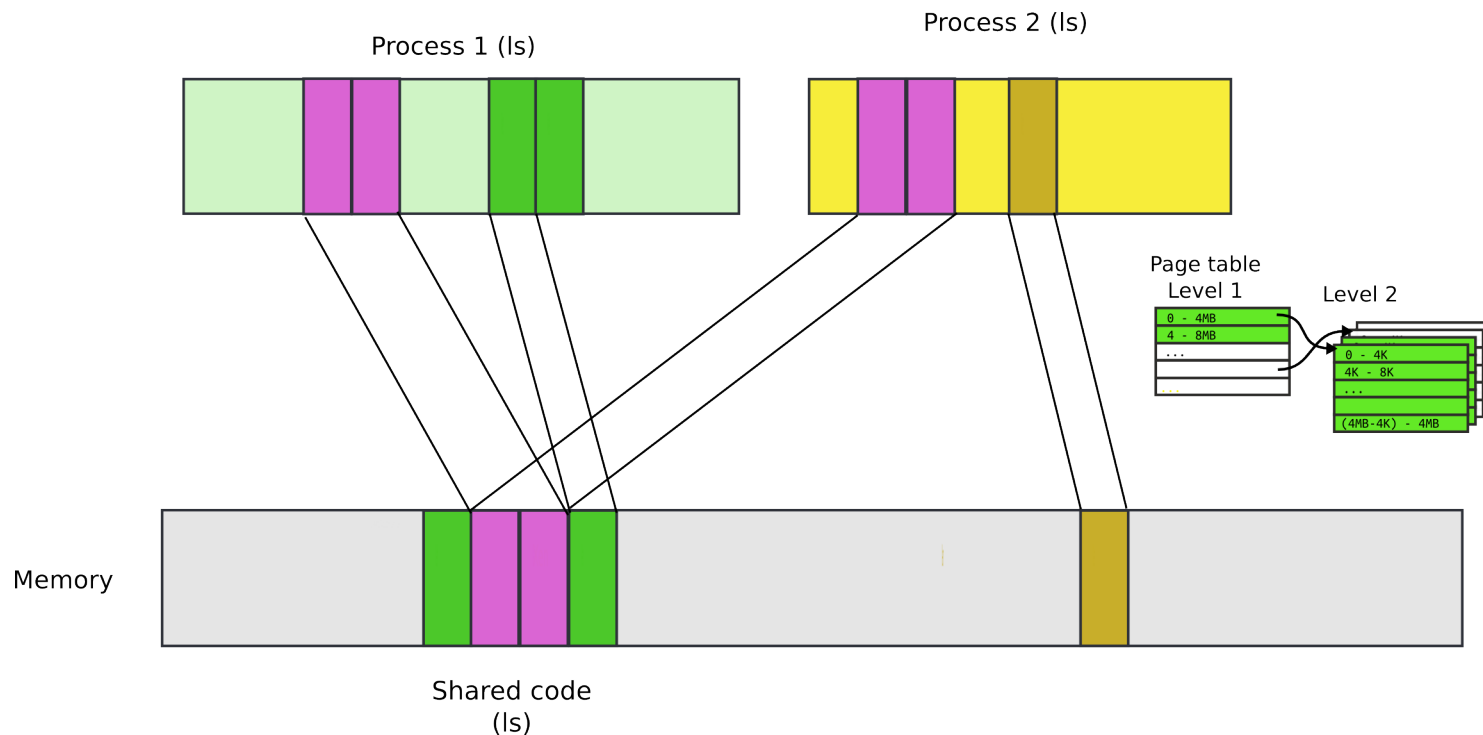


Compared to segments pages allow ...

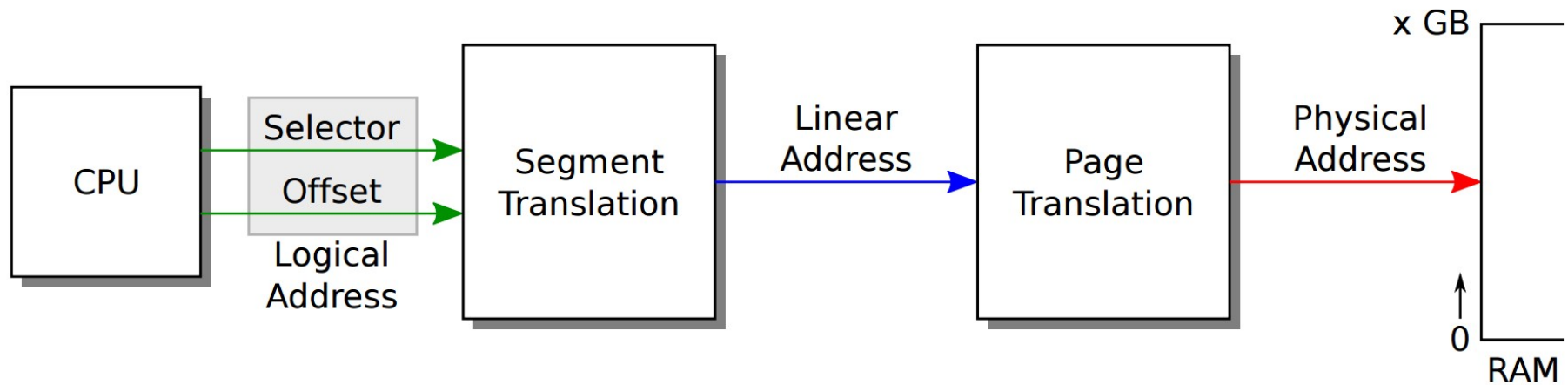
- Emulate large virtual address space on a smaller physical memory
 - In our example we had only 12 physical pages
 - But the program can access all 1M pages in its 4GB address space
 - The OS will move other pages to disk

Compared to segments pages allow ...

- Share a region of memory across multiple programs
 - Well... segments allow this too
 - Communication (shared buffer of messages)
 - Shared libraries



Recap: complete address translation

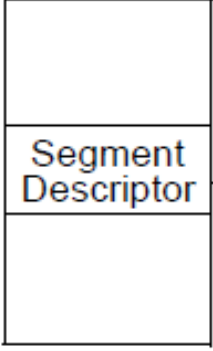


Logical Address
(or Far Pointer)

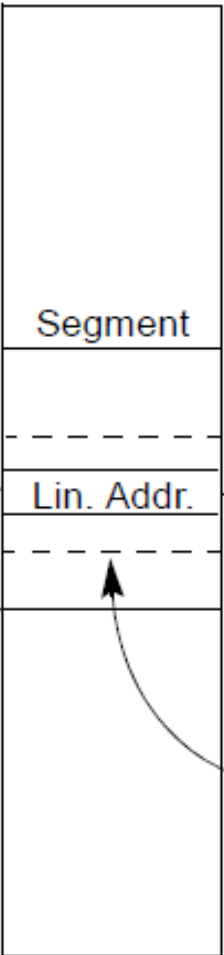
Segment Selector Offset

Linear Address Space

Global Descriptor Table (GDT)

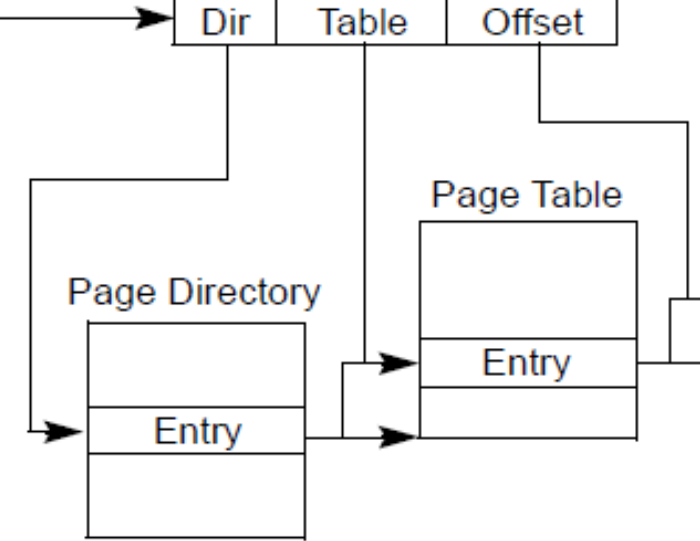


Segment Base Address

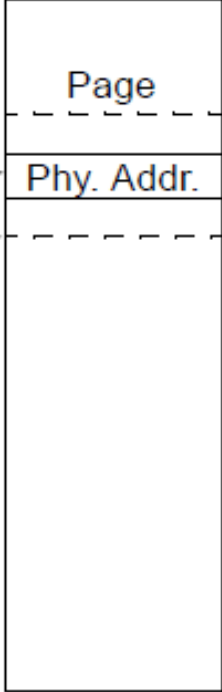


Linear Address

Dir Table Offset

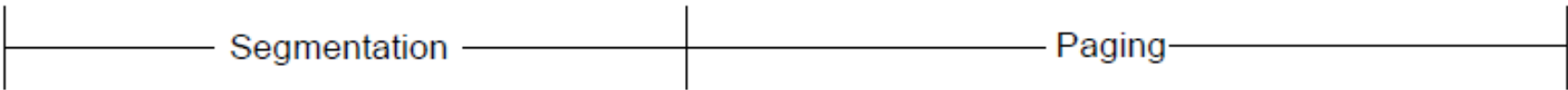


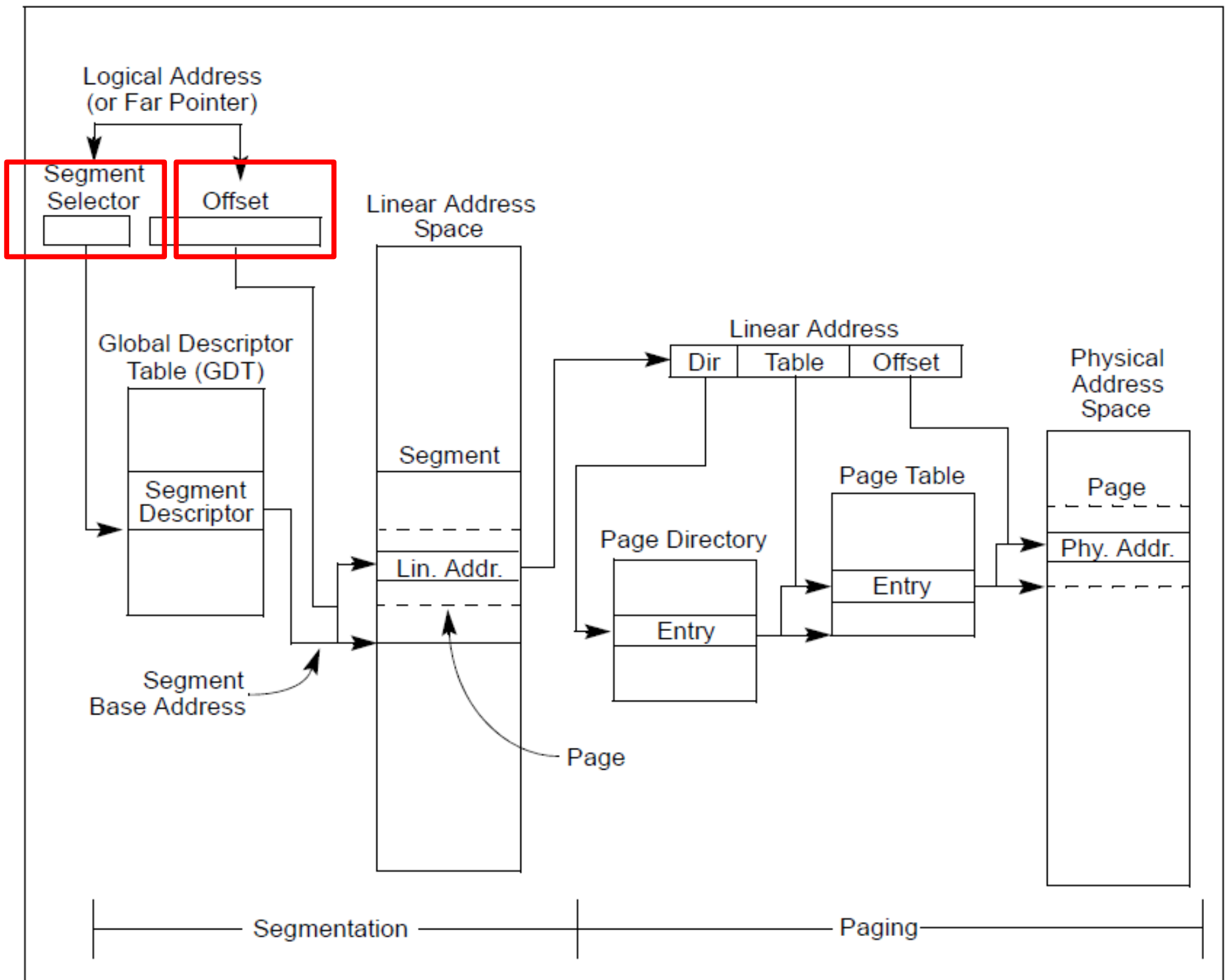
Physical Address Space

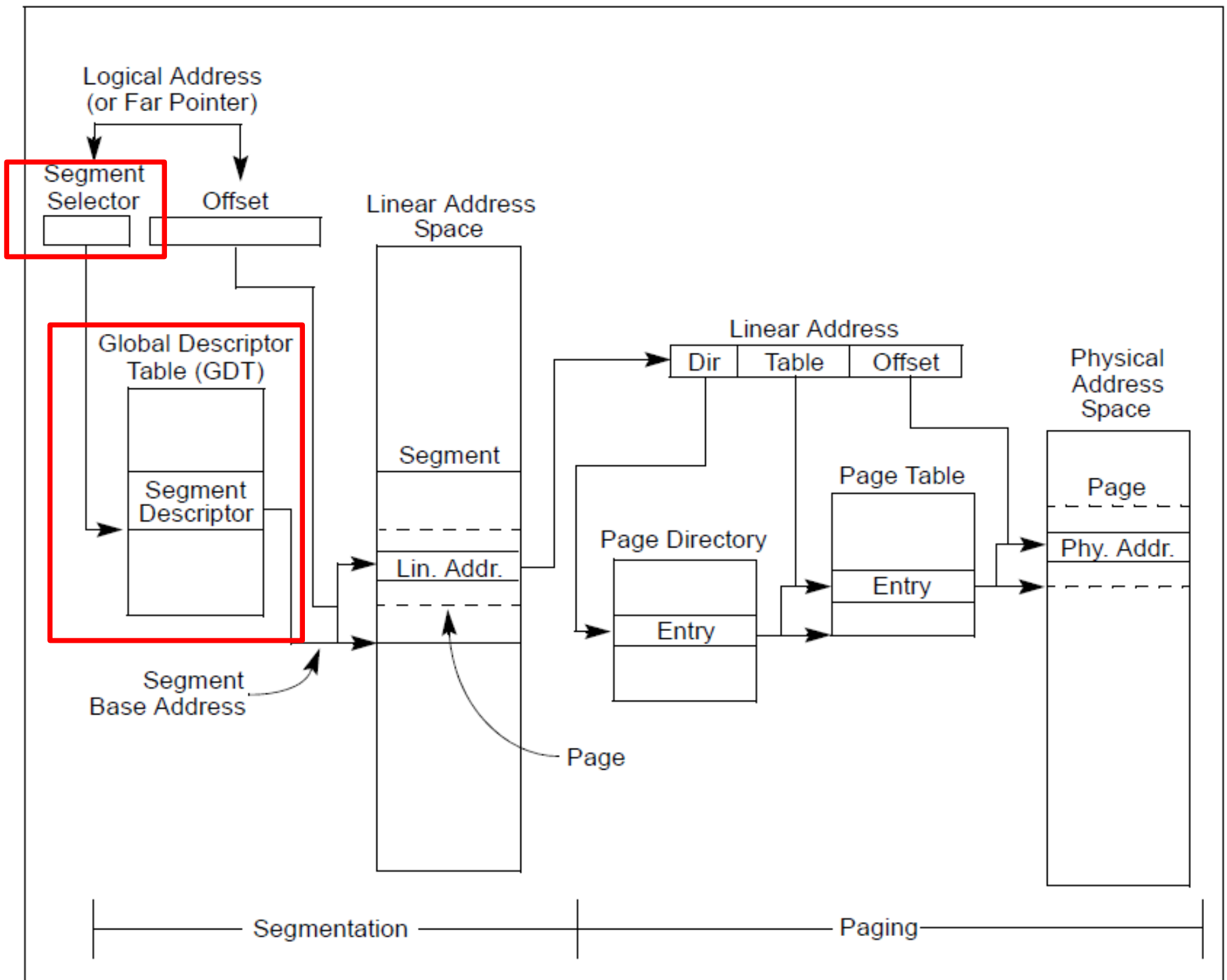


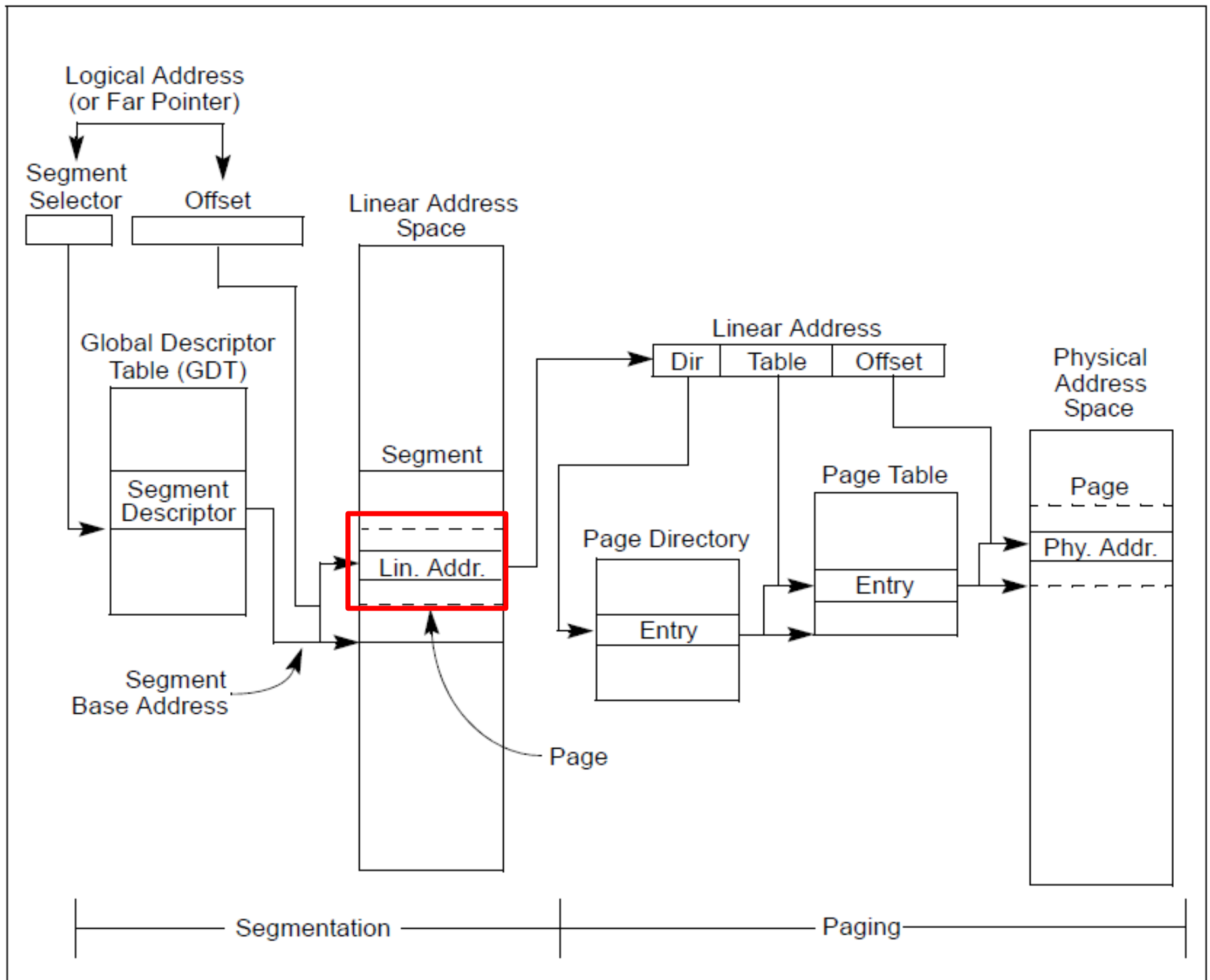
Segmentation

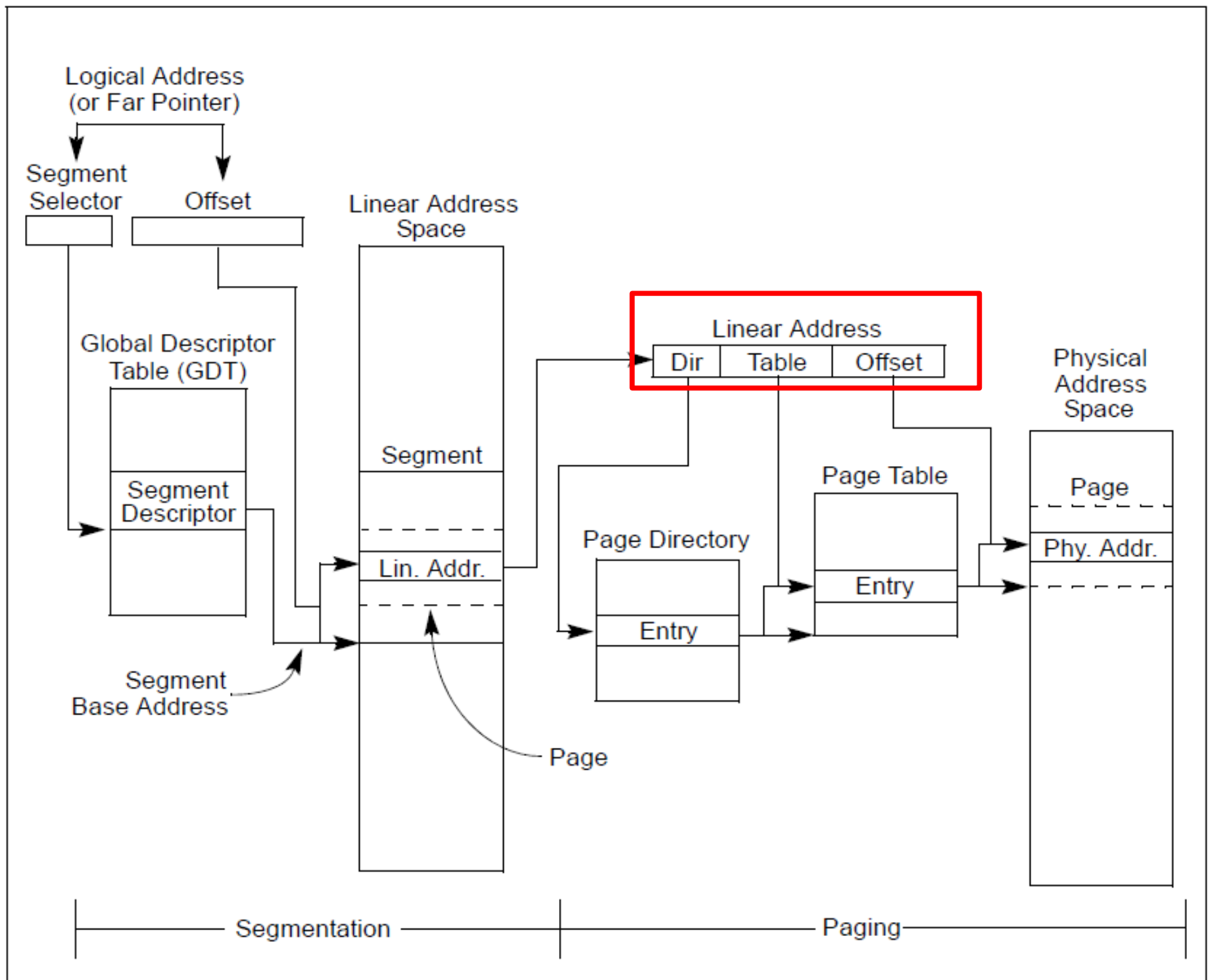
Paging

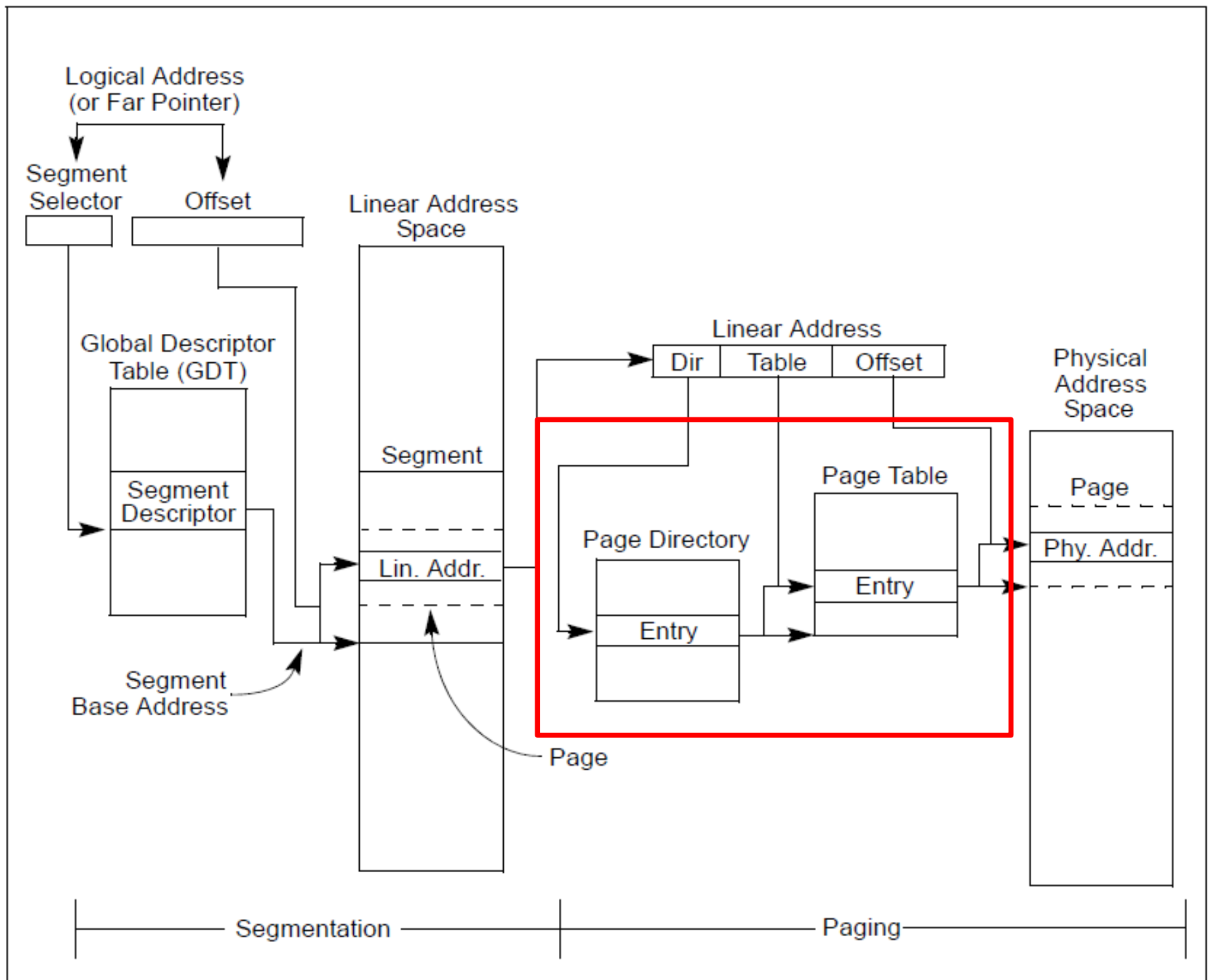


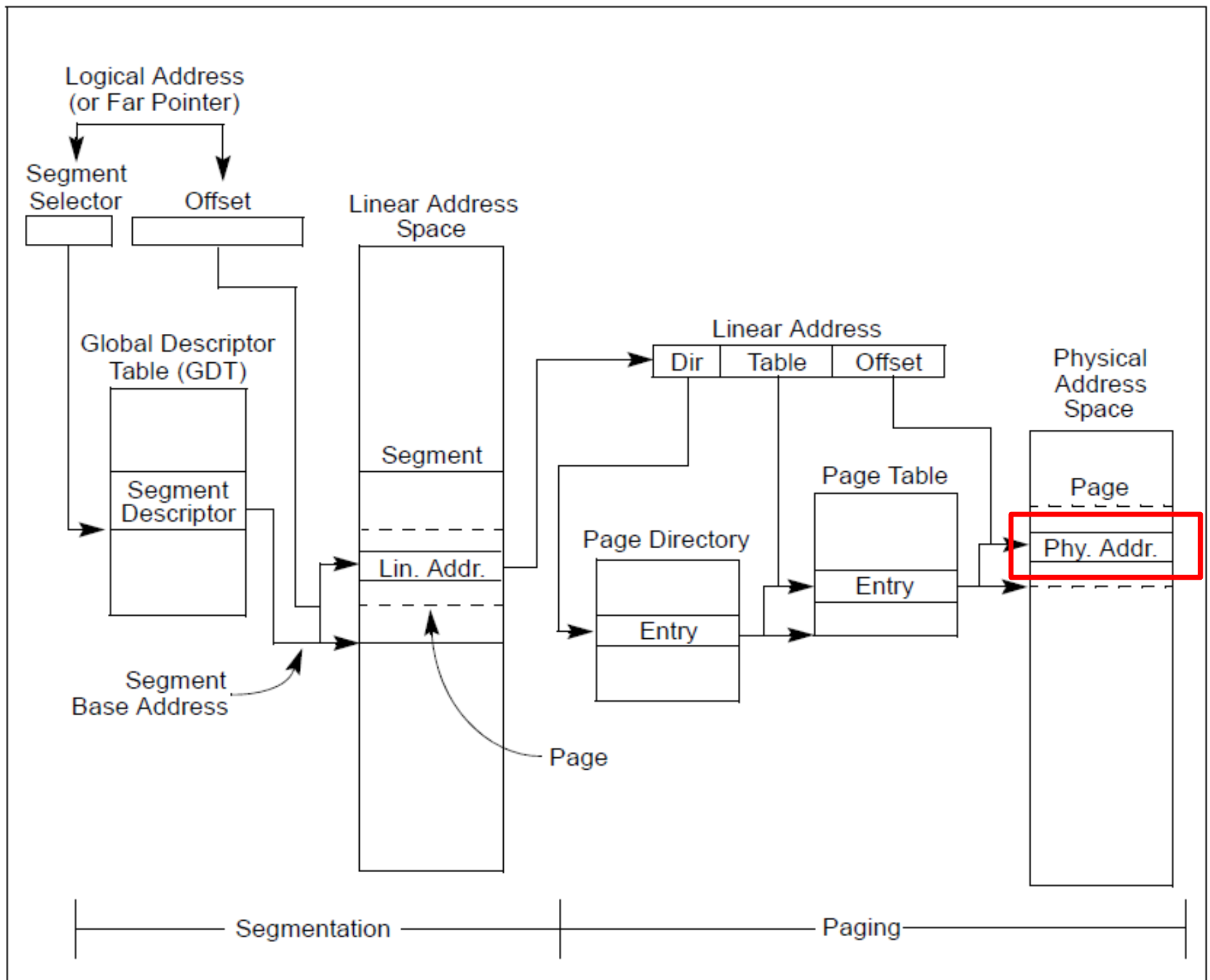


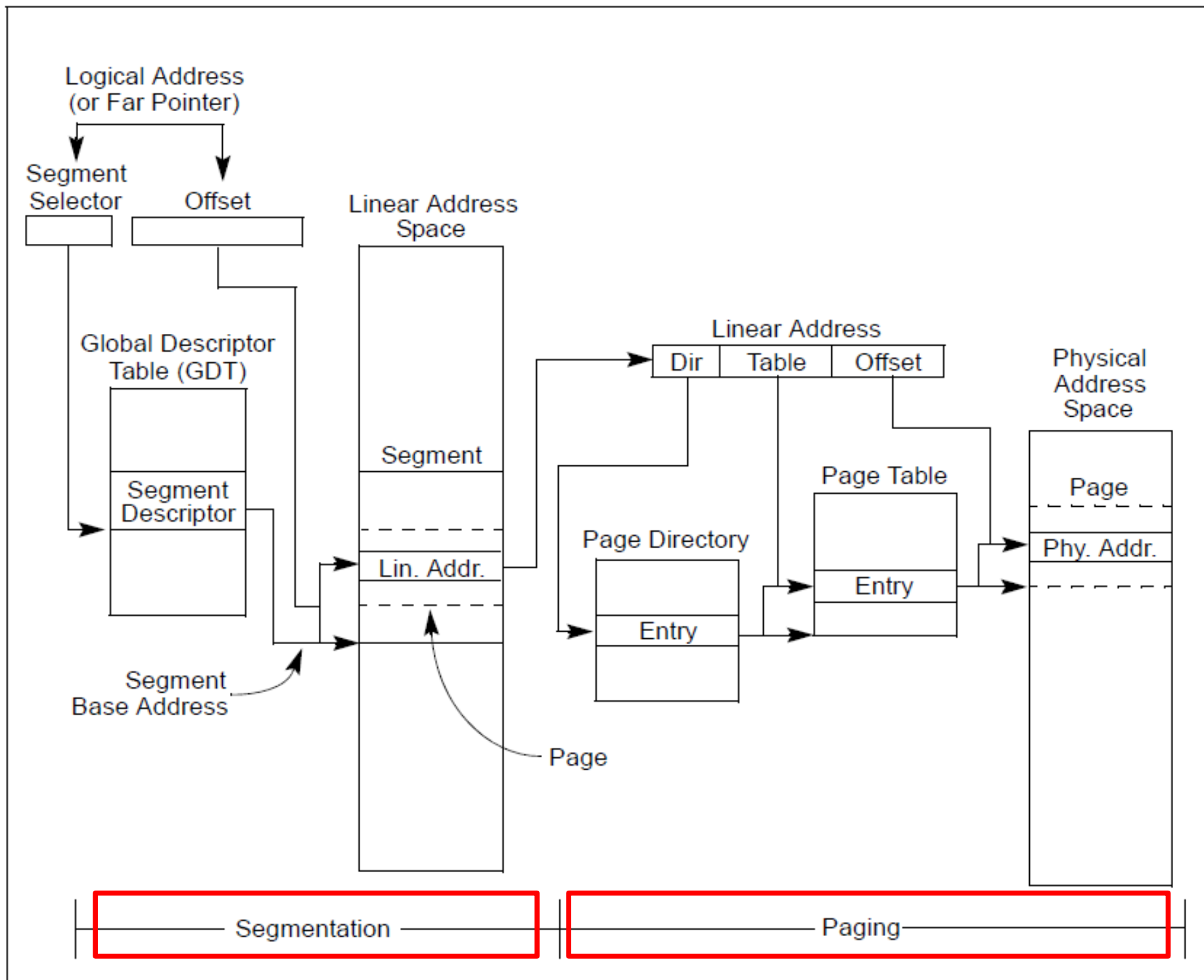










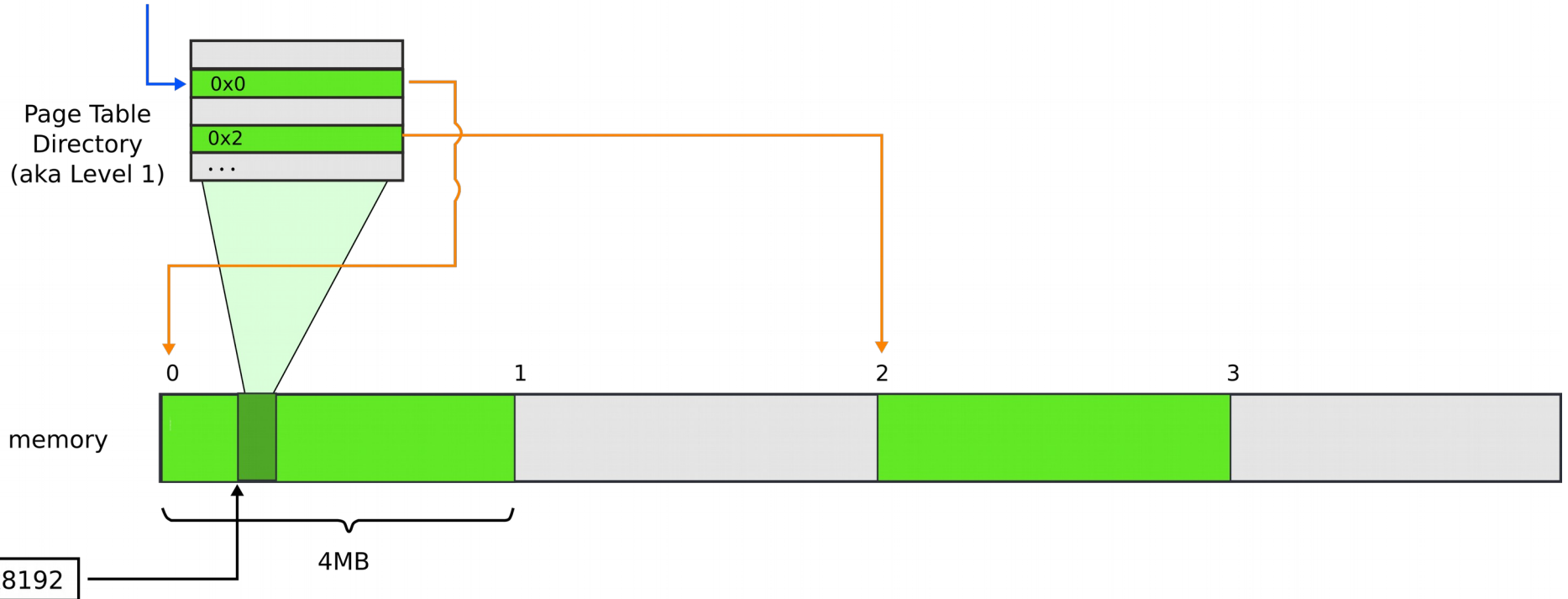


32bit x86 supports two page sizes

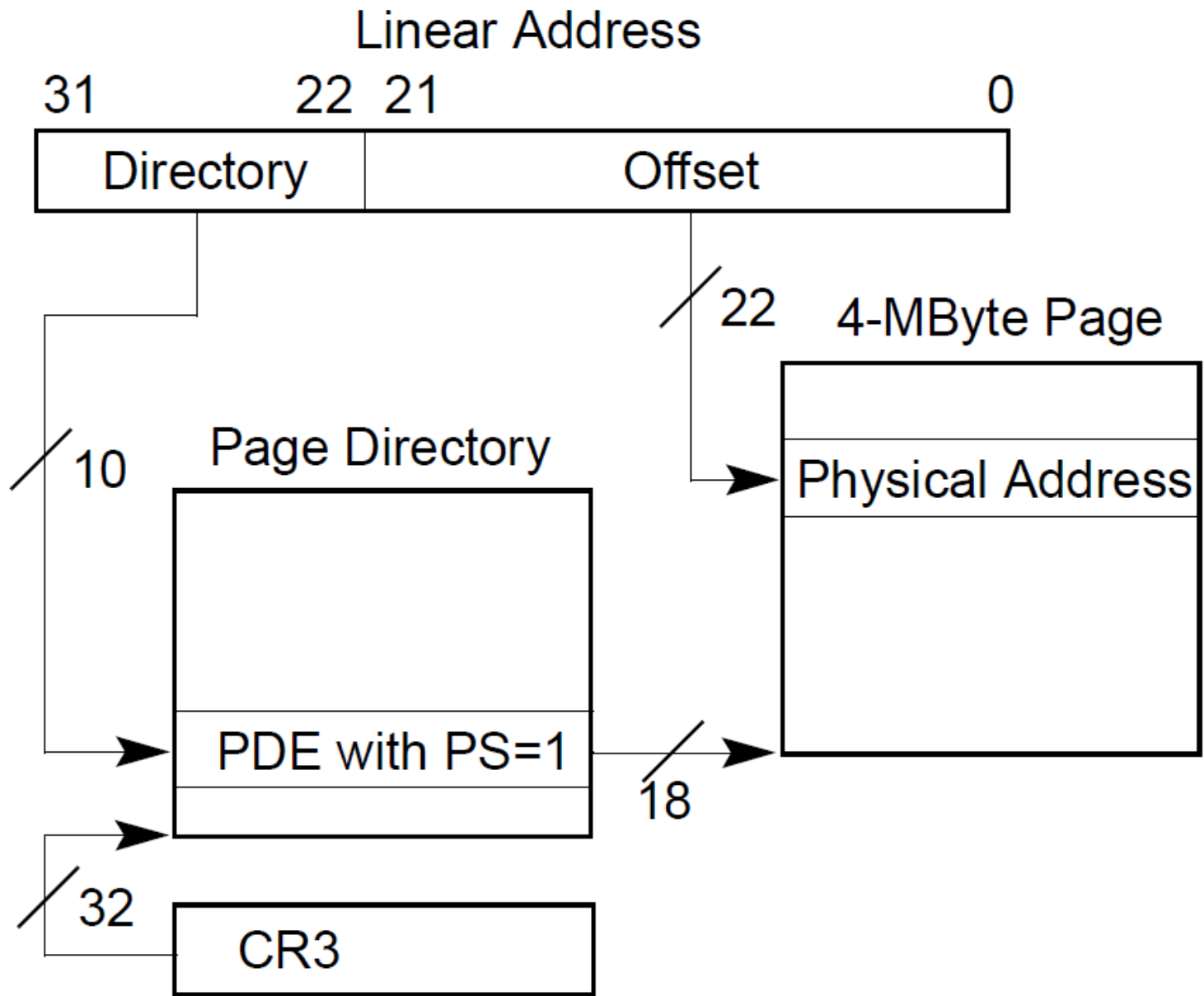
- 4KB pages
- 4MB pages

Page translation for 4MB pages

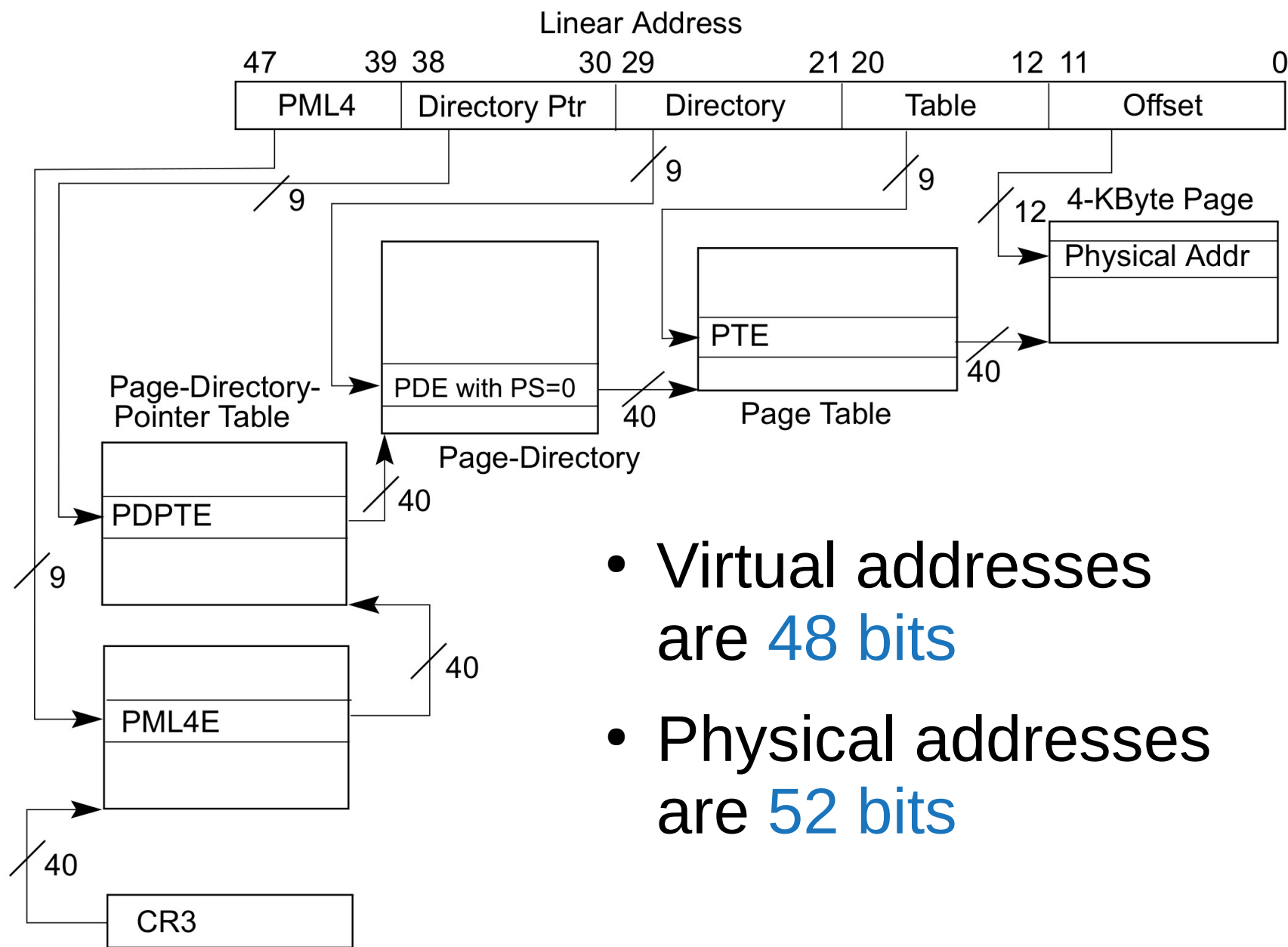
0x410010 = 00 0000 000100 0001 00000000 0001 0000



Page translation for 4MB pages



Page translation in 64bit mode



- Virtual addresses are **48 bits**
- Physical addresses are **52 bits**

Questions?

What pages are used for

- Protect parts of the program
 - E.g., map code as read-only
 - Disable code modification attacks
 - Remember R/W bit in PTD/PTE entries!
 - E.g., map stack as non-executable
 - Protects from stack smashing attacks
 - Non-executable bit

More paging tricks

- Determine a working set of a program?

More paging tricks

- Determine a working set of a program?
 - Use “accessed” bit

More paging tricks

- Determine a working set of a program?
 - Use “accessed” bit
- Iterative copy of a working set?
 - Used for virtual machine migration

More paging tricks

- Determine a working set of a program?
 - Use “accessed” bit
- Iterative copy of a working set?
 - Used for virtual machine migration
 - Use “dirty” bit

More paging tricks

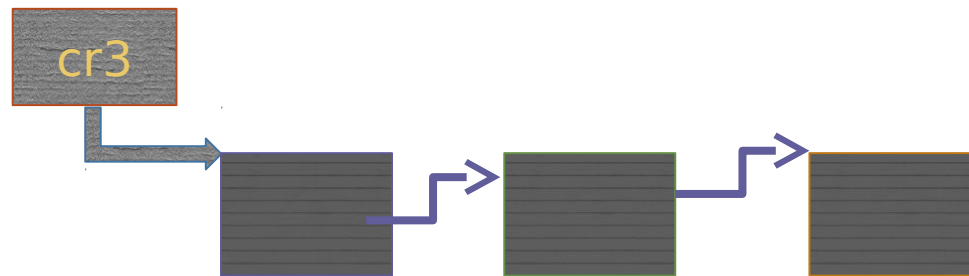
- Determine a working set of a program?
 - Use “accessed” bit
- Iterative copy of a working set?
 - Used for virtual machine migration
 - Use “dirty” bit
- Copy-on-write memory, e.g. lightweight `fork()`?

More paging tricks

- Determine a working set of a program?
 - Use “accessed” bit
- Iterative copy of a working set?
 - Used for virtual machine migration
 - Use “dirty” bit

TLB

- Walking page table is slow
 - Each memory access is 240 (local) - 360 (one QPI hop away) cycles on modern hardware
 - L3 cache access is 50 cycles



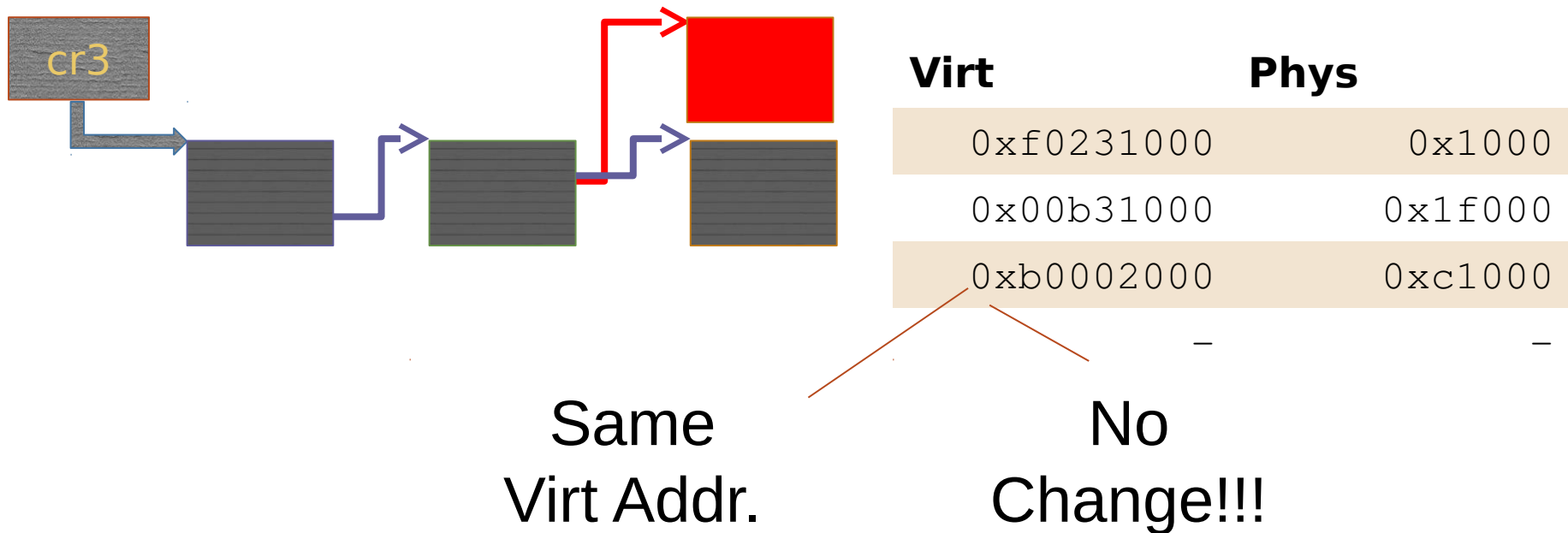
TLB

- CPU caches results of page table walks
 - In translation lookaside buffer (TLB)

Virt	Phys
0xf0231000	0x1000
0x00b31000	0x1f000
0xb0002000	0xc1000
–	–

TLB invalidation

- TLB is a cache (in CPU)
 - It is not coherent with memory
 - If page table entry is changes, TLB remains the same and is out of sync



TLB invalidation

- After every page table update, OS needs to manually invalidate cached values
 - Flush TLB
 - Either one specific entry
 - Or entire TLB, e.g., when CR3 register is loaded
 - This happens when OS switches from one process to another
 - This is expensive
 - Refilling the TLB with new values takes time

Tagged TLBs

- Modern CPUs have “tagged TLBs”,
 - Each TLB entry has a “tag” – identifier of a process
 - No need to flush TLBs on context switch
- On Intel this mechanism is called
 - Process-Context Identifiers (PCIDs)

Virt	Phys	Tag
0xf0231000	0x1000	P1
0x00b31000	0x1f000	P2
0xb0002000	0xc1000	P1

When would you disable paging?

When would you disable paging?

- Imagine you're running a memcached
 - Key/value cache
- You serve 1024 byte values (typical) on 10Gbps connection
 - 1024 byte packets can leave every 835ns, or 1670 cycles (2GHz machine)
 - This is your target budget per packet

When would you disable paging?

- Now, to cover 32GB RAM with 4K pages
 - You need 64MB space
 - 64bit architecture, 4-level page tables (or 5-levels now)
- Page tables do not fit in L3 cache
 - Modern servers come with 32MB cache
- Every cache miss results in up to 4 cache misses due to page walk (remember 4-level page tables)
 - Each cache miss is 250 cycles
- Solution: 1GB pages

Back of the envelope

- If a page is 4K and an entry is 4 bytes, how many entries per page?

Back of the envelope

- If a page is 4K and an entry is 4 bytes, how many entries per page?
 - 1k

Back of the envelope

- If a page is 4K and an entry is 4 bytes, how many entries per page?
 - 1k
- How large of an address space can 1 page represent?

Back of the envelope

- If a page is 4K and an entry is 4 bytes, how many entries per page?
 - 1k
- How large of an address space can 1 page represent?
 - $1\text{k entries} * 1\text{page/entry} * 4\text{K/page} = 4\text{MB}$

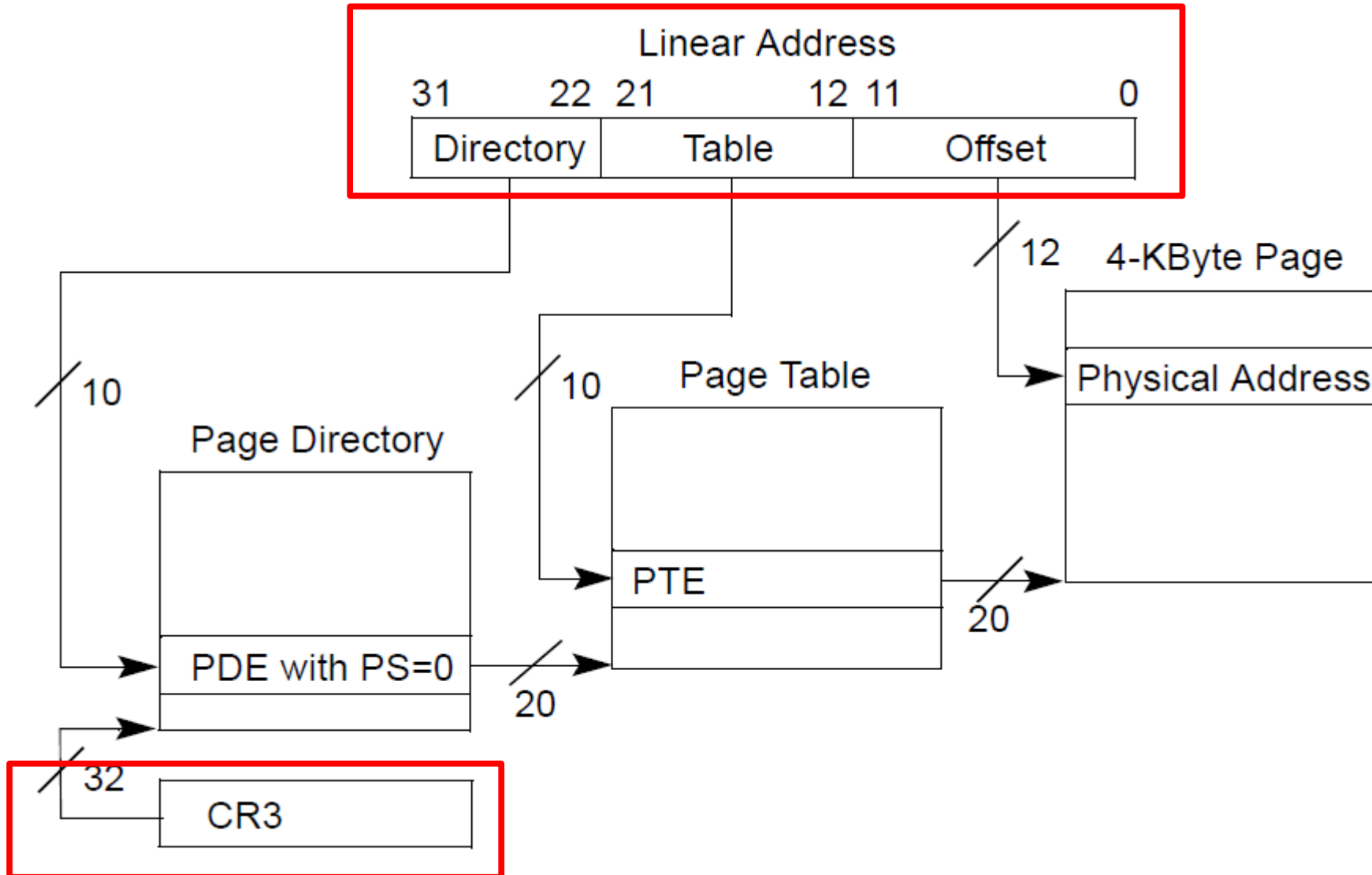
Back of the envelope

- If a page is 4K and an entry is 4 bytes, how many entries per page?
 - 1k
- How large of an address space can 1 page represent?
 - $1\text{k entries} * 1\text{page/entry} * 4\text{K/page} = 4\text{MB}$
- How large can we get with a second level of translation?

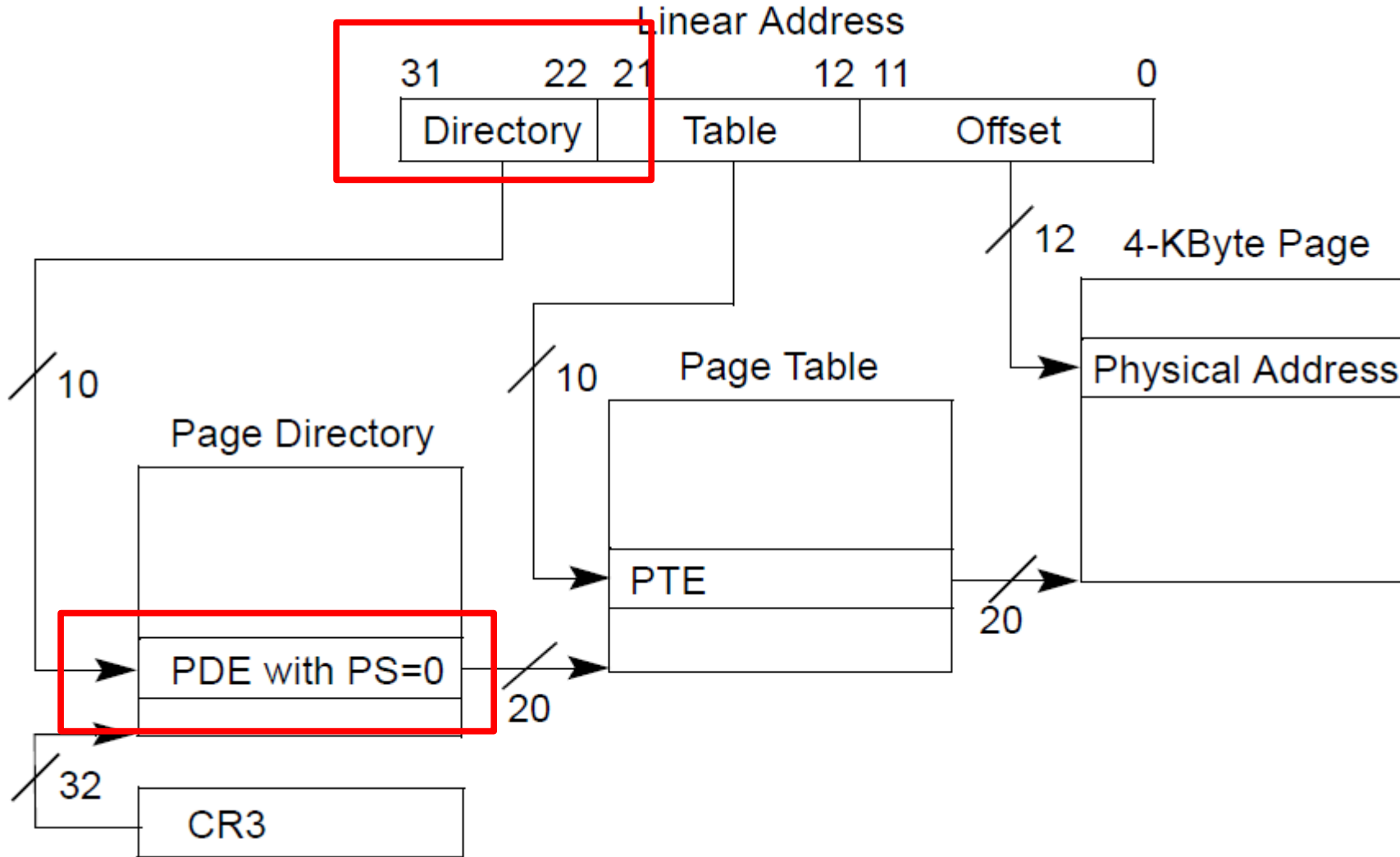
Back of the envelope

- If a page is 4K and an entry is 4 bytes, how many entries per page?
 - 1k
- How large of an address space can 1 page represent?
 - $1\text{k entries} * 1\text{page/entry} * 4\text{K/page} = 4\text{MB}$
- How large can we get with a second level of translation?
 - $1\text{k tables/dir} * 1\text{k entries/table} * 4\text{k/page} = 4\text{ GB}$
 - Nice that it works out that way!

Page translation



Page translation



Page directory entry (PDE)

31	30	29	28	27	26	25	24	23	22	21	20	19	18	17	16	15	14	13	12	11	10	9	8	7	6	5	4	3	2	1	0	
Address of page table												Ignored				<u>0</u>	I g n	A	P C D	PW T	U / S	R / W	<u>1</u>	PDE: page table								

- 20 bit address of the page table

Page directory entry (PDE)

31	30	29	28	27	26	25	24	23	22	21	20	19	18	17	16	15	14	13	12	11	10	9	8	7	6	5	4	3	2	1	0	
Address of page table												Ignored			<u>0</u>	I g n	A	P C D	PW T	U / S	R / W	<u>1</u>	PDE: page table									

- 20 bit address of the page table
- Wait... 20 bit address, but we need 32 bits

Page directory entry (PDE)

31	30	29	28	27	26	25	24	23	22	21	20	19	18	17	16	15	14	13	12	11	10	9	8	7	6	5	4	3	2	1	0	
Address of page table												Ignored			<u>0</u>	I g n	A	P C D	P W T	U / S	R / W	<u>1</u>	PDE: page table									

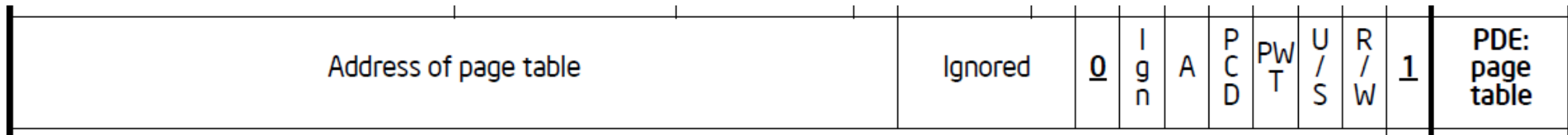
- 20 bit address of the page table
- Wait... 20 bit address, but we need 32 bits
 - Pages 4KB each, we need 1M to cover 4GB
 - Pages start at 4KB (page aligned boundary)

Page directory entry (PDE)

31	30	29	28	27	26	25	24	23	22	21	20	19	18	17	16	15	14	13	12	11	10	9	8	7	6	5	4	3	2	1	0	
Address of page table												Ignored			<u>0</u>	I g n	A	P C D	PW T	U / S	R / W	<u>1</u>	PDE: page table									

- Bit #1: R/W – writes allowed?
 - But allowed where?

Page directory entry (PDE)



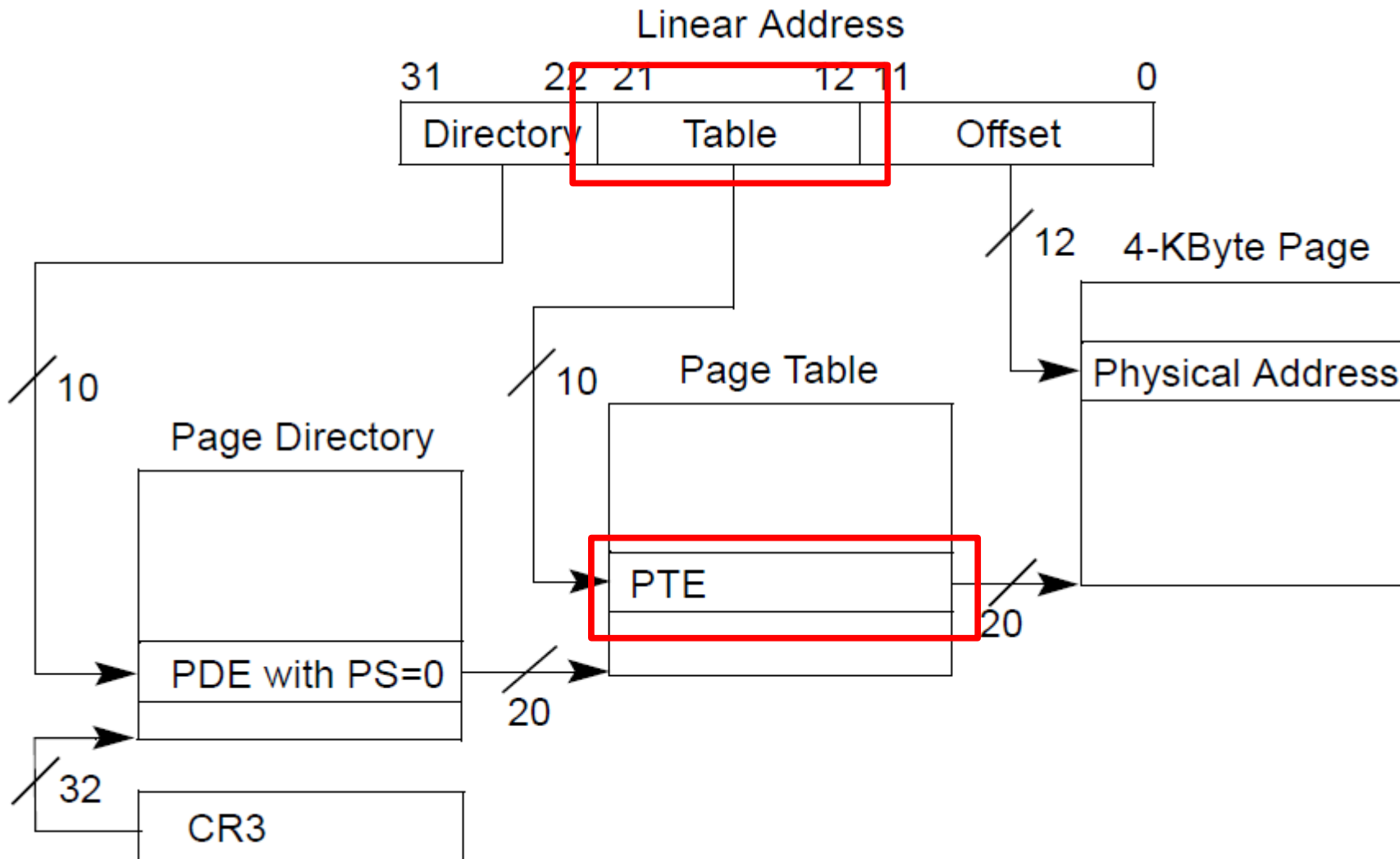
- Bit #1: R/W – writes allowed?
 - But allowed where?
 - One page directory entry controls 1024 Level 2 page tables
 - Each Level 2 maps 4KB page
 - So it's a region of 4KB x 1024 = 4MB

Page directory entry (PDE)

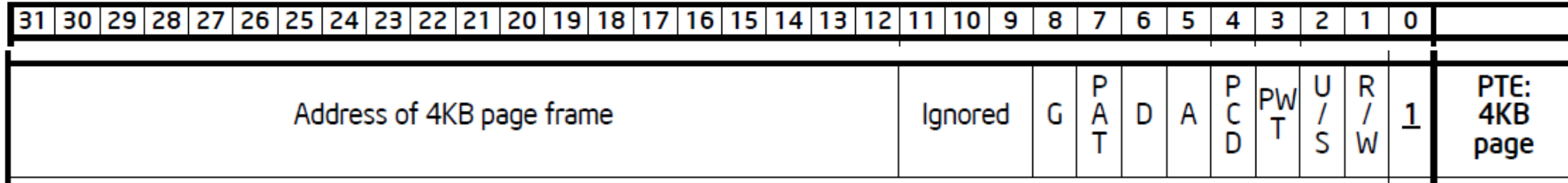
31	30	29	28	27	26	25	24	23	22	21	20	19	18	17	16	15	14	13	12	11	10	9	8	7	6	5	4	3	2	1	0	
Address of page table												Ignored			<u>0</u>	I g n	A	P C D	PW T	U / S	R / W	<u>1</u>	PDE: page table									

- Bit #2: U/S – user/supervisor
 - If 0 – user-mode access is not allowed
 - Allows protecting kernel memory from user-level applications

Page translation

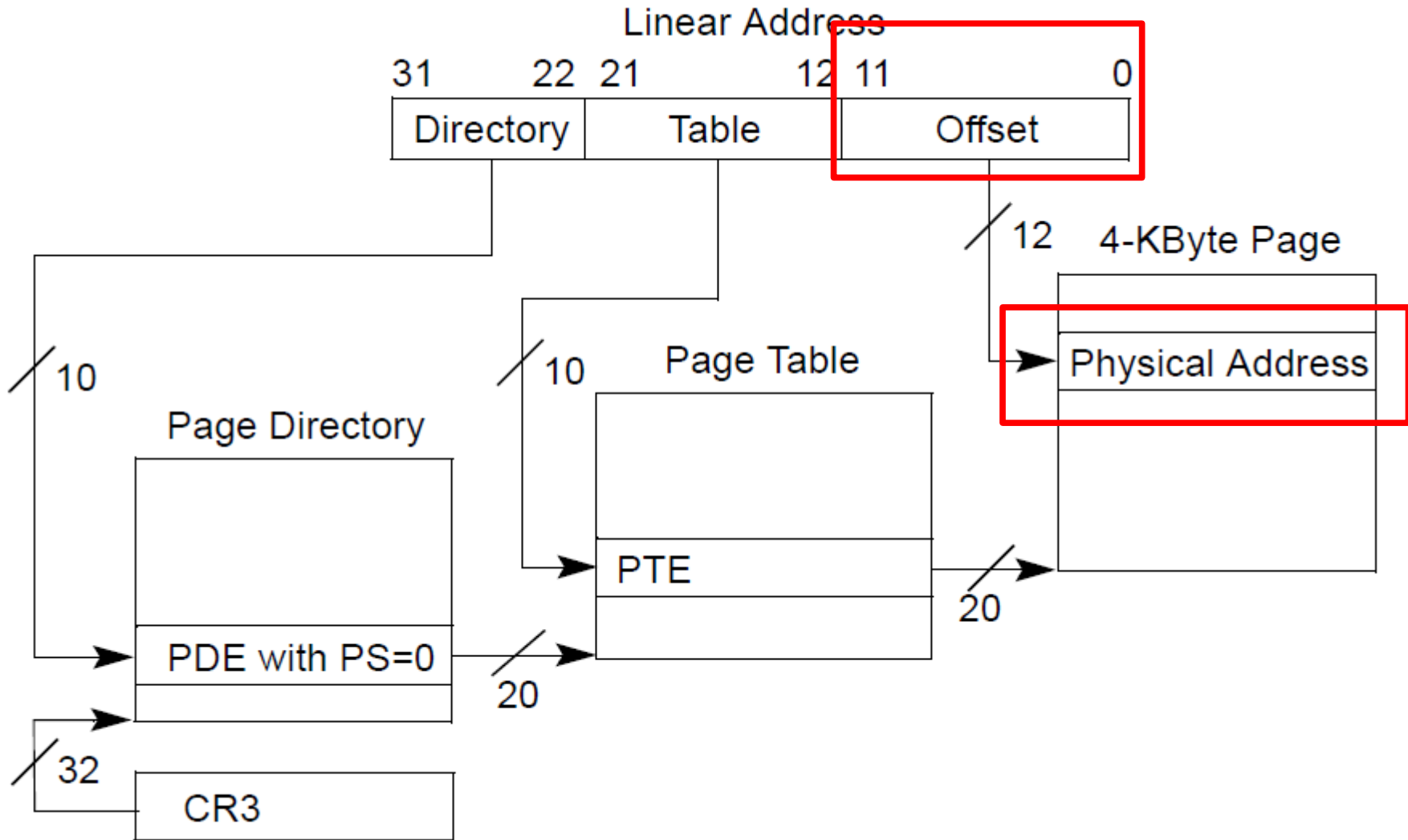


Page table entry (PTE)



- 20 bit address of the 4KB page
 - Pages 4KB each, we need 1M to cover 4GB
- Bit #1: R/W – writes allowed?
 - To a 4KB page
- Bit #2: U/S – user/supervisor
 - If 0 user-mode access is not allowed
- Bit #5: A – accessed
- Bit #6: D – dirty – software has written to this page

Page translation



Questions?