

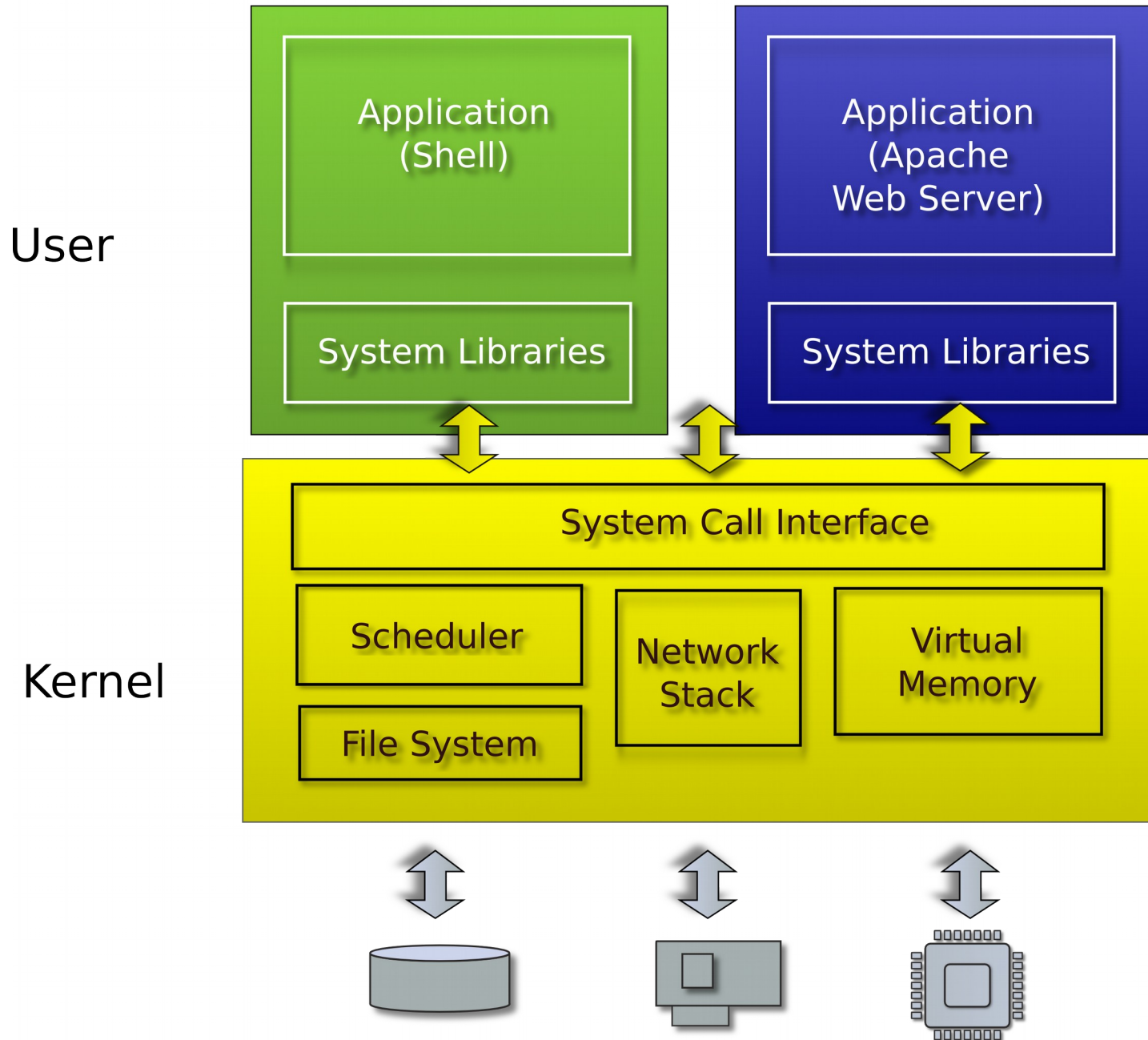
Lecture 2: OS Interfaces

Anton Burtsev
September, 2021

Recap: role of the operating system

- Share hardware across multiple processes
 - Illusion of private CPU, private memory
- Abstract hardware
 - Hide details of specific hardware devices
- Provide services
 - Serve as a library for applications
- Security
 - Isolation of processes
 - Controlled ways to communicate (in a secure manner)

Typical UNIX OS

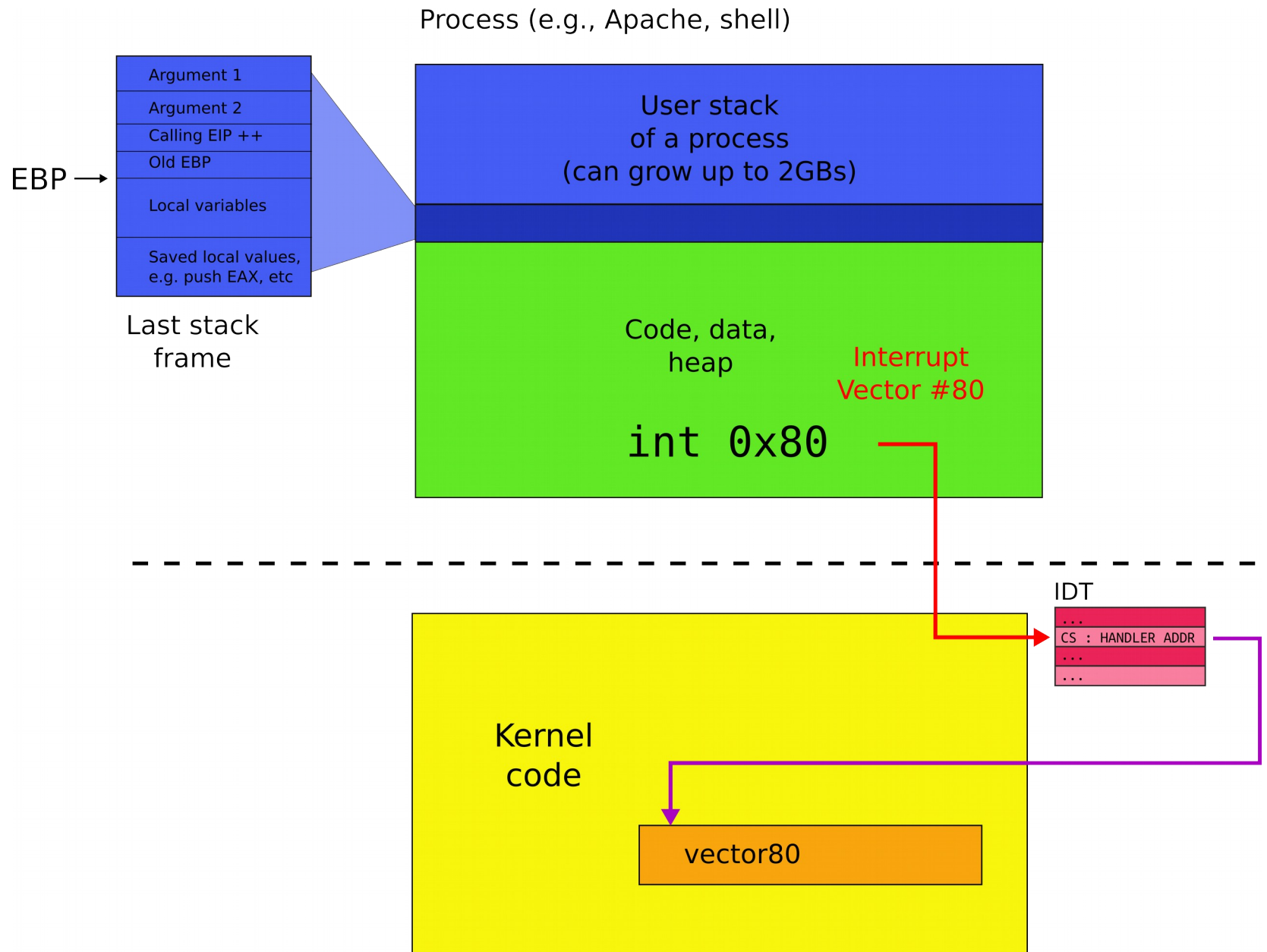


System calls

- Provide user to kernel communication
 - Effectively an invocation of a kernel function

- *System calls implement the interface of the OS*

System call



What system calls do we need?

System calls, interface for...

- Processes
 - Creating, exiting, waiting, terminating
- Memory
 - Allocation, deallocation
- Files and folders
 - Opening, reading, writing, closing
- Inter-process communication
 - Pipes

UNIX (xv6) system calls are designed around the **shell**

```
Sun/01.10:/home/aburtsev/projects/xv6-public
aburtsev-ThinkPad-X1-Carbon-3rd:516- /23:21>ls
asm.h          cat.o          entryother.o  fs.o          init.d        kill.d
bio.c          cat.sym        entryother.S  gdbutil       init.o        kill.o
bio.d          console.c      entry.S       _grep*       init.sym      kill.sym
bio.o          console.d      exec.c        grep.asm      ioapic.c     lapic.c
bootasm.d     console.o      exec.d        grep.c        ioapic.d     lapic.d
bootasm.o     cuth*         exec.o        grep.d        ioapic.o     lapic.o
bootasm.S     date.h        fcntl.h      grep.o        kalloc.c     LICENSE
bootblock*    defs.h        file.c        grep.sym      kalloc.d     ln*
bootblock.asm dot-bochsrc*  file.d        ide.c         kalloc.o     ln.asm
bootblock.o*  _echo*        file.h        ide.d         kbd.c        ln.c
bootblockother.o* echo.asm      file.o        ide.o         kbd.d        ln.d
bootmain.c    echo.c        _forktest*   _init*       kbd.h        ln.o
bootmain.d    echo.d        forktest.asm init.asm      kbd.o        ln.sym
bootmain.o    echo.o        forktest.c   init.c        kernel*      log.c
buf.h         echo.sym      forktest.d   initcode*    kernel.asm   log.d
BUGS          elf.h         forktest.o   initcode.asm kernel.ld     log.o
_cat*         entry.o       fs.c         initcode.d   kernel.sym   ls*
cat.asm       entryother*   fs.d         initcode.o   _kill*      ls.asm
cat.c         entryother.asm fs.h         initcode.out* kill.asm     ls.c
cat.d         entryother.d  fs.img      initcode.S   kill.c       ls.d
Sun/01.10:/home/aburtsev/projects/xv6-public
aburtsev-ThinkPad-X1-Carbon-3rd:517- /23:22>
```


Why shell?



Ken Thompson (sitting) and Dennis Ritchie (standing) are working together on a PDP-11 (around 1970). They are using Teletype Model 33 terminals.



DEC LA36 DECwriter II Terminal



DEC VT100 terminal, 1980

Suddenly this makes sense

- List all files

```
\> ls
total 9212
drwxrwxr-x   3 aburtsev aburtsev   12288 Oct  1 08:27 ./
drwxrwxr-x  43 aburtsev aburtsev   4096 Oct  1 08:25 ../
-rw-rw-r--   1 aburtsev aburtsev    936 Oct  1 08:26 asm.h
-rw-rw-r--   1 aburtsev aburtsev   3397 Oct  1 08:26 bio.c
-rw-rw-r--   1 aburtsev aburtsev    100 Oct  1 08:26 bio.d
-rw-rw-r--   1 aburtsev aburtsev   6416 Oct  1 08:26 bio.o
...
```

- Count number of lines in a file (ls.c implements ls)

```
\> wc -l ls.c
85 ls.c
```

But what is shell?

But what is shell?

- Normal process
 - Kernel starts it for each user that logs into the system
 - In xv6 shell is created after the kernel boots
- Shell interacts with the kernel through system calls
 - E.g., starts other processes

What happens underneath?

```
\> wc -l ls.c
```

```
85 ls.c
```

```
\>
```

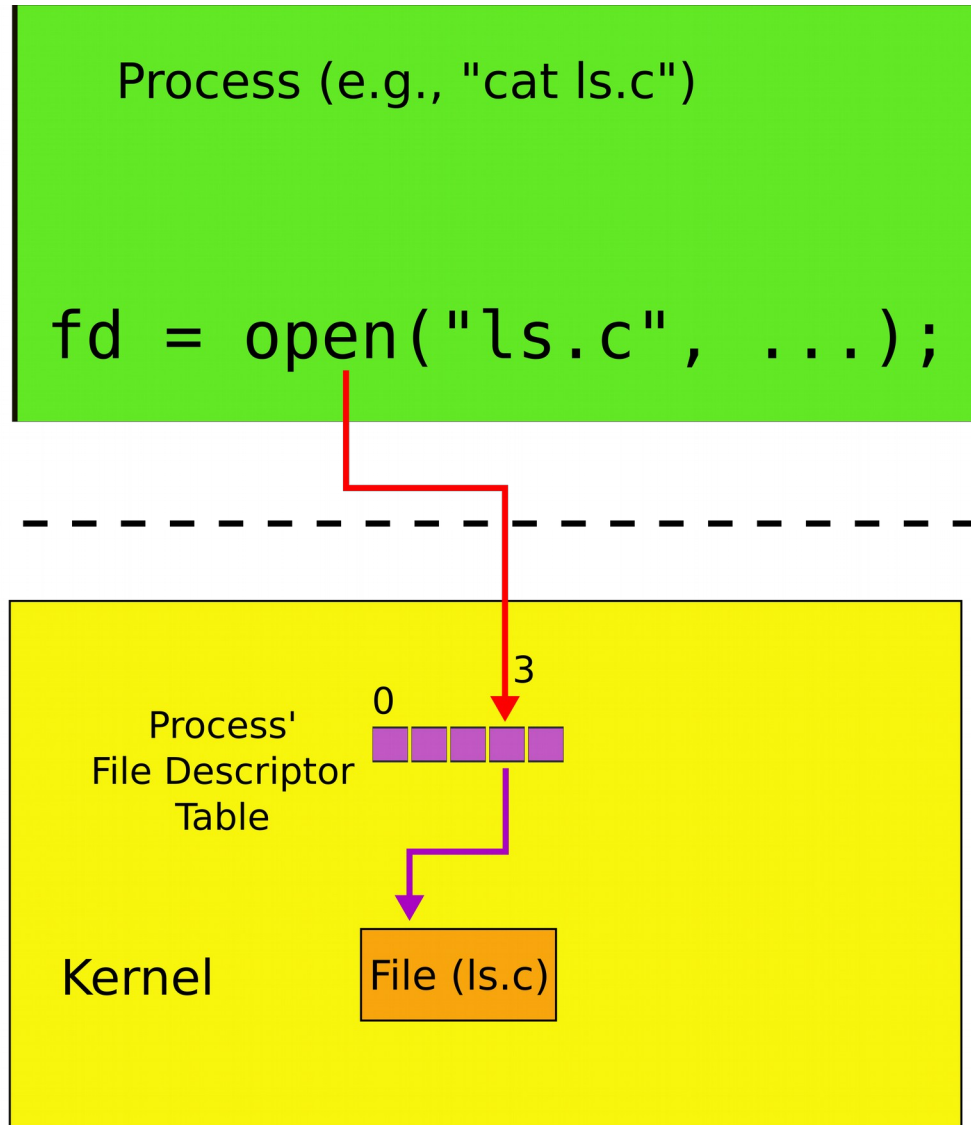
- Shell starts `wc`
 - Creates a new process to run `wc`
 - Passes the arguments (`-l` and `ls.c`)
- `wc` sends its output to the terminal (console)
 - Exits when done with `exit()`
- Shell detects that `wc` is done (`wait()`)
 - Prints (to the same terminal) its command prompt
 - Ready to execute the next command

Console and file I/O

File open

- `fd = open("ls.c", O_RDONLY)` – open a file
 - Operating system returns a file descriptor

File descriptors



File descriptors

- An index into a table, i.e., just an integer
- The table maintains pointers to “file” objects
 - Abstracts files, devices, pipes
 - In UNIX everything is a file – all objects provide file interface
- Process may obtain file descriptors through
 - Opening a file, directory, device
 - By creating a pipe
 - Duplicating an existing descriptor

File I/O

- `fd = open("foobar.txt", O_RDONLY)` – open a file
 - Operating system returns a file descriptor
- `read(fd, buf, n)` – read `n` bytes from `fd` into `buf`
- `write(fd, buf, n)` – write `n` bytes from `buf` into `fd`

File descriptors: two processes

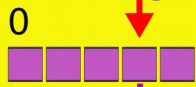
Process (e.g., "cat ls.c")

```
read(3, buf, size);
```

Process (e.g., "wc -l wc.c")

```
read(4, buf, size);
```

Green Process'
File Descriptor
Table



Kernel

File (ls.c)

Blue Process'
File Descriptor
Table



Kernel

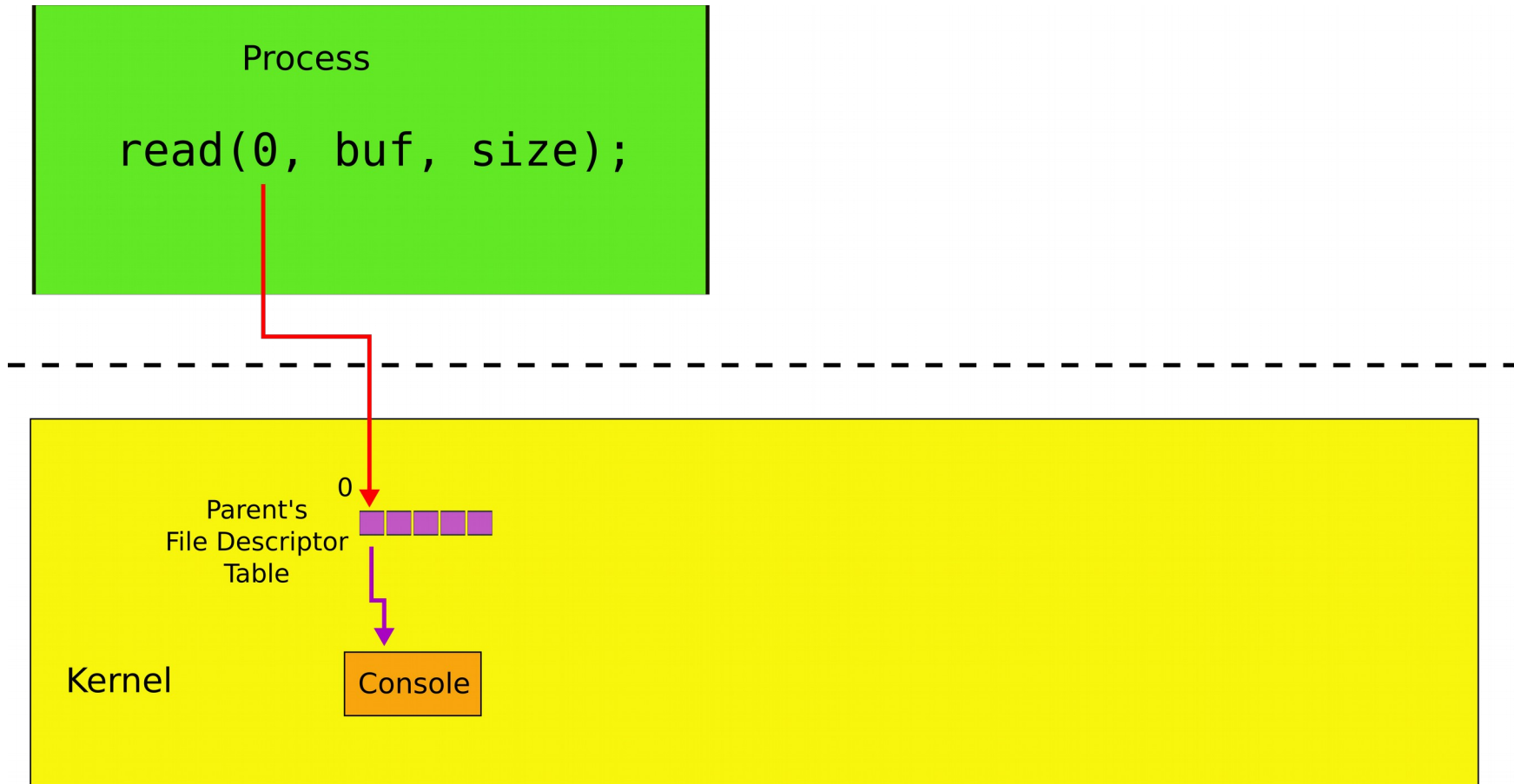
File (wc.c)

Console I/O

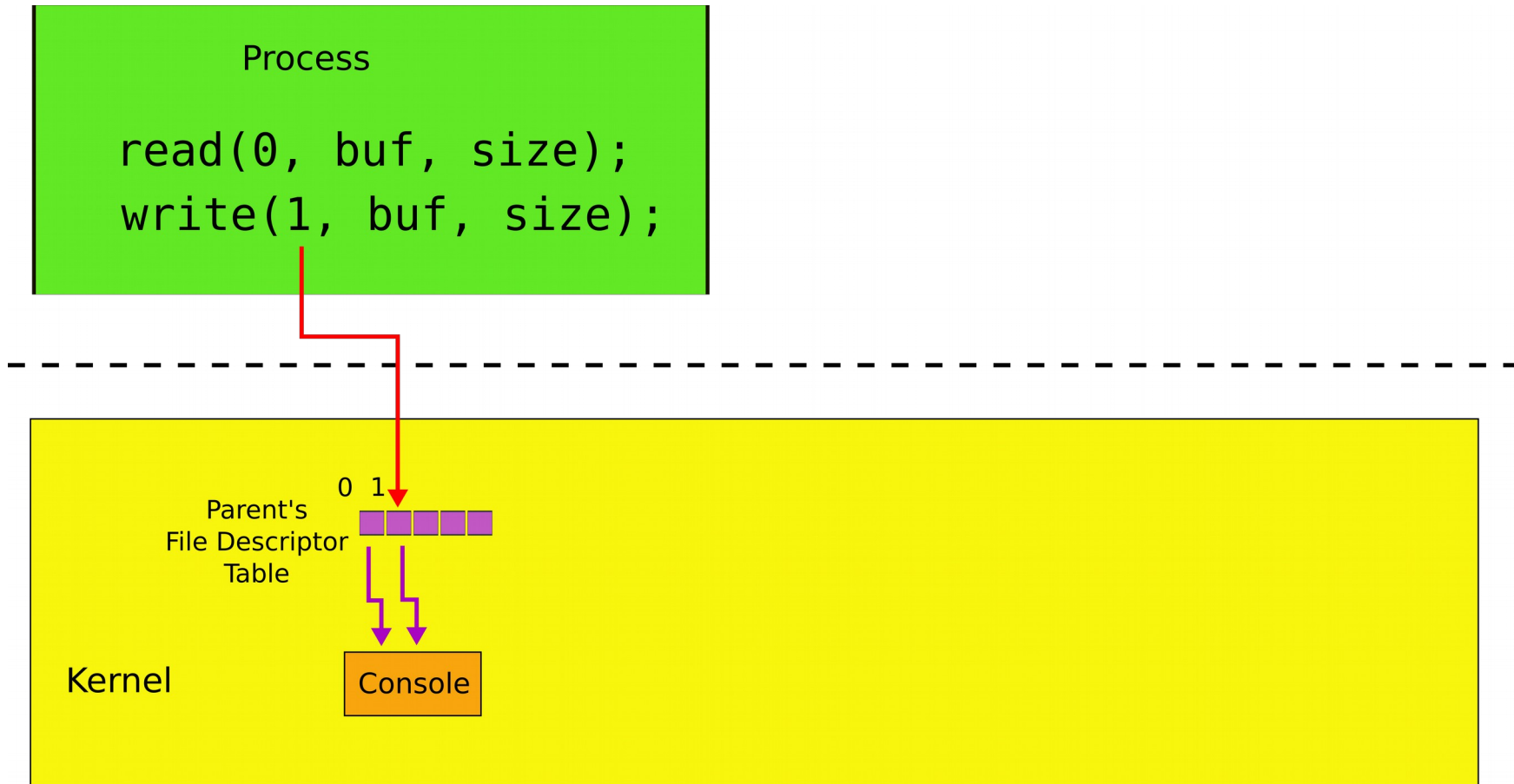
Each process has standard file descriptors

- Numbers are just a convention
 - 0 – standard input
 - 1 – standard output
 - 2 – standard error
- This convention is used by the shell to implement I/O redirection and pipes

Console read (read of standard input)



Console write (write of standard output)



Example: cat

```
1.  char buf[512];
2.  int n;
3.  for(;;) {
4.      n = read(0, buf, sizeof buf);
5.      if(n == 0)
6.          break;
7.      if(n < 0) {
8.          fprintf(2, "read error\n");
9.          exit(); }
10.     if(write(1, buf, n) != n) {
11.         fprintf(2, "write error\n");
12.         exit();
13.     }
14. }
```

Creating processes

fork()

Shell

```
pid = fork()
```

Kernel

fork()

Shell (parent)

32 = fork()

Shell (child)

0 = fork()

Kernel

fork() -- creates a new process

```
1.  int pid;
2.  pid = fork();
3.  if(pid > 0){
4.      printf("parent: child=%d\n", pid);
5.      pid = wait();
6.      printf("child %d is done\n", pid);
7.  } else if(pid == 0){
8.      printf("child: exiting\n");
9.      exit();
10. } else {
11.     printf("fork error\n");
12. }
```

This is weird... `fork()` creates
copies of the same process, why?

fork() is used together with exec()

- exec() -- replaces memory of a current process with a memory image (of a program) loaded from a file

```
char *argv[3];  
argv[0] = "echo";  
argv[1] = "hello";  
argv[2] = 0;  
exec("/bin/echo", argv);  
printf("exec error\n");
```

fork() and exec()

Parent (Shell)

```
32 = fork()
```

Child (Shell)

```
0 = fork();  
exec("/bin/wc", argv);
```

Kernel

fork() and exec()

Parent (Shell)

```
32 = fork()
```

```
main() {  
    ...  
} wc
```

Kernel

- Still weird... why first `fork()` and then `exec()`?
- Why not `exec()` directly?

I/O Redirection

Motivating example #1

- Normally `wc` sends its output to the console (screen)
 - Count the number of lines in `ls.c`

```
\> wc -l ls.c
```

```
85 ls.c
```

- What if we want to save the number of lines into a file?

Motivating example #1

- Normally `wc` sends its output to the console (screen)
 - Count the number of lines in `ls.c`

```
\> wc -l ls.c
```

```
85 ls.c
```

- What if we want to save the number of lines into a file?
 - We can add an argument

```
\> wc -l ls.c -o foobar.txt
```

Motivating example #1

```
\> wc -l ls.c -o foobar.txt
```

- But there is a better way

```
\> wc -l ls.c > foobar.txt
```


I/O redirection

- **>** redirect output
 - Redirect output of a command into a file

```
\> wc -l ls.c > foobar.txt
```

```
\> cat ls.c > ls-new.c
```

- **<** redirect input
 - Redirect input to read from a file

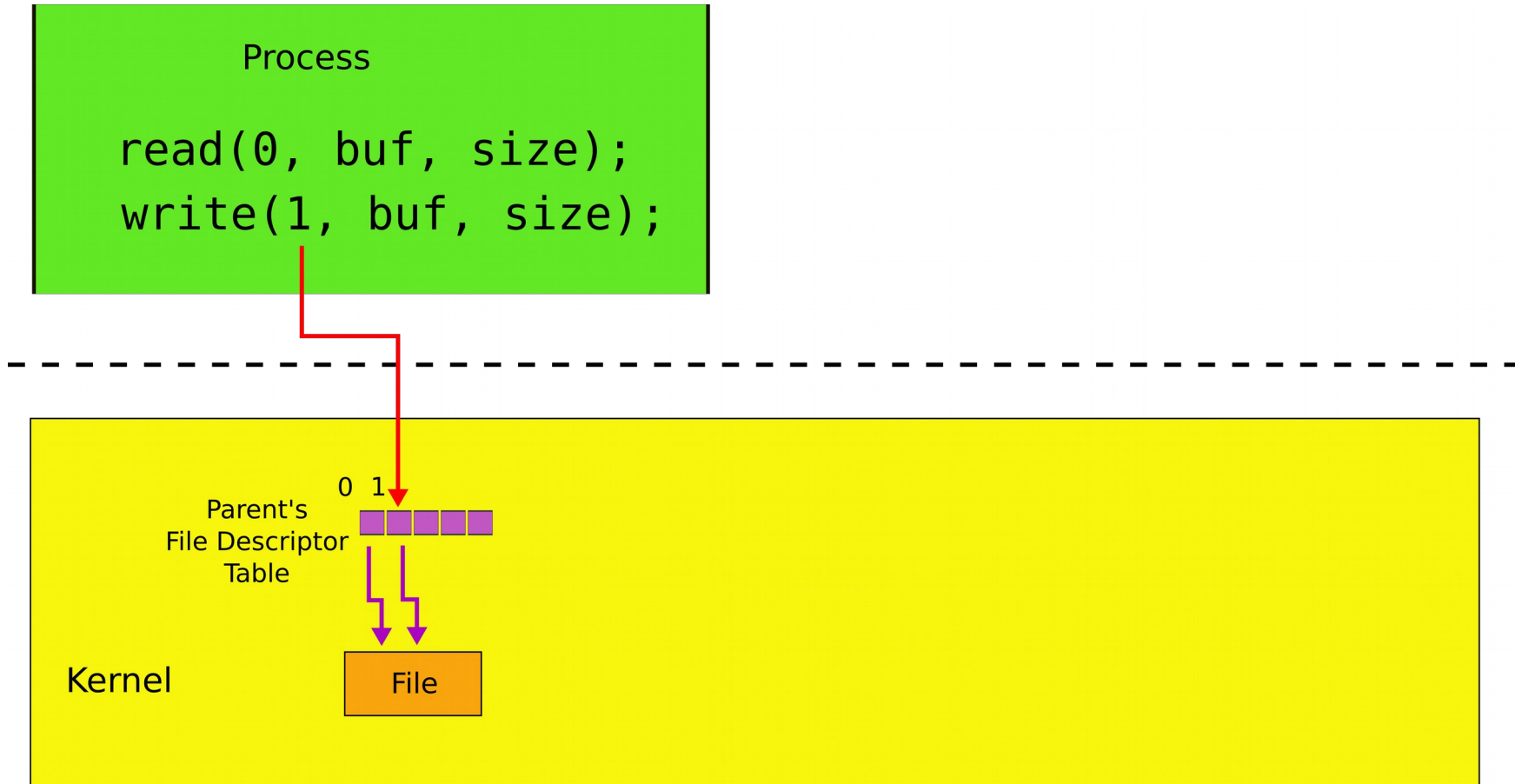
```
\> wc -l < ls.c
```

```
\> cat < ls.c
```

- Redirect both

```
\> wc -l < ls.c > foobar.txt
```

Standard output is now a file



Powerful design choice

- File descriptors don't have to point to files *only*
 - Any object with the same read/write interface is ok
 - Files
 - Devices
 - Console
 - Pipes

Example: cat

```
1.  char buf[512]; int n;
2.  for(;;) {
3.      n = read(0, buf, sizeof buf);
4.      if(n == 0)
5.          break;
6.      if(n < 0) {
7.          fprintf(2, "read error\n");
8.          exit(); }
9.      if(write(1, buf, n) != n) {
10.         fprintf(2, "write error\n");
11.         exit();
12.     }
13. }
```

Why do we need I/O redirection?

Motivating example #2

- We want to see how many strings in ls.c contain “main”

Motivating example #2

- We want to see how many strings in ls.c contain “main”
 - Imagine we have `grep`
 - `grep` filters strings matching a pattern

```
\>grep "main" ls.c
```

```
main(int argc, char *argv[])
```

- Or the same written differently

```
\>grep "main" < ls.c
```

```
main(int argc, char *argv[])
```

Motivating example #2

- Now we have
 - `grep`
 - Filters strings matching a pattern
 - `wc -l`
 - Counts lines

- Can we combine them?

Pipes

- Imagine we have a way to redirect output of one process into input of another

```
\> cat ls.c | grep main
```

- | (a “pipe”) does redirection

Pipes

- In our example:

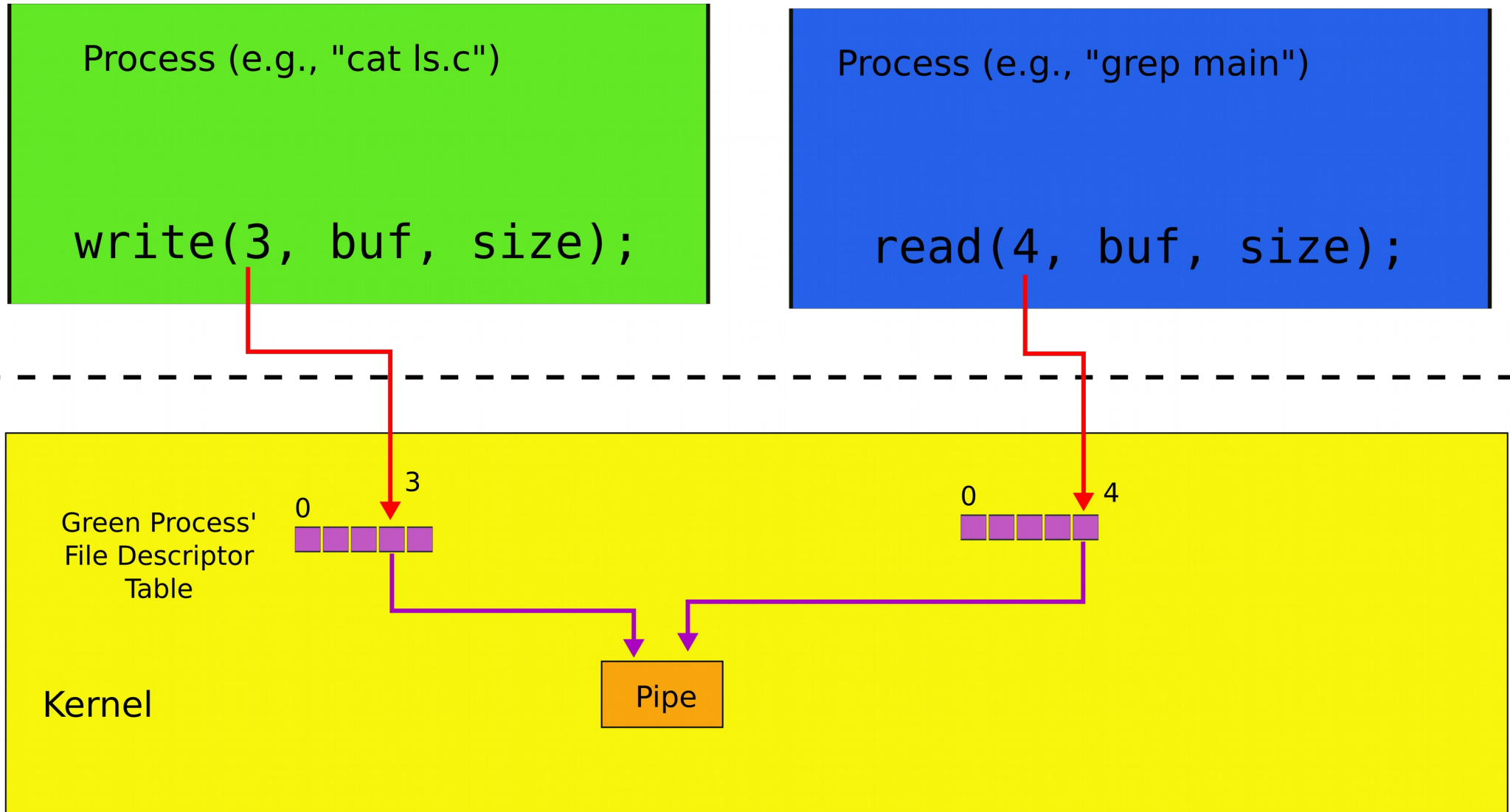
```
\> cat ls.c | grep main
```

- cat outputs ls.c to its output
 - cat's output is connected to grep's input with the pipe
 - grep filters lines that match a specific criteria, i.e., once that have “main”

pipe - inter-process communication

- Pipe is a kernel buffer exposed as a pair of file descriptors
 - One for reading, one for writing
- Pipes allow processes to communicate
 - Send messages to each other

Two file descriptors pointing to a pipe



Pipes allow us to connect programs,
i.e., the output of one program to the input of
another

Composability

- Now if we want to see how many strings in ls.c contain “main” we do:

```
\> cat ls.c | grep main | wc -l
```

1

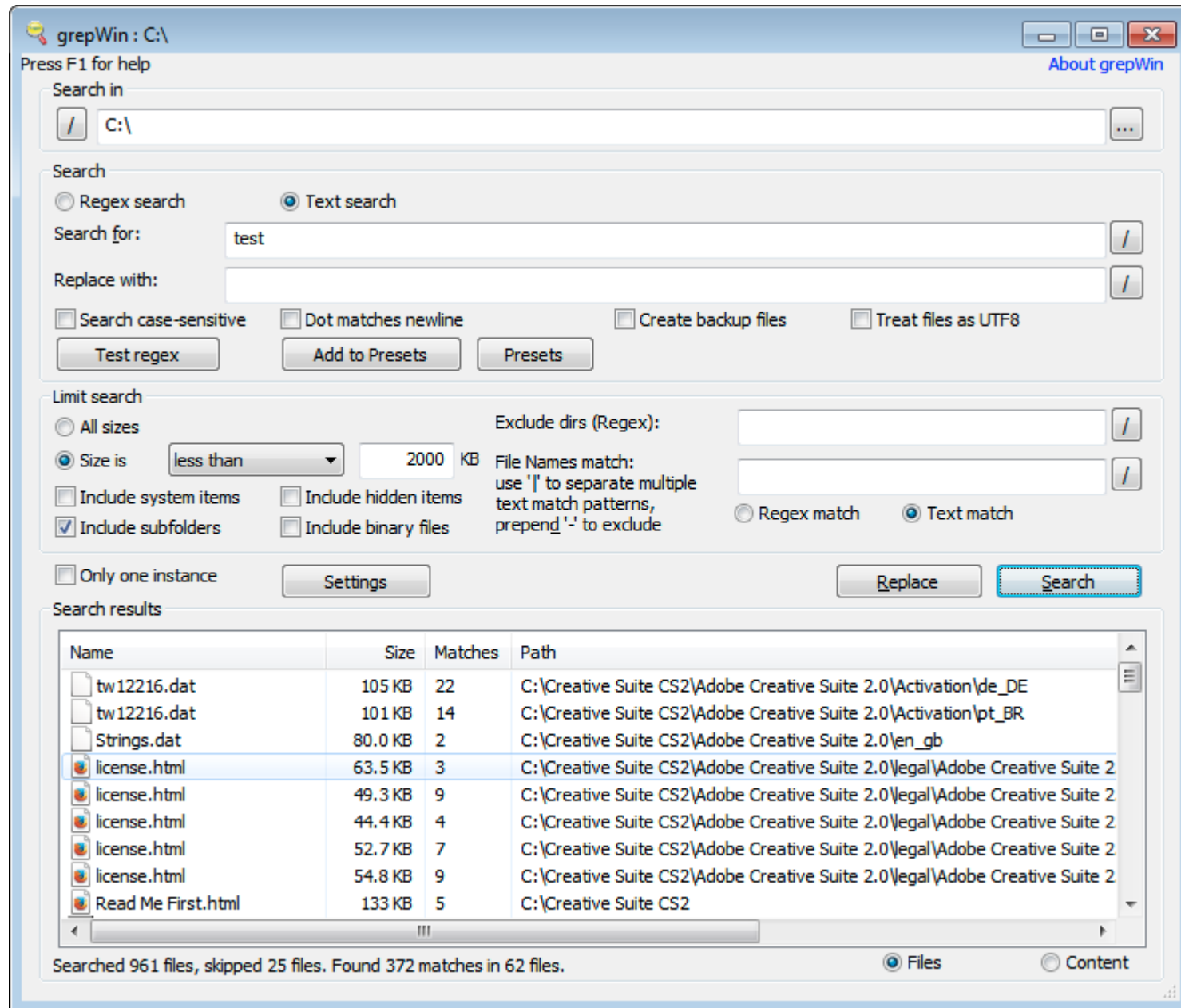
- .. but if we want to count the ones that contain “a”:

```
cat ls.c | grep a | wc -l
```

33

- We change only input to grep!
 - Small set of tools (ls, grep, wc) compose into complex workflows

Better than this...



Building I/O redirection

How can we build this?

```
\> cat ls.c | grep main | wc -l
```

- `wc` has to operate on the output of `grep`
- `grep` operates on the output of `cat`

Back to `fork()`

Shell

```
pid = fork()
```

Kernel

fork()

Shell (parent)

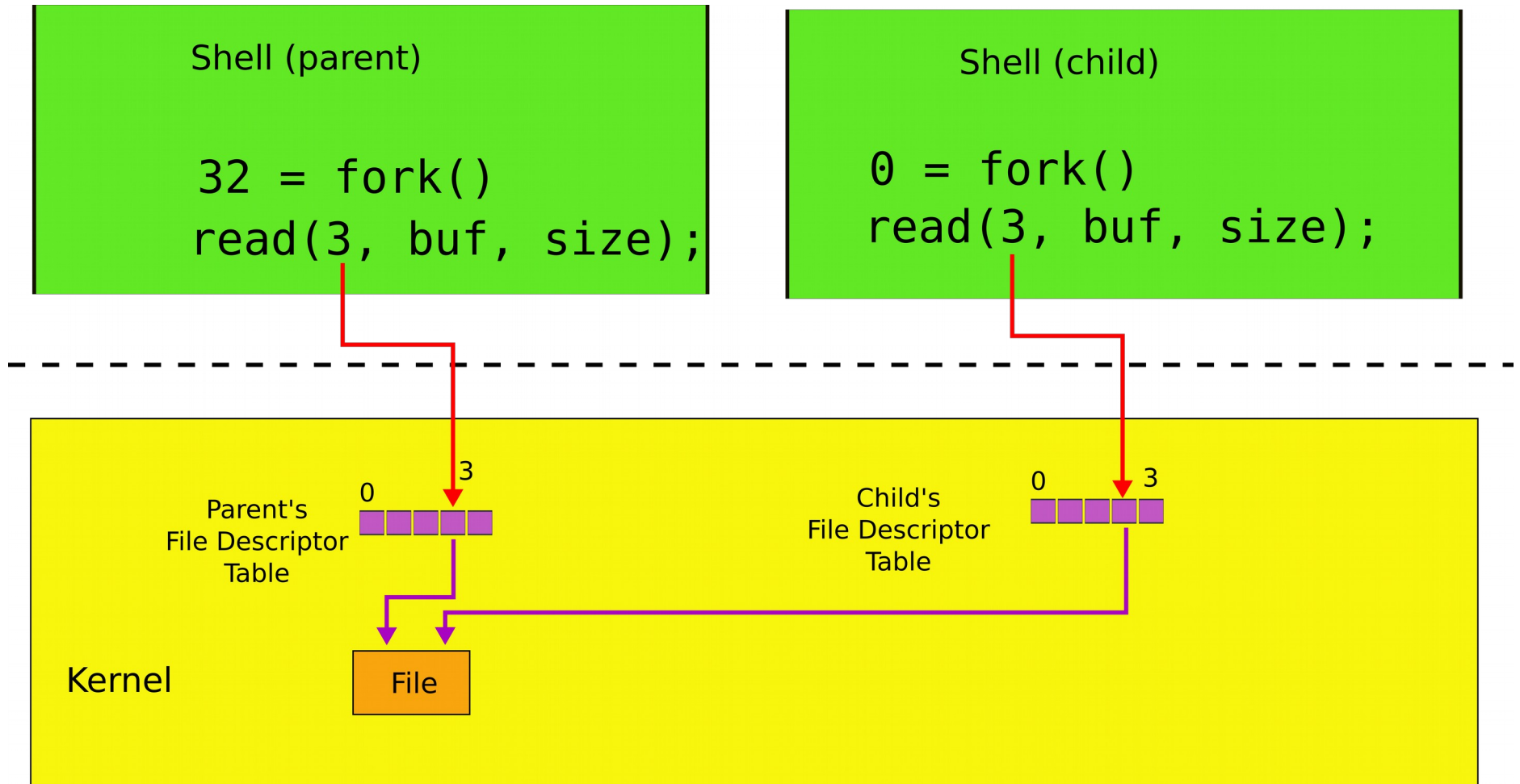
32 = fork()

Shell (child)

0 = fork()

Kernel

File descriptors after `fork()`

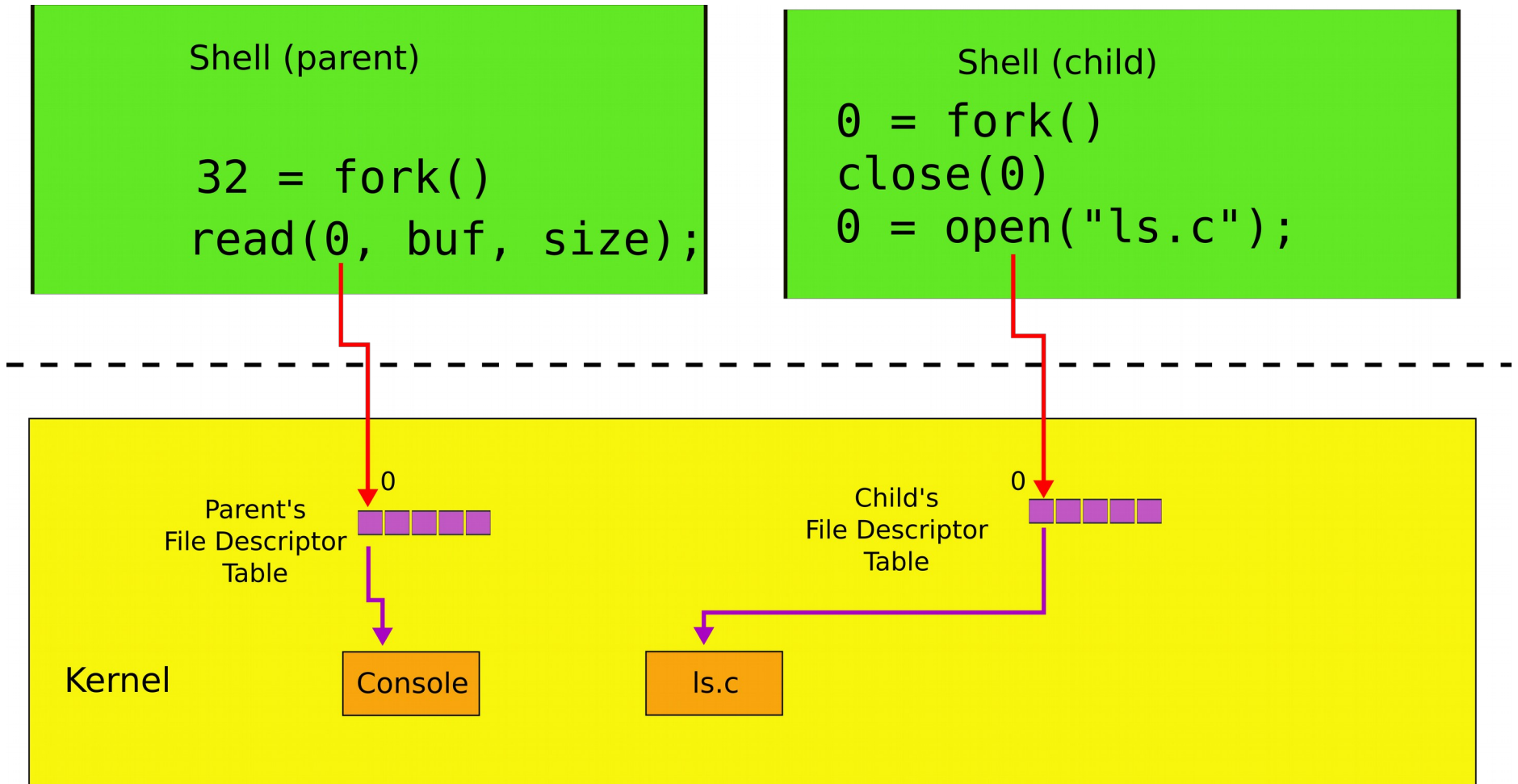


Two system calls for I/O redirection

- `close(fd)` – closes file descriptor
 - **The next opened file descriptor will have the lowest number**

File descriptors after `close()`/`open()`

Example: `\> cat < ls.c`

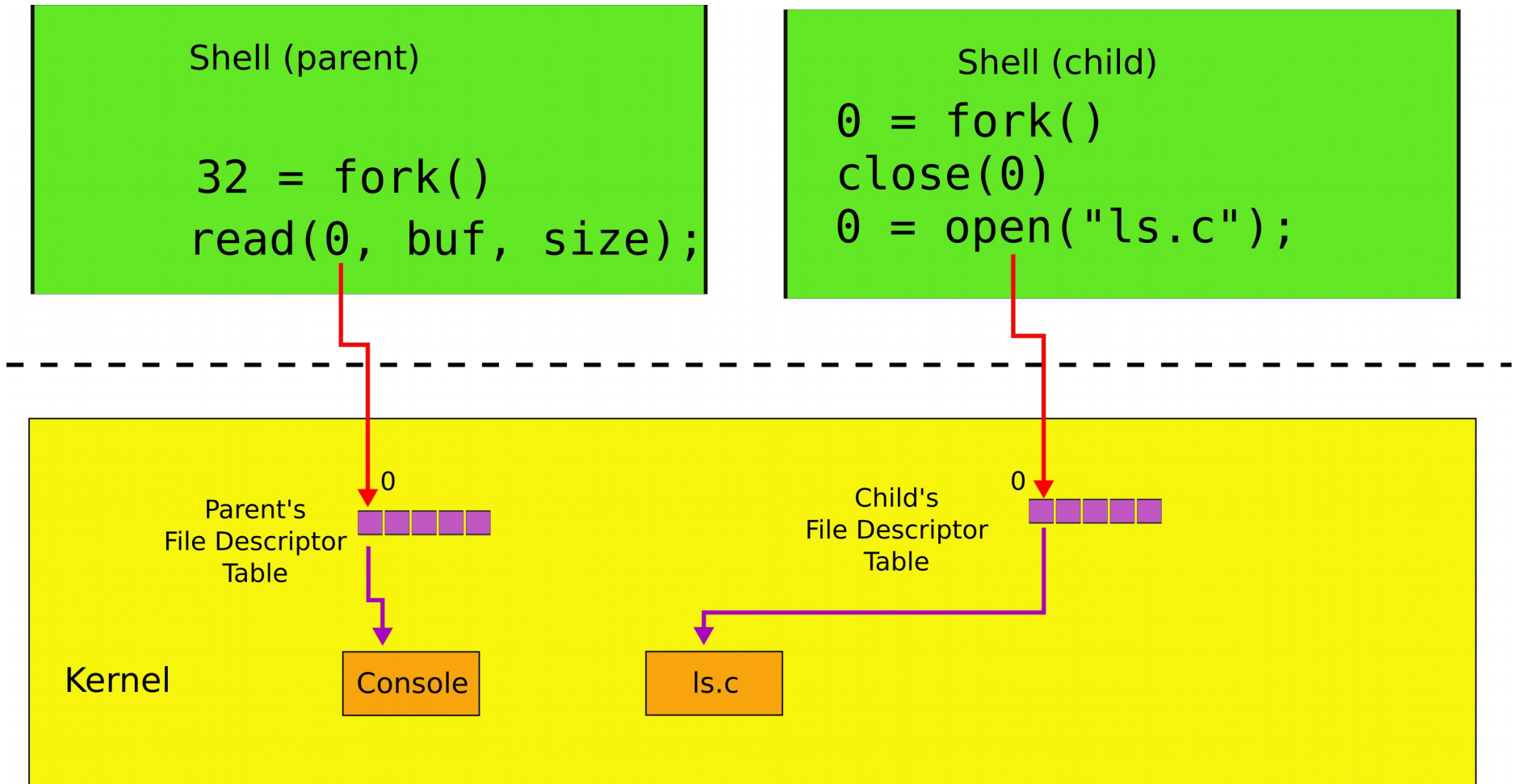


Two system calls for I/O redirection

- `close(fd)` – closes file descriptor
 - **The next opened file descriptor will have the lowest number**
- `exec()` replaces process memory, but
 - **leaves its file table (table of the file descriptors untouched)**
 - A process can create a copy of itself with `fork()`
 - Change the file descriptors for the next program it is about to run
 - And then execute the program with `exec()`

File descriptors after exec()

Example: `\> cat < ls.c`



Example: `\> cat < ls.c`

```
1.   char *argv[2];
2.   argv[0] = "cat";
3.   argv[1] = 0;
4.   if(fork() == 0) {
5.       close(0);
6.       open("ls.c", O_RDONLY);
7.       exec("cat", argv);
8.   }
```

Why `fork()` not just `exec()`

- The reason for the pair of `fork()/exec()`
 - Shell can manipulate the new process (the copy created by `fork()`)
 - Before running it with `exec()`

Back to Motivating example #2

```
(\> cat ls.c | grep main | wc -l)
```

Pipes

- We now understand how to use a pipe to connect two programs
 - Create a pipe
 - Fork
 - Attach one end to standard output
 - of the left side of “|”
 - Another to the standard input
 - of the right side of “|”

```
1. int p[2];
2. char *argv[2]; argv[0] = "wc"; argv[1] = 0;
3. pipe(p);
4. if(fork() == 0) {
5.     close(0);
6.     dup(p[0]);
7.     close(p[0]);
8.     close(p[1]);
9.     exec("/bin/wc", argv);
10. } else {
11.     write(p[1], "hello world\n", 12);
12.     close(p[0]);
13.     close(p[1]);
14. }
```

**wc on the
read end of
the pipe**

Parent

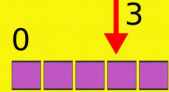
```
write(p[1],  
"hello world\n", 12);
```

wc -l

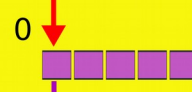
```
exec("/bin/wc", argv)  
read(0, buf, size);
```

Kernel

Parent's
File Descriptor
Table



Child's
File Descriptor
Table



Pipe



```
cat ls.c | grep main | wc -l
```

Powerful conclusion

- `fork()`, standard file descriptors, pipes and `exec()` allow complex programs out of simple tools
- They form the core of the UNIX interface

More system calls

Process management

- `exit()` -- terminate current process
- `wait()` -- wait for the child to exit

Creating files

- `mkdir()` – creates a directory
- `open(O_CREATE)` – creates a file
- `mknod()` – creates an empty file marked as device
 - Major and minor numbers uniquely identify the device in the kernel
- `fstat()` – retrieve information about a file

Links, inodes

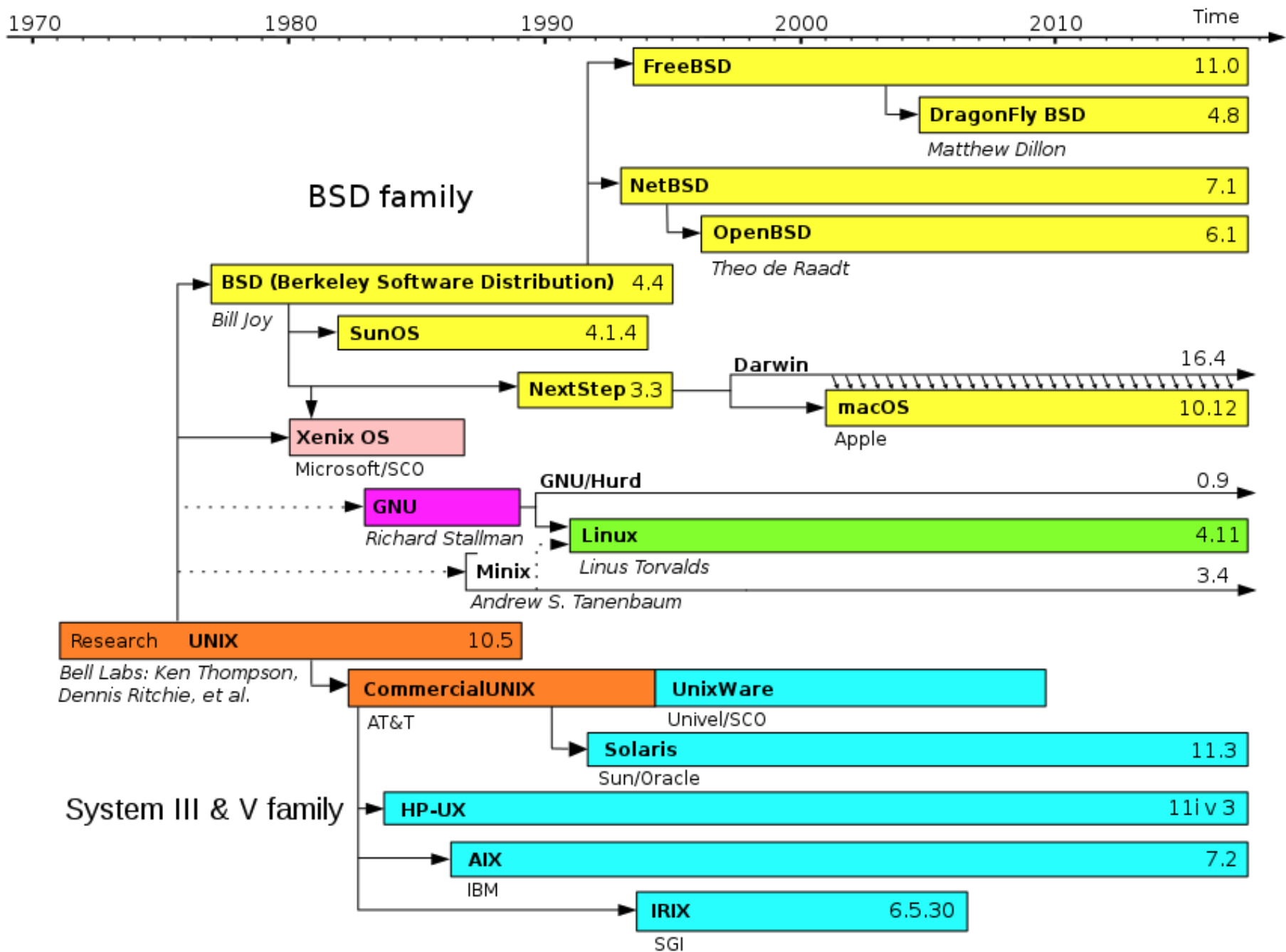
- Same file can have multiple names – links
 - But unique inode number
- `link()` – create a link
- `unlink()` – delete file
- Example, create a temporary file

```
fd = open("/tmp/xyz", O_CREATE|O_RDWR);  
unlink("/tmp/xyz");
```

fork() Create a process
exit() Terminate the current process
wait() Wait for a child process to exit
kill(pid) Terminate process pid
getpid() Return the current process's pid
sleep(n) Sleep for n clock ticks
exec(filename, *argv) Load a file and execute it
sbrk(n) Grow process's memory by n bytes
open(filename, flags) Open a file; the flags indicate read/write
read(fd, buf, n) Read n bytes from an open file into buf
write(fd, buf, n) Write n bytes to an open file
close(fd) Release open file fd
dup(fd) Duplicate fd
pipe(p) Create a pipe and return fd's in p
chdir(dirname) Change the current directory
mkdir(dirname) Create a new directory
mknod(name, major, minor) Create a device file
fstat(fd) Return info about an open file
link(f1, f2) Create another name (f2) for the file f1
unlink(filename) Remove a file

Xv6 system calls

In many ways xv6 is an OS
you run today



Evolution of Unix and Unix-like systems

Backup slides



Speakers from the 1984 Summer Usenix Conference (Salt Lake City, UT)

Pipes

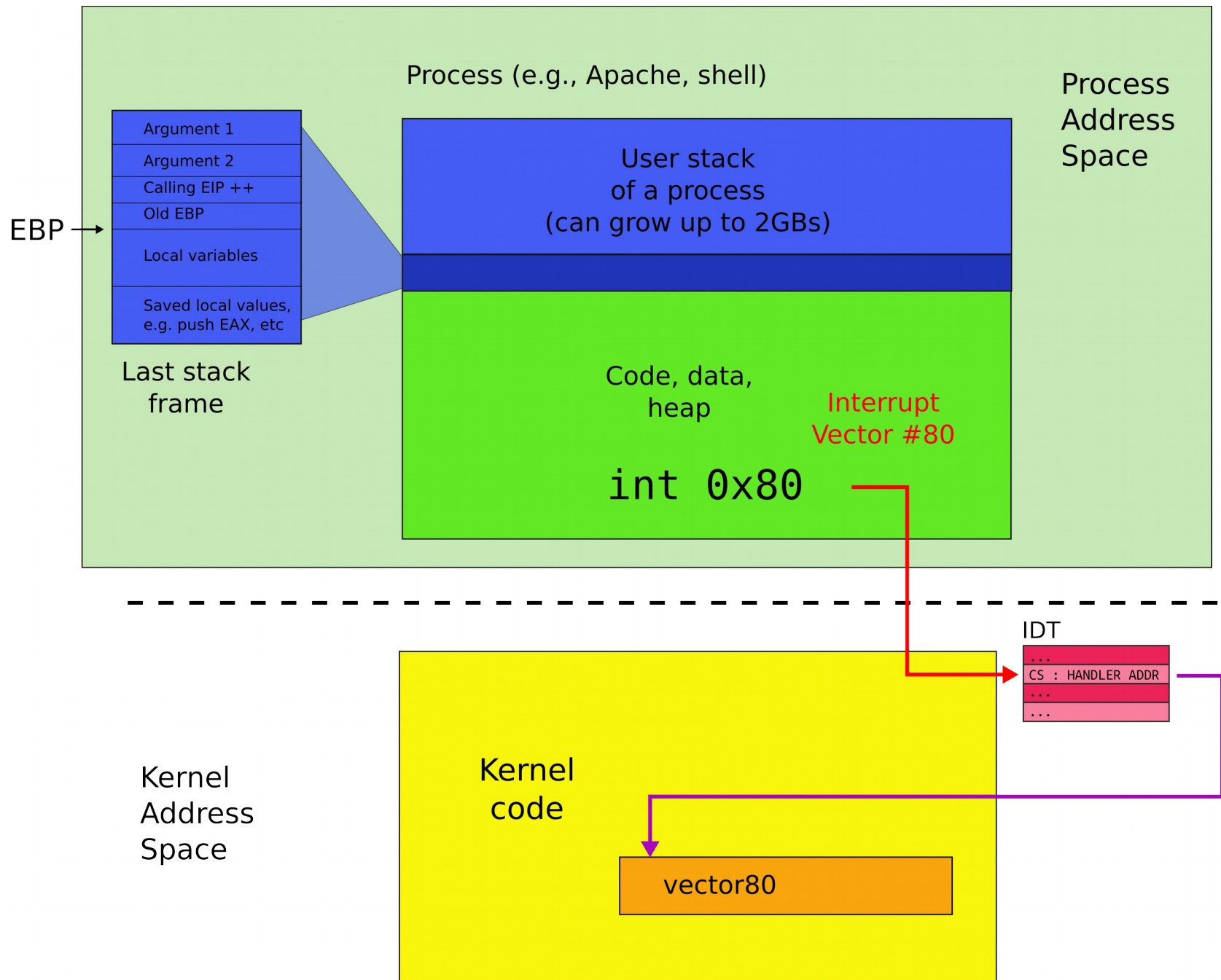
- Shell composes simple utilities into more complex actions with pipes, e.g.

```
grep FORK sh.c | wc -l
```

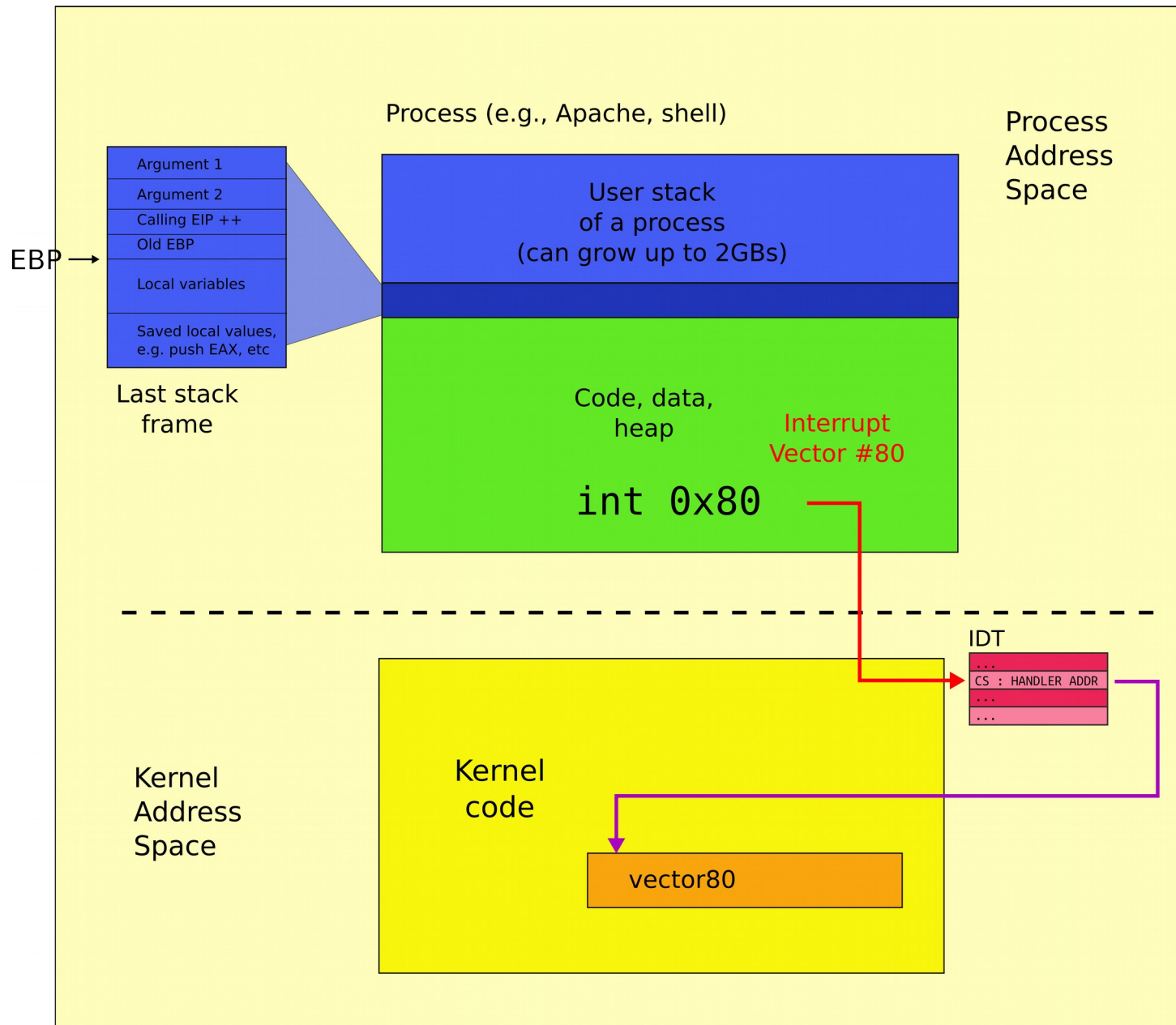
- Create a pipe and connect ends

System call

User address space



Kernel address space



Kernel and user address spaces

